



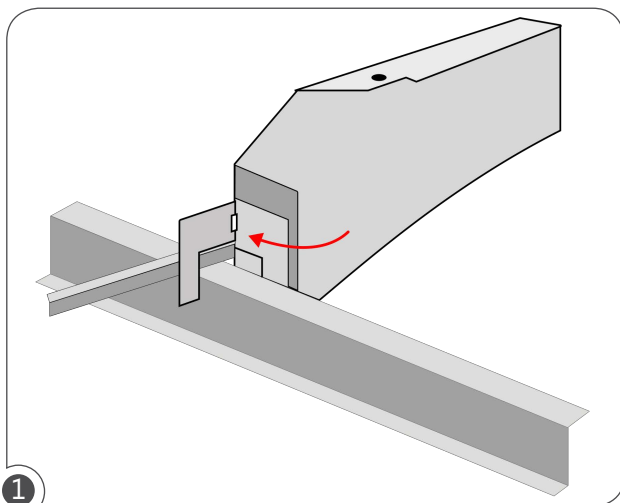
14126 INSTALLATION INSTRUCTIONS FOR RECESSED INDIRECT LED TROFFER LIGHT

- This product should be installed, inspected, and maintained by a qualified electrician only, in accordance with the NEC (National Electric Code) and all local codes.
- Turn off electrical power before inspection, installation or removal.
- Use only UL (or other NTRL) approved wire for input/output connections.
- Make sure LEDs and drivers are cool to touch when performing maintenance.
- Make sure the supply voltage is the same as the rated voltage of the luminaire.
- Do not install in a hazardous atmosphere, except where the ambient temperature does not exceed the rated operating temperature of the fixture.
Keep tightly closed when in operation

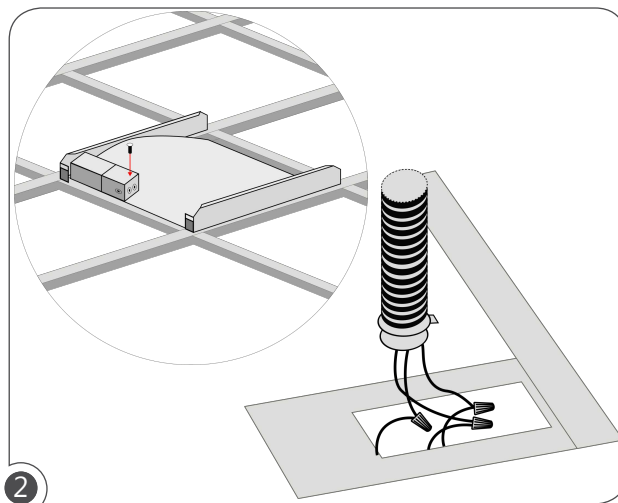
Electrical Wiring Preparation:

- Check if the local voltage range is correspond with the working voltage of the fixture. Use min. 75°C supply.
- The grounding and bonding of the overall system shall be done in accordance with NEC Article 600 and local codes.
- Follow all applicable safety procedures and use Personal Protective Equipment such as hardhats, safety glasses, reflective vest, electrical safety gloves, fall protection equipment and safety toe boots during the installation, operation, and maintenance of the luminaire.

T-BAR Installation:



Insert the fixture onto T-Bar Grid and bend out T-Bar mounting tab to 90° on each corner and position the fixture on the T-grid.



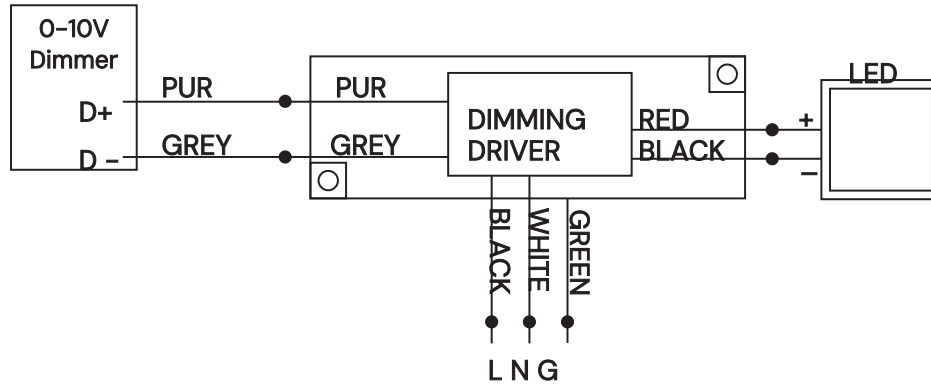
Unscrew and open the driver box and make wire connections using one of the knockouts then close the driver box.



Close the driver box.

14126-22 | 14126-24 - INSTALLATION INSTRUCTIONS FOR RECESSED INDIRECT LED TROFFER LIGHT

WIRING DIAGRAM



WATTAGE ADJUSTABLE

| 2X2 FIXTURE PERFORMANCE | | | | | | | | |
|---------------------------|-----|-----|--------------------------|----|----|--------------------------|----|-----|
| ON | OFF | OFF | OFF | ON | ON | OFF | ON | OFF |
| 1 | 2 | 3 | 1 | 2 | 3 | 1 | 2 | 3 |
| Output Current: 1000mA | | | Output Current: 890mA | | | Output Current: 760mA | | |
| Power: 40W | | | Power: 35W | | | Power: 30W | | |

| 2X4 FIXTURE PERFORMANCE | | | | | | | | |
|---------------------------|----|----|--------------------------|----|----|--------------------------|-----|----|
| ON | ON | ON | OFF | ON | ON | OFF | OFF | ON |
| 1 | 2 | 3 | 1 | 2 | 3 | 1 | 2 | 3 |
| Output Current: 1100mA | | | Output Current: 890mA | | | Output Current: 680mA | | |
| Power: 50W | | | Power: 40W | | | Power: 30W | | |

14126-22 | 14126-24 - INSTALLATION INSTRUCTIONS FOR RECESSED INDIRECT LED TROFFER LIGHT

TOOL(S) NEEDED:

Option 1) Cordless drill and an elbow or L-shape adapter with Philips Insert Bit extension.



Option 2) Flexible Screwdriver with Philips Insert Bit.

