

Project Name: \_\_\_\_\_ Type: \_\_\_\_\_ Quantity: \_\_\_\_\_

### INTENDED USE

The Deep Regressed Commercial LED Recessed Downlight features a high-efficiency external LED driver that offers continuous dimming down to 10% and is compatible with various control types. It includes CCT selectable and wattage adjustable functions, ensuring maximum light compatibility via a convenient dip switch. The spun aluminum reflector with a haze finish and white trim ring creates a shadow-free effect, while the deeply regressed diffusing lens hides the LEDs from direct view. The light engine is directly mounted to the aluminum trim, providing superior thermal management for extended lifespan. Ideal for recessed applications, it suits a variety of commercial and public spaces, including shopping malls, hospitals, airports, and hotel lobbies.

### FEATURES

- Construction:** Aluminum
- Mounting:** Designed with spring clips for remodel applications with existing drywall, and with frame kit for new constructions applications.
- Engine:** IC Rated and Non-IC rated
- Finish:** White ring (Haze reflector)
- Color temperature:** 3000K, 3500K, and 4000K
- CRI:** 80+
- Voltage:** 120-277V
- Driver:** External 1-10V, dims down to 10%
- Operating Temperature:** -20°C ~ 40°C
- Warranty:** 5 years carefree for parts & components (Labor not included)
- Listings:** cULus listed for damp locations, Energy Star Listed, Tested to IESNA LM-79 and LM-80, IC-Rated.



Size	Lumens			Type
4"	2025lm 27W	1600lm 20W	1148lm 14W	Non-IC
6/8/10"	3500lm 40W	2300lm 27W	1500lm 18W	IC Rated
6/8/10"	6800lm 80W	5500lm 65W	4200lm 50W	Non-IC

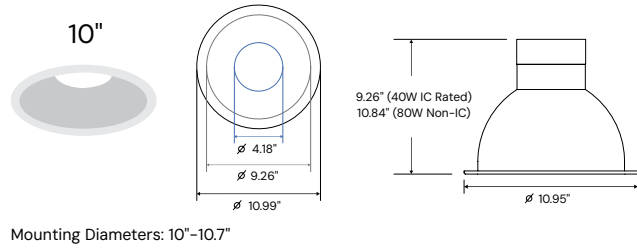
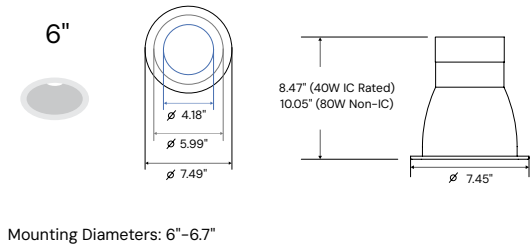
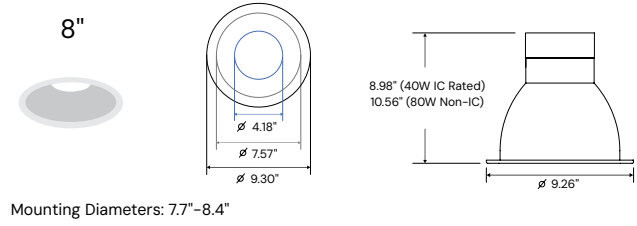
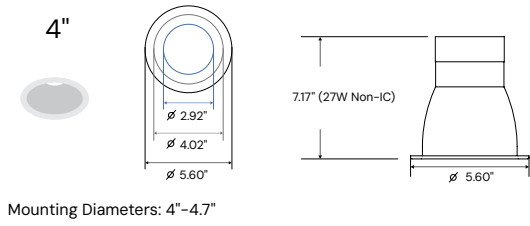


### ORDERING INFORMATION Example:

Model	Size	Wattage   CCT		Mounting		Options			
14124	4	4 Inches	27-30 <sup>1</sup>	27W	30/35/40K	FK <sup>4</sup>	Frame Kit (New Construction)	EM8X <sup>4</sup>	8W External
	6	6 Inches	40-30 <sup>2</sup>	40W	30/35/40K	SC <sup>5</sup>	Spring Clips (Remodel)		Emergency Back-up Battery
	8	8 Inches	80-35 <sup>3</sup>	80W	35K			EM25X <sup>6</sup>	25W External
	10	10 Inches	80-40 <sup>3</sup>	80W	40K				Emergency Back-up Battery

<sup>1</sup> 27W only available for size 4" Non-IC rated. <sup>2</sup> 40W only available for size 6", 8", and 10" IC Rated. <sup>3</sup> 80W only available for size 6", 8", and 10" Non-IC rated. <sup>4</sup> See further information in page 3. <sup>5</sup> Only available for sizes 6", 8", and 10". See page 2 for further information. <sup>6</sup> Available for 40W only.

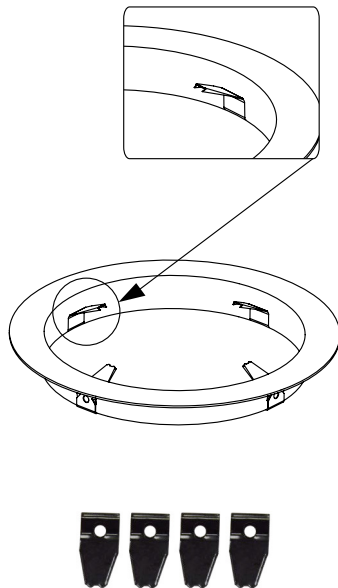
## DIMENSIONS



## MOUNTING

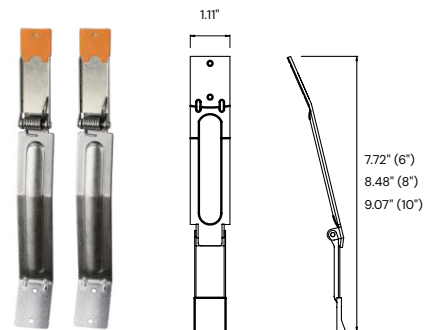
### Standard Clips

Designed to tighten the fixture in case of ceiling gaps being present. Standard clips are included and optional for mounting.

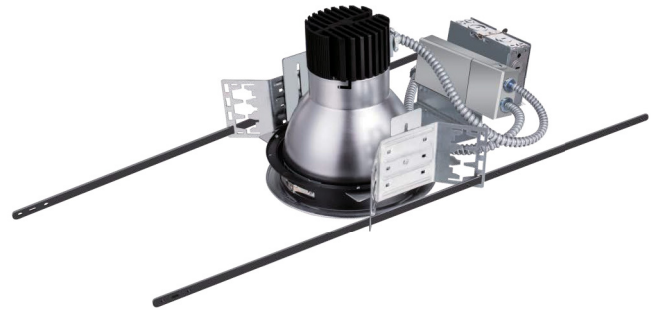
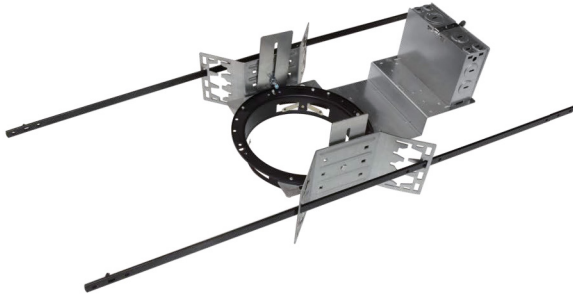


### Spring Clips (Remodel)

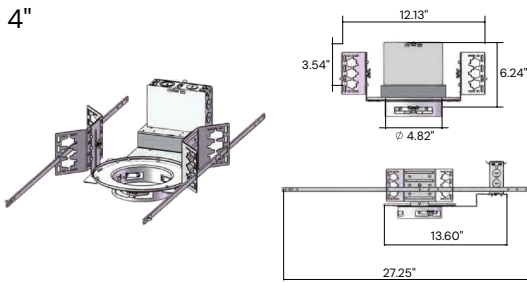
Designed to secure the light to drywall, made of premium material for durability and available for 6/8/10" models.



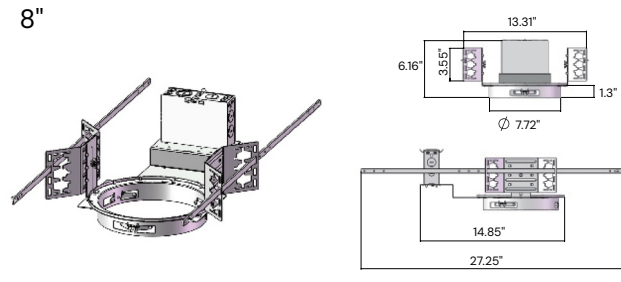
## FRAME KIT (NEW CONSTRUCTION)



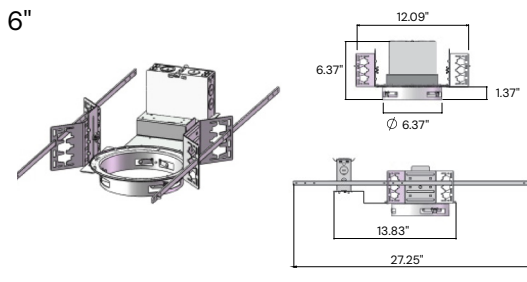
4"



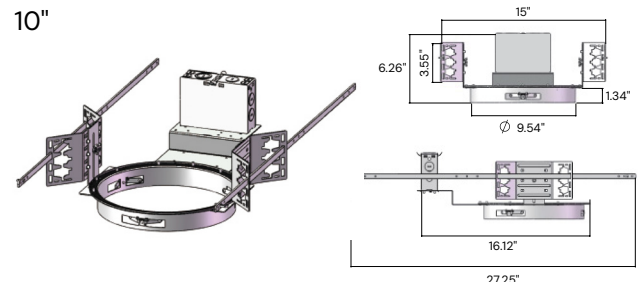
8"



6"



10"



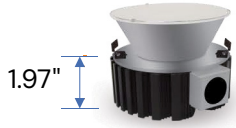
## EMERGENCY BATTERY

Fixture Efficac	Lumen Output
80 lm/W	640 lm



The optional external emergency back-up battery ensures reliable lighting during power outages. When AC power fails, it instantly switches to emergency mode, providing illumination for up to 120 minutes. Once AC power is restored, it automatically returns to charging mode, meeting critical life-safety lighting requirements.

## ENGINE



4" 27W Non-IC



6/8/10" 40W IC Rated



6/8/10" 80W Non-IC

## REFLECTORS



4-Inches



6-Inches



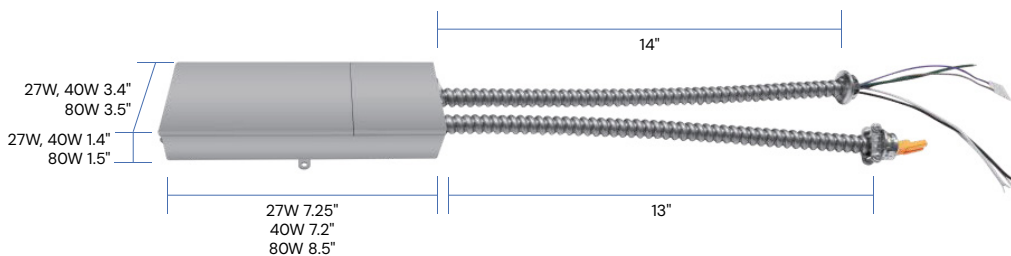
8-Inches



10-Inches

## EXTERNAL DRIVER

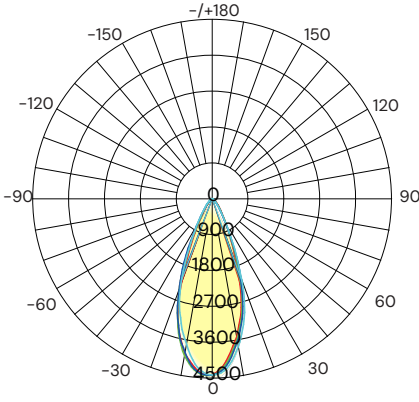
Isolated and class 2 output led driver that accommodates input voltages from 120-277 volts AC or 110-347 volts AC, dimming with the use of most 1-10V dimmers.





## PHOTOMETRY

14124-4



AVERAGE BEAM ANGLE(50%):  
39.8°

Test Number: C4-  
D27W-35T Lumens: 2277.5  
Lm  
Watts: 25.99 W  
LPW: 87.64 Lm/W  
CCT: 3500K

UNIT:cd  
— C0/180,38.5°  
— C30/210,39.6°  
— C60/240,40.5°  
— C90/270,40.5°

### Zonal Flux Diagram

Y	C0	C45	C90	C135	C180
10	3526	3614	3773	3777	3951
20	1840	2066	2173	2290	2289
30	642.7	620.7	633.2	645.9	650.1
40	267.3	232.0	212.4	186.8	208.2
50	104.0	90.10	77.47	62.39	72.44
60	39.11	33.57	28.98	23.40	26.49
70	13.31	12.29	11.50	9.398	10.05
80	2.398	2.615	3.295	2.316	2.221
90	0.1544	0.0725	0.0700	0.0748	0.0755
100	0.0794	0.0794	0.0934	0.0864	0.0794
110	0.0794	0.1074	0.1401	0.1260	0.1335
120	0.1587	0.2077	0.2662	0.2522	0.2522
130	0.3638	0.4527	0.5326	0.5250	0.4906
140	1.012	1.181	1.243	1.153	1.084
150	2.687	2.862	2.845	2.633	2.519
160	4.998	5.053	5.034	4.790	4.666
170	7.029	7.112	7.158	6.916	6.752
180	8.081	8.177	8.179	8.207	8.086
DEG	LUMINOUS INTENSITY:cd				

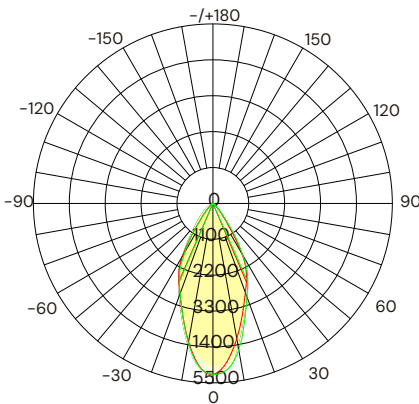
### Zonal Lumens

Y	φ total
0-10	386.8
10-20	1227
20-30	1816
30-40	2068
40-50	2187
50-60	2240
60-70	2262
70-80	2270
80-90	2271
90-100	2271
100-110	2271
110-120	2271
120-130	2272
130-140	2272
140-150	2273
150-160	2275
160-170	2277
170-180	2278
DEG	UNIT: lm

### Luminance cd/(m2)

G(DEG)	C0/180	C90/270
85	863	1168
80	1748	2402
75	3276	3333
70	4927	4256
65	7042	5477
60	9902	7336
55	14117	10335
50	20479	15256
45	30007	23078

14124-8 (40W)



AVERAGE BEAM ANGLE(50%):  
46.9°

Lumens: 3454.8  
Lm Watts: 40 W  
LPW: 86.37 Lm/W  
CCT: 3000K

UNIT:cd  
— C0/180,23.6,23.1  
— C90/270,23.2,24.0

### Zonal Flux Diagram

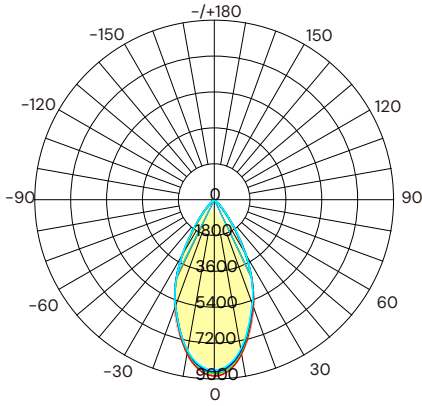
Y	C0	C45	C90	C135	C180
10	4207	4415	4558	4486	4303
20	2908	2989	3048	3017	2951
30	1783	1845	1841	1886	1860
40	404.4	449.3	484.6	473.0	456.1
50	86.32	93.34	102.6	97.79	98.80
60	28.65	31.97	35.80	31.96	31.76
70	11.68	13.27	14.63	12.86	12.69
80	4.325	4.949	5.424	4.908	4.774
90	0.0042	0.0048	0.0057	0.0085	0.0064
100	0.0030	0.0028	0.0022	0.0028	0.0042
110	0.0069	0.0047	0.0056	0.0044	0.0083
120	0.0130	0.0125	0.0130	0.0125	0.0155
130	0.0296	0.0321	0.0255	0.0322	0.0305
140	0.0873	0.0858	0.0741	0.0856	0.0737
150	0.1587	0.1440	0.1159	0.1539	0.1406
160	0.1934	0.2072	0.1962	0.2238	0.2125
170	0.1596	0.2089	0.2004	0.2279	0.2055
180	0.1087	0.1105	0.1023	0.0966	0.1065
DEG	LUMINOUS INTENSITY:cd				

### Zonal Lumens

Y	φ total
0-10	456.9
10-20	1464
20-30	2576
30-40	3195
40-50	3372
50-60	3423
60-70	3443
70-80	3452
80-90	3454
90-100	3454
100-110	3454
110-120	3455
120-130	3455
130-140	3455
140-150	3455
150-160	3455
160-170	3455
170-180	3455
DEG	UNIT: lm

## PHOTOMETRY

### 14124-8 (80W)



Lumens: 6288.5  
 Lm Watts: 80 W  
 LPW: 78.61Lm/W  
 CCT: 3000K

UNIT:cd  
 - C0/180,51.0 °  
 - C30/210,51.4 °  
 - C60/240,51.9 °  
 - C90/270,52.0 °

Zonal Flux Diagram

Y	C0	C45	C90	C135	C180
10	7872	7743	7625	7552	7858
20	5741	5648	5579	5538	5777
30	3072	3196	3154	3133	3168
40	863.6	934.3	953.4	979.2	923.3
50	154.7	156.7	165.2	184.7	180.9
60	31.91	32.07	35.00	42.64	40.87
70	11.69	11.21	11.99	13.96	13.43
80	4.327	4.261	4.534	4.810	4.632
90	0.1629	0.1966	0.1448	0.1684	0.1504
100	0.1616	0.1471	0.1497	0.1443	0.1623
110	0.2522	0.2166	0.2029	0.2166	0.2211
120	0.5132	0.4694	0.4464	0.4604	0.4604
130	1.495	1.490	1.513	1.454	1.427
140	4.095	4.071	4.131	3.953	4.054
150	8.045	7.940	7.982	7.733	7.987
160	12.49	12.36	12.22	11.98	12.40
170	16.29	16.02	15.74	15.54	16.30
180	17.76	17.60	17.17	17.10	17.83
DEG	LUMINOUS INTENSITY:cd				

Zonal Lumens

Y	φ total
0-10	775.2
10-20	2630
20-30	4656
30-40	5823
40-50	6169
50-60	6241
60-70	6261
70-80	6269
80-90	6271
90-100	6271
100-110	6272
110-120	6272
120-130	6273
130-140	6275
140-150	6278
150-160	6283
160-170	6287
170-180	6288
	UNIT: lm

Luminance cd/(m2)

G(°)	C0/180	C90/270
85	466	681
80	880	923
75	1033	1049
70	1207	1239
65	1530	1617
60	2255	2474
55	4114	4540
50	8505	9079
45	18529	21493





			
0-10 V	<a href="#">2100</a> <a href="#">2101</a> <a href="#">2102</a>	Diva DDTV	IP-710-DL

## COLOR TEMPERATURE GUIDE



<p><b>2700K</b></p> <p>WARM WHITE</p> <p>friendly personal intimate</p> <p>HOMES LIBRARIES RESTAURANTS</p> <p>X</p>	<p><b>3000K</b></p> <p>SOFT WHITE GLOW</p> <p>soft warm pleasing</p> <p>HOMES HOTEL ROOMS LOBBIES RETAIL STORES</p> <p>✓</p>	<p><b>3500K</b></p> <p>NEUTRAL GLOW</p> <p>sociable inviting non-threatening</p> <p>EXECUTIVE OFFICES RECEPTION AREAS SUPERMARKETS</p> <p>✓</p>	<p><b>4000K</b></p> <p>COOL WHITE GLOW</p> <p>neat clean efficient</p> <p>OFFICES CLASSROOMS MASS MERCHANTISERS SHOWROOMS</p> <p>✓</p>	<p><b>5000K</b></p> <p>DAYLIGHT GLOW</p> <p>bright cool alert</p> <p>GRAPHICS INDUSTRY HOSPITALS GALLERIES BEAUTY SALONS</p> <p>X</p>
---	--	---	--	---