

WARNING:



RISK OF FIRE AND ELECTRICAL SHOCK. FIXTURE MUST BE INSTALLED BY A QUALIFIED ELECTRICIAN ONLY IN ACCORDANCE WITH NATIONAL, LOCAL BUILDING AND ELECTRICAL CODES. DISCONNECT POWER AT ELECTRICAL PANEL BEFORE SERVICING.

14122 INSTALLATION INSTRUCTIONS FOR: 1.5-INCH ROUND MICRO RECESSED LED LIGHT

Please read all instructions prior to installation and keep for future reference!

1. Read and understand instructions completely before installing this luminaire.
2. If you are unfamiliar with electrical wiring have a qualified licensed electrician install this luminaire for you.
3. Check if the local voltage range corresponds with the working voltage of the fixture.
4. Do not install in a hazardous atmosphere, except where the ambient temperature does not exceed the rated operating temperature of the fixture.
5. Before proceeding the installation, be sure that the ceiling construction follows the proper requirements. See (FIG. B) as per your reference.

A) CEILING CUT-OUT:

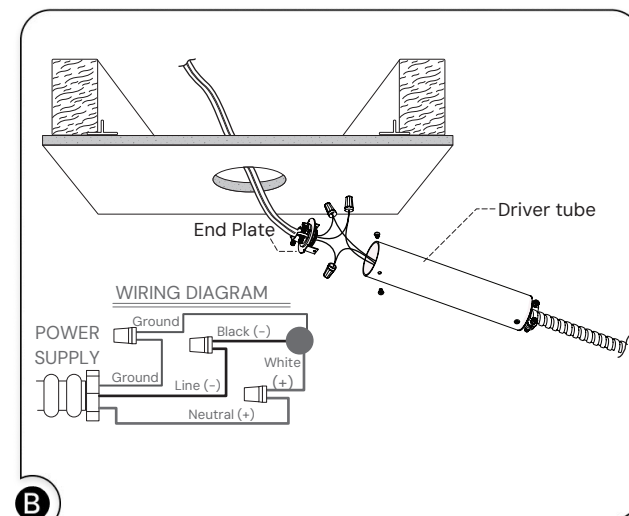
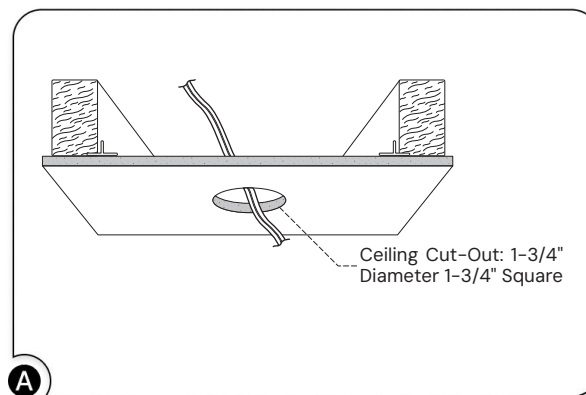
1. Trace circle or square on ceiling in desired location.
2. Cut hole accurately at 1.75" Diameter or 1.75" Square (see FIG. A).

B) ELECTRICAL CONNECTIONS:

1. WARNING- Before starting the wire connections, disconnect the power by turning off the circuit breaker or removing the fuse at the fuse panel. Turning the power off using the light switch is not sufficient to prevent electrical shock.
2. This luminaire must be connected with supply wire rated at 90 C. Most dwellings built before 1985 have supply wire rated at 60 C; consult a qualified electrician before installing this luminaire.
3. Connect the power source to the Driver tube End plate. Then, Make power Connections, (see FIG. B) Wiring Diagram use twist type wire connectors (by others) suitable for the size, type and number of wires.
4. After completing the wiring (be sure the wires are placed within the wiring box), replace End plate (see FIG. B).

CAUTION!

Ceiling insulation must be kept a minimum of 3" away from the sides of the housing. No insulation allowed on the top. Install housing at a minimum of 1/2" away from combustible material such as wooden ceiling joists, sub-flooring or roofing (FIG. E).



WARNING:



RISK OF FIRE AND ELECTRICAL SHOCK. FIXTURE MUST BE INSTALLED BY A QUALIFIED ELECTRICIAN ONLY IN ACCORDANCE WITH NATIONAL, LOCAL BUILDING AND ELECTRICAL CODES. DISCONNECT POWER AT ELECTRICAL PANEL BEFORE SERVICING.

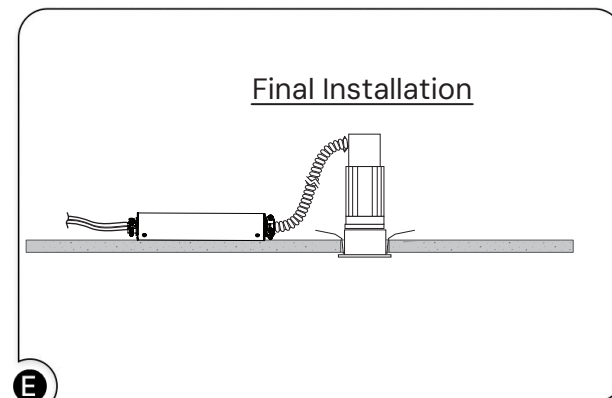
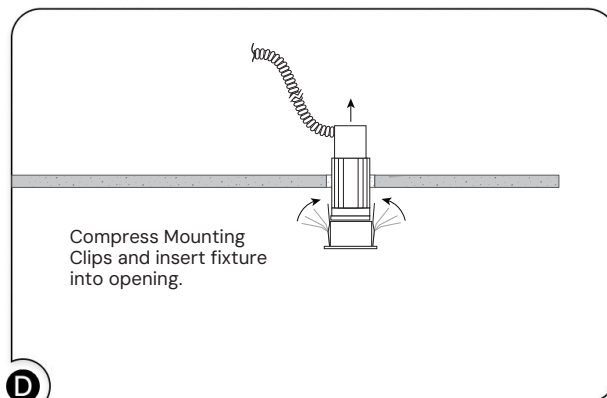
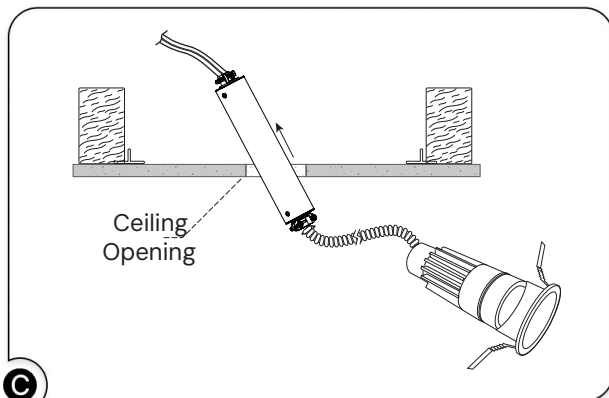
14122 INSTALLATION INSTRUCTIONS FOR: 1.5-INCH ROUND MICRO RECESSED LED LIGHT

INSTALL FIXTURE

1. Insert Driver tube into the ceiling opening, (see FIG. C).
2. Press the Mounting Clips of Trim and insert into the Opening fully until the clips will hold the Trim in place, (see FIG. D).

FINAL INSTALLATION:

1. (see FIG. E). NOTE: Ceiling thicknesses greater than 7/8" will not allow lamp to be tilted.



TOOL(S) NEEDED:

Cordless drill and an elbow or L-shape adapter with Philips Insert Bit extension.

