

Project Name:

Type:

Quantity:

## FIXTURE SPECIFICATIONS

### INTENDED USE

This round or square recessed product's easy to install, maintain or replace in steel and concrete structures. The wet location-approved light includes a range of color temperatures, making the four-inch product perfect for new, poured concrete construction installation projects. Deep, octagonal junction box included.

### PRODUCT FAMILY

- 14105-4-DIR** | 4-Inch Direct Concrete Recessed
- 14105-4-ADJ** | 4-Inch Adjustable Concrete Recessed

### ADDITIONAL FEATURES

**Construction:** Lasting quality, spot-welded die-cast aluminum ideal for poured concrete applications. Deep, octagonal junction box included with product. Simple, tool-free installation with twist & lock feature

**Profile:** Low profile fixture requires less than 4" of ceiling space

**CRI:** 93+

**Dimming:** TRIAC/ELV 5%

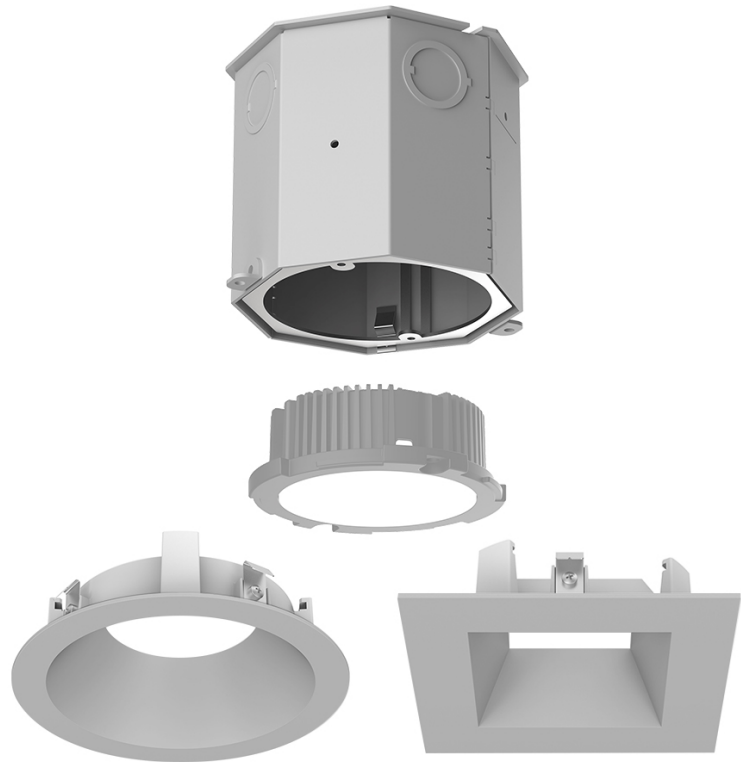
**Operating Temperature:** -20°C to 40°C (-4°F to 104°F)

**LED Life:** 50,000 hours

**Input Voltage:** 120/277V

**Listing:** cULus listed, ENERGY STAR® qualified, California Title 24 2016 JA8 compliant, UL Listed for Wet Location, Metallic outlet box certified UL514A, STC/IIC Sound Rated, Concrete Tight

**Warranty:** 5 years carefree for parts and components (labor not included)



Round

Square

Optional Glass Lenses



Frosted Closed

Frosted Open

## ORDERING INFORMATION Example: (14105-4-DIR-R-12-ST-WH-30K)

Model	Shape	Lumens/Watts	Beam Spread	Glass Lens	Trim Finish	Color Temp
<b>14105-4-DIR</b>	<b>R</b> Round	<b>10</b> 750 lms / 9.5W	<b>ST<sup>1</sup></b> Standard	<b>Blank</b> None	<b>WH</b> White	<b>27K</b> 2700K
	<b>S<sup>4</sup></b> Square	<b>12</b> 1000 lms / 12.5W	<b>WW<sup>2,5</sup></b> Wall Wash	<b>FO<sup>3</sup></b> Frosted Open	<b>BK</b> Black	<b>30K</b> 3000K
				<b>FC<sup>3</sup></b> Frosted Closed	<b>SLW</b> Silver Reflector/ White Ring	<b>35K</b> 3500K
						<b>40K</b> 4000K

<sup>1</sup> Provides approx. 60° diffused light

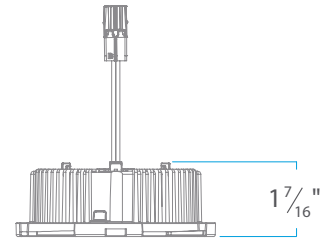
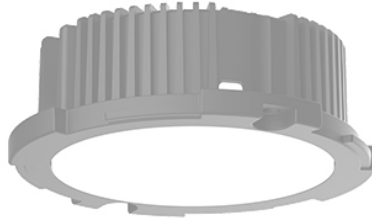
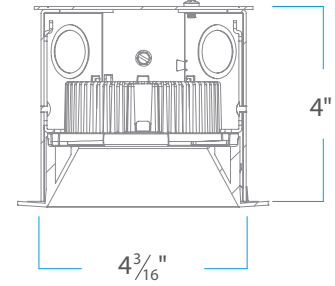
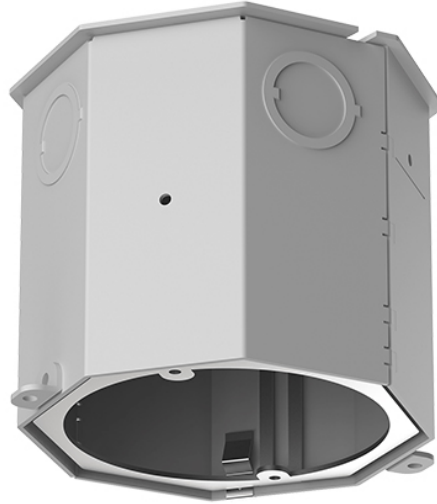
<sup>2</sup> Provides approx. 15° diffused light

<sup>3</sup> Available only in round shape, white finish, and standard beam spread

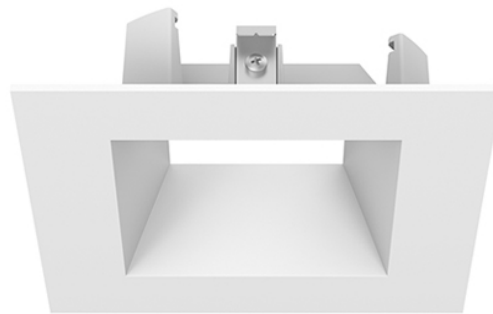
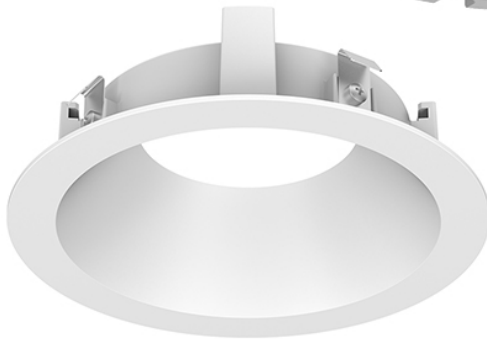
<sup>4</sup> Square Trim is only available in WH

<sup>5</sup> Must be paired with BLANK glass lens option

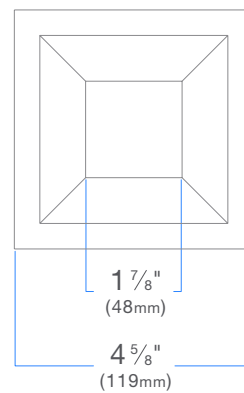
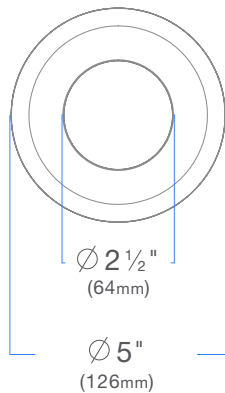
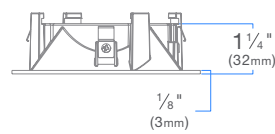
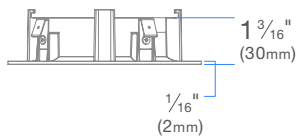
FIXTURE DIMENSIONS



Round



Square



## COMPATIBLE DIMMERS

### Recommended Phase-control Dimmers (Dims down to 5%)

Brand	Series	Model Number	Max Load DRD2M7	Max Load DRD2M10
Control 4	Control 4	C4-APD120	10	9
Cooper	Decorator	DLC03P, DAL06P	25	20
Legrand	Adorne	ADTP703TU	35	30
Lutron	Caseta	PD-6WCL	12	10
	CL Series	AYCL-153, CTCL-153, DVCL-153, LGCL-513, SCL-153, TGCL-513	12	10
	CL Series	AYCL-253, DVCL-253	20	15
	Grafik Eye 3000	QSGR-3P	30	25
	Grafik Sys / Homeworks	RPM-4A	25	20
	Grafik Sys / Homeworks	RPM-4U	30	25
	Maestro CL	MACL-153M, MSCL-OP153M, MSCL-VP153M	12	10
	Maestro Wireless	MRF2-6ELV, MRF2-6CL	12	10
	Radio RA	RRD-6NA, RRD-6CL, RRD-6D	12	10

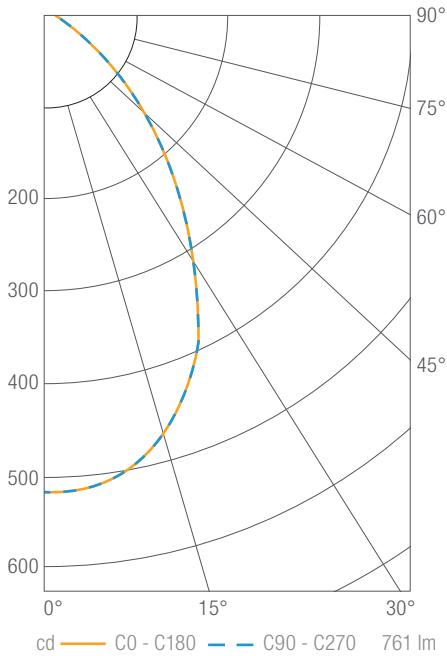
### Compatible Phase-control Dimmers<sup>1</sup> (Dims down to 20%)

Brand	Series	Model Number	Max Load DRD2M7	Max Load DRD2M10
Cooper	Slide	SLC03P, SAL06P	25	20
Legrand	Harmony	H703PTU, HCL453P	30	25
Leviton	IllumaTech Slide	IPE04	25	20
	SureSlide	6621, 6674	10	10
Lutron	Diva	DV-600	12	10
	Maestro	MA-600	12	9
	Maestro ELV	MAELV-600, MSCELV-600	35	30
	Maestro Wireless	MRF2-6ND	12	10
	Power Booster	PHPM-PA, PHPM-WBX	25	20
Philips	Sunrise	SR400RPC120, ZP260QEW	20	15
Watt Stopper	Digital Light Management	LMRC-221	160	150
	Dimming Sensor	PW-100D	14	12

<sup>1</sup> Dimmer compatibility reflects performance compatibility only. Please reference your local codes for application.

**PHOTOMETRY**

**14105-4-DIR-R-ST-WH (750 lm, 3000K)**



Luminous Intensity

Gamma	C 0°
0°	518
5°	516
10°	506
15°	484
20°	447
25°	398
30°	335
35°	263
40°	196
45°	147
50°	110
55°	79
60°	54
65°	36
70°	23
75°	14
80°	9
85°	5
90°	2

Values in candela

Zonal Lumen Summary

Zone	Lumens	Luminaire %
0-30	361	48
0-40	526	69
0-60	706	93
0-90	761	100
0-180	761	100

Illuminance Chart

Distance from LED	Foot Candles	Diameter
3'	58	4.2'
6'	14	8.5'
9'	6	12.7'
12'	4	16.6'

Beam Angle: 70°