

Project Name:

Type:

Quantity:

FIXTURE SPECIFICATIONS

INTENDED USE

Our round, adjustable damp-location-rated LED recessed light is easy to install, maintain or replace in steel and concrete structures. The IC-rated fixture includes an integrated driver, full 360° directional aiming, 45° tilt, and three beam spread options, making this four-inch product perfect for new, poured concrete new construction installation projects. Deep, octagonal junction box included.

PRODUCT FAMILY

- 14105-4-DIR** | 4-Inch Direct Concrete Recessed
- 14105-4-ADJ** | 4-Inch Adjustable Concrete Recessed

ADDITIONAL FEATURES

Construction: Lasting quality, spot-welded die-cast aluminum ideal for poured concrete applications. Deep, octagonal junction box included with product. Simple, tool-free installation with twist & lock feature

Profile: Low profile fixture requires less than 4" of ceiling space
CRI: 90+

Dimming: TRIAC/ELV 5%

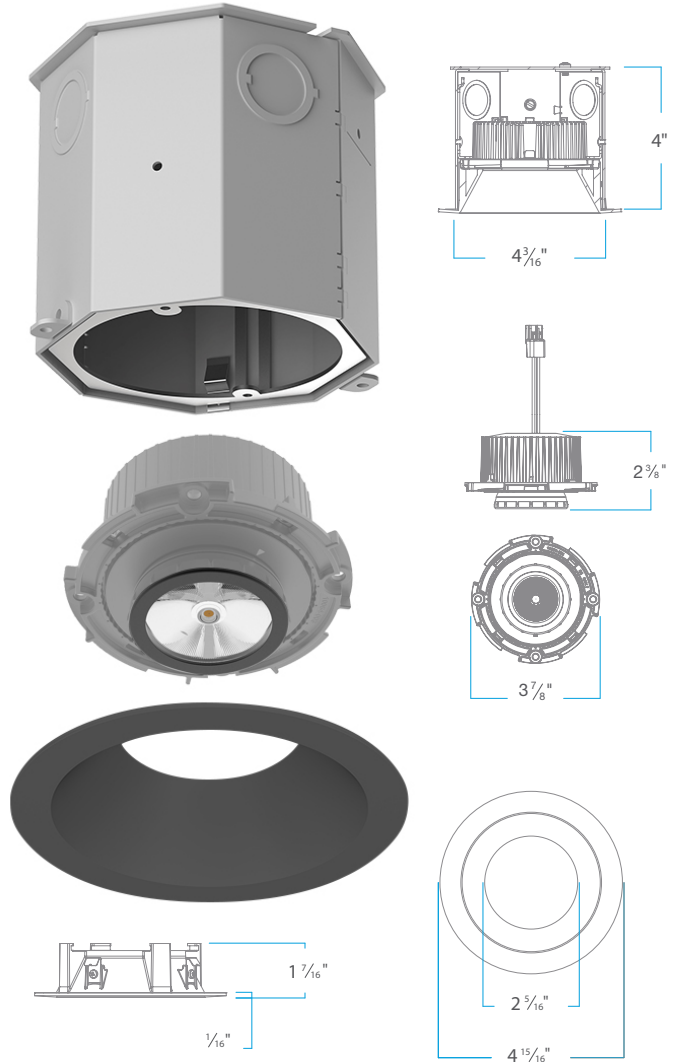
Operating Temperature: -20°C to 40°C (-4°F to 104°F)

Input Voltage: 120/277V

LED Life: 50,000 hours

Listing: cULus listed, ENERGY STAR® qualified, California Title 24 2016 JA8 compliant, UL Listed for Damp Location, Metallic outlet box certified UL514A, STC/IIC Sound Rated, Concrete Tight, IC rated

Warranty: 5 years carefree for parts and components (labor not included)



Optional Glass Lenses



ORDERING INFORMATION Example: (14105-4-ADJ-10-NF30-WH-30K)

Model	Lumens/Watts	Beam Spread	Glass Lens	Trim Finish	Color Temp
14105-4-ADJ	10 750 lms / 9.5W	SP20 15° Spot	Blank None	WH White	27K 2700K
	12 1000 lms / 12.5W	NF30 25° Narrow Flood	FO Frosted Open	BK Black	30K 3000K
		FL40 40° Flood	FC Frosted Closed	SLW Silver Reflector/ White Ring	35K 3500K
					40K 4000K

¹ Available only in white finish, and standard beam spread

COMPATIBLE DIMMERS

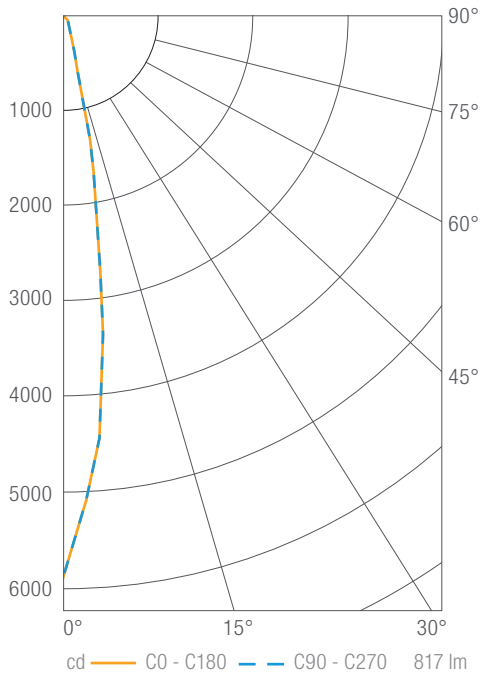
Recommended Phase-control Dimmers (Dims down to 5% nominal measured light output)

Brand	Series	Model Number	Max Load DRD2M7	Max Load DRD2M10
Control 4	Control 4	C4-APD120	10	9
Cooper	Decorator	DLC03P, DAL06P	25	20
Legrand	Adorne	ADTP703TU	35	30
Lutron	Caseta	PD-6WCL	12	10
	CL Series	AYCL-153, CTCL-153, DVCL-153, LGCL-513, SCL-153, TGCL-513	12	10
	CL Series	AYCL-253, DVCL-253	20	15
	Grafik Eye 3000	QSGR-3P	30	25
	Grafik Sys / Homeworks	RPM-4A	25	20
	Grafik Sys / Homeworks	RPM-4U	30	25
	Maestro CL	MACL-153M, MSCL-OP153M, MSCL-VP153M	12	10
	Maestro Wireless	MRF2-6ELV, MRF2-6CL	12	10
	Radio RA	RRD-6NA, RRD-6CL, RRD-6D	12	10

Compatible Phase-control Dimmers¹ (Dims down to 20% nominal measured light output)

Brand	Series	Model Number	Max Load DRD2M7	Max Load DRD2M10
Cooper	Slide	SLC03P, SAL06P	25	20
Legrand	Harmony	H703PTU, HCL453P	30	25
Leviton	IllumaTech Slide	IPE04	25	20
	SureSlide	6621, 6674	10	10
Lutron	Diva	DV-600	12	10
	Maestro	MA-600	12	9
	Maestro ELV	MAELV-600, MSCELV-600	35	30
	Maestro Wireless	MRF2-6ND	12	10
	Power Booster	PHPM-PA, PPHM-WBX	25	20
Philips	Sunrise	SR400RPC120, ZP260QEW	20	15
Watt Stopper	Digital Light Management	LMRC-221	160	150
	Dimming Sensor	PW-100D	14	12

¹ Dimmer compatibility reflects performance compatibility only. Please reference your local codes for application.

PHOTOMETRY
14105-4-ADJ-SP20-WH-30K (750 lm, 3000K)

Luminous Intensity

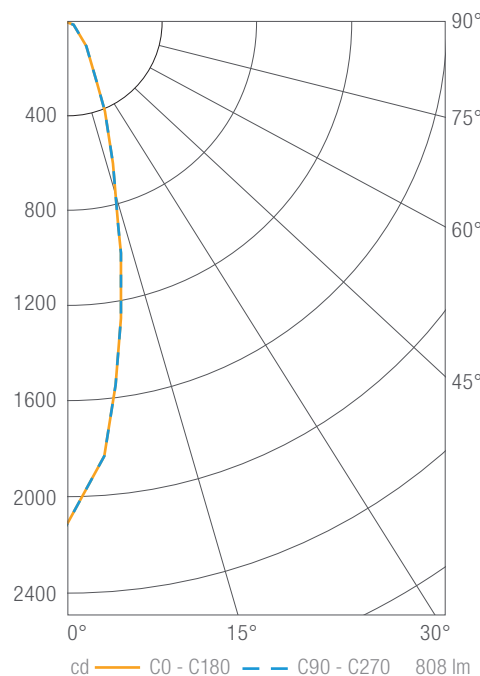
Gamma	C 0°
0°	5897
5°	4418
10°	1911
15°	561
20°	280
25°	165
30°	117
35°	87
40°	69
45°	57
50°	47
55°	38
60°	31
65°	23
70°	16
75°	10
80°	4
85°	1
90°	0

Values in candela
Zonal Lumen Summary

Zone	Lumens	Luminaire %
0-30	645	79
0-60	781	96
0-180	817	100

Illuminance Chart

Distance from LED	Foot Candles	Diameter
3'	655	0.8'
6'	164	1.7'
9'	73	2.5'
12'	41	3.3'

Beam Angle: 16°
14105-4-ADJ-NF30-WH-30K (750 lm, 3000K)

Luminous Intensity

Gamma	C 0°
0°	2105
5°	1826
10°	1282
15°	800
20°	497
25°	310
30°	201
35°	137
40°	98
45°	73
50°	57
55°	45
60°	35
65°	23
70°	12
75°	5
80°	3
85°	2
90°	0

Values in candela
Zonal Lumen Summary

Zone	Lumens	Luminaire %
0-30	573	71
0-40	668	83
0-60	773	96
0-90	808	100
0-180	808	100

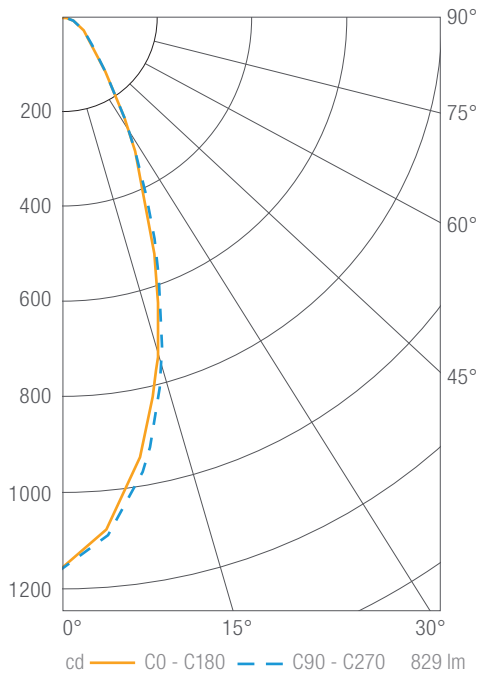
Illuminance Chart

Distance from LED	Foot Candles	Diameter
3'	234	1.3'
6'	58	2.6'
9'	26	3.9'
12'	15	5.2'

Beam Angle: 28°

PHOTOMETRY

14105-4-ADJ-FL40-WH-30K (750 lm, 3000K)



Luminous Intensity

Gamma	C 0°
0°	1158
5°	1081
10°	941
15°	765
20°	576
25°	414
30°	288
35°	192
40°	130
45°	96
50°	76
55°	61
60°	49
65°	38
70°	28
75°	18
80°	10
85°	4
90°	0

Values in candela

Zonal Lumen Summary

Zone	Lumens	Luminaire %
0-30	510	62
0-40	633	76
0-60	766	92
0-90	829	100
0-180	829	100

Illuminance Chart

Distance from LED	Foot Candles	Diameter
3.0'	129	2.2'
6.0'	32	4.5'
9.0'	14	6.7'
12.0'	8	9.0'

Beam Angle: 41°



SLW Silver Reflector/
White Ring



BK Black