

FEATURES & SPECIFICATIONS

INTENDED USE

The **Node Architectural LED Emergency Down Light** is a high-output miniature recessed fixture with a low voltage battery disconnect feature to protect the battery from severe damage during prolonged power failures. The Node is ideal for low to medium height ceilings in commercial and architectural applications.

DETAILS

**W** 7.75" x **L** 12.25"

**Test Switch:** Easily accessible push-to-test switch for maintenance alerts and self-diagnostic monitoring of LED status, battery capacity, and charger function

**Construction:** Integral cast-aluminum, heat sink design  
Pre-wired housing adjusts up to 1-1/4" ceiling thickness  
Transient Surge Protection on AC input

Short Circuit/Overload and Over Temperature Protection

**Junction Box:** Pre-wired heavy duty 16-gauge, die-formed galvanized steel, 64 cubic-inch for a maximum of (8) #12 AWG wires

**Mounting:** Suitable for new construction installations only

**Reflector:** Heavy gauge one piece, flanged glare-free reflector

ADDITIONAL FEATURES

**Voltage:** 120-277 AC 50/60 Hz

**Wattage:** 19W

**Lumens:** 1200 lms / **Emergency Lumens:** 750 lms

**CRI:** 80

**Power Factor:** >.90

**Life:** 50,000 Hours

**Operating Temperature:** 14°F (-10°C)-176°F (80°C)

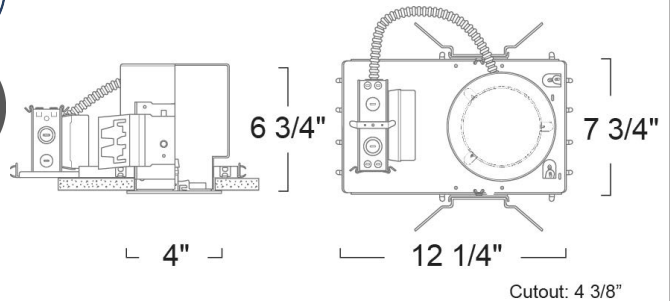
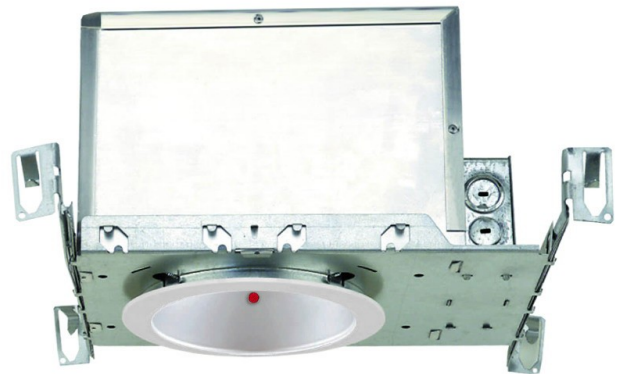
**Emergency Operating Temperature:** -32°F (0°C)-104°F (40°C)

**Warranty:** Recommended for applications where ambient temperatures do not exceed 95°F (35°C)

Use of surge protectors recommended on the power entering LED Housings

Surge damage is not covered by warranty

**Listings:** ETL/cETL listed to UL1598 and UL8750. Suitable for damp and wet locations



Ordering Information:

Example: (14084-WH-010)

Model	Beam Spread	Color Temp	Reflector Finish	Dimming
<input type="text" value="14084"/>	<input type="text" value="(Blank) 45° Flood"/>	<input type="text" value="(Blank) 3000K"/>	<input type="text" value="WH All White"/>	<input type="text" value="(Blank) Non-Dimming"/>
	<input type="text" value="60WF 60° Wide Flood"/>	<input type="text" value="27K 2700K"/>	<input type="text" value="BL All Black"/>	<input type="text" value="010 0-10V Dimming"/>
		<input type="text" value="35K 3500K"/>	<input type="text" value="NM All Natural Metal"/>	
		<input type="text" value="40K 4000K"/>	<input type="text" value="SW Satin Reflector/White Ring"/>	