

Outdoor Installation (Wet Location)

• **Danger:** Always disconnect power before wiring, or maintenance. Fixture must be installed by a qualified electrician. Do not install in locations where water collects and/or stands for prolonged periods of time. Fixture must always be installed according to local and national electrical codes, rules & regulations. Fixture must be installed on a circuit protected by Ground Fault Circuit Interrupter (GFCI).

• **Warning:** The joint MUST be sealed between the mounting surface (e.g., wall, ground, ceiling, etc.) and the fixture with an appropriate sealing / caulking compound to provide a watertight seal. Seal all conduit opening(s) and opening(s) from water entry. Before service ensure fixture is cool to touch. Always ensure that all gaskets and sealing surfaces are free of dirt and debris.

LED fixture(s), LED driver(s) and LED electrical components are more precise electrically than standard non LED products (e.g. Incandescent, Compact Fluorescent, H.I.D., etc.).

Indoor Installation for Type IC (Dry or Damp Location)

Important: Please read and understand all instructions completely before installing this fixture.

WARNING: Fixture installation (and use) and all electrical connections must be in accordance with local and National Electrical Codes (N.E.C.) rules, regulations and standards. If you are unfamiliar with installing fixture(s), accessories and/or electrical wiring have a qualified licensed electrician install this fixture for you. Fixture should be installed by a qualified electrician.

WARNING: RISK OF SHOCK. House electric current can cause painful shock or serious injury.

WARNING: Always disconnect power before fixture installation, wiring, or maintenance.

WARNING: Before starting the wire connections, disconnect the power by turning off the circuit breaker or removing the fuse at the fuse panel. Turning the power off using the light switch is not sufficient to prevent electrical shock.

This luminaire must be connected with supply wire/conductors rated at 90°C. Most dwellings built before 1985 have supply wire rated at 60°C; consult a qualified electrician before installing.

WARNING: Before service insure fixture is cool to touch.

WARNING: Check fixture for input voltage before connecting power to fixture.

Please follow the following guidelines /requirements when installing LED fixture(s)/LED driver(s).

1. Install LED fixture(s) and/or LED driver(s) only on their own circuit. Do not mix any other non LED products/fixtures (e.g., Incandescent, Compact Fluorescent, H.I.D., etc.) with LED fixture(s)/LED driver(s) on a single circuit.

2. Do not use any other electrical equipment (e.g., surge protectors, photocells, etc.) that is not (rated) for use with LED fixture(s)/LED driver(s) on the same circuit as LED fixture(s)/LED driver(s).

3. Use GFCI's (by others) on each circuit (per installation instructions) appropriate for the installation.

4. Install remote surge protector(s) (by others, goes on the circuit with nothing between the surge protector and the LED fixture(s)/LED driver(s)), if the fixture is not already installed with a surge protector, to help remove power surges that may harm LED fixture(s), appropriate for the installation.

WARNING: RISK OF SHOCK. This fixture is suitable for dry and damp locations and for TYPE IC location - Suitable for installation in direct contact with insulation.

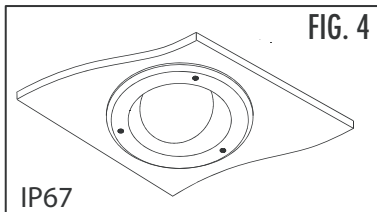
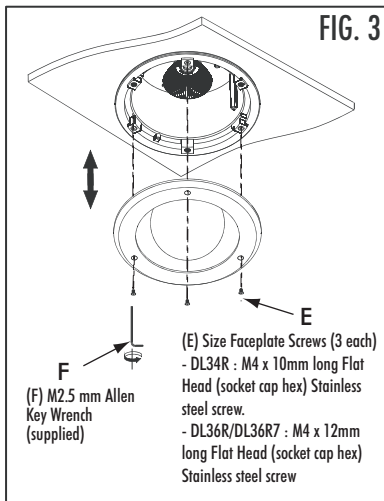
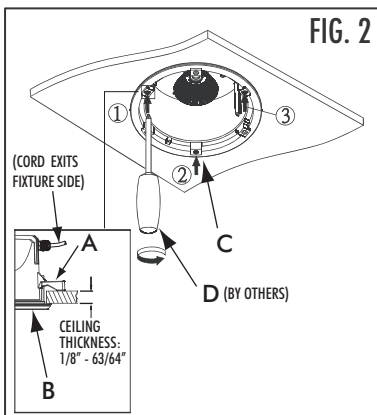
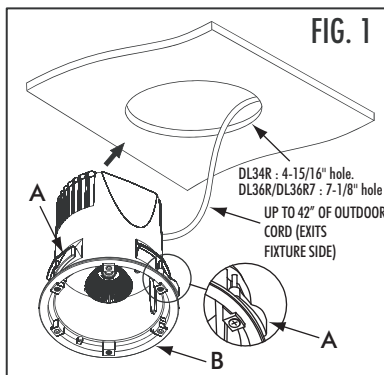
WARNING: Do not install any fixture or assembly (etc.) closer than 6" from any curtain, or similar combustible material. Install housing at a minimum of 1/2" away from combustible material such as wooden ceiling joists, sub-flooring, or roofing (etc.).

Fixture must be installed on a circuit protected by Ground Fault Circuit Interrupter (GFCI).

Install LED fixture(s)/LED driver(s) only on their own circuit. Do not mix any other products (Incandescent, Compact Fluorescent, H.I.D. products/fixtures, etc..) with LED fixture(s)/LED driver(s) on a single circuit.

Do not use any other electrical equipment (example: surge protector photocell, etc.) that is not (rated) for use with LED fixture(s)/LED driver(s) on the same circuit as LED fixture(s)/LED driver(s).

Install remote surge protector(s) (by others, goes on the ceiling with nothing between the surge protector and the LED fixture(s)/LED driver(s)), if the fixture is not already installed with a surge protector, to help remove power surges that may harm LED fixture(s), appropriate for the installation. Periodically check and make sure that your remote surge protector(s) are in good working order.



NOTE: Fixtures may also be installed in ceilings made of concrete, poured concrete, and/or concrete slab.

Fixture Installation: (DL36R7 shown for clarity. Your fixture may differ slightly)

NOTE: Fixture comes with up to 42 inches of water resistant cord (exits fixture side, FIG. 2). A longer cord may be ordered with fixture or field installed (if it is the same cord as in fixture, see wiring below). Fixture also comes with a silicone gasket on the underneath side of the flange to help cushion the trim on the ceiling and help seal out water (depending on installation).

1. Make/cut a hole in ceiling where luminaire will be installed (For DL34R = 4-15/16" hole, for DL36R and DL36R7 = 7-1/8" hole) (FIG. 1). Ceiling thickness can be from 1/8" - 63/64" thick (FIG. 2).
2. Remove Faceplate by removing the 3 hex screws (E) using the supplied hex wrench (F) (FIG. 3).
3. Wire fixture to power supply (see WIRING instructions below).
4. First loosen the three screws (C) (FIG. 2, in order shown) with a Phillips head screwdriver (D), (by others) so that all the black flaps (A) (FIG. 2) are spaced at least 1" or more from the underneath side of the fixture trim ring. Second then make sure all the black flaps (A) (FIG. 1) are next to the fixture housing before inserting fixture into hole. Third insert fixture in hole until bottom of ring (B) (FIG. 1) is flush the ceiling (FIG. 2).
5. Tighten the three screws (C) (FIG. 2, in order shown) with a Phillips head screwdriver (D), (by others) until all the black flaps (A) (FIG. 2) are tight on the underneath side of the ceiling securing fixture to ceiling. Do not over tighten screws.
6. Secure faceplate back on fixture by reversing process in step 2 above (FIG. 3, FIG. 4).

WIRING:

WARNING: Check fixture for input voltage before connecting power to fixture.

NOTE: Fixture comes with up to 42 inches of water resistant cord (exits fixture side, FIG. 2). If field installing longer cord in the fixture make sure the new cord is the same rating and same diameter size as the existing cord in the fixture and tighten cable gland over new cord to prevent water entry. If installing a junction box (by others) in a wet or damp location use a junction box rated for your installation location. Some fixture may have LED driver outside the fixture connected to the end of the cord and may have to be protected from the environment (depends on your installation).

1. Connect ground wire (green or bare copper/aluminum) from the supply circuit to the ground wire (green or bare copper) / screw/connector from the luminaire.
2. Connect the neutral (common) wire from the power supply to the neutral wire from the luminaire.
3. Connect the main voltage supply wire (line/lead) from the power supply to the line (lead) wire from the luminaire.
4. Secure connection using UL Listed wire nuts/connectors and then with UL Listed Electrical tape (by others), as required, appropriate for the connection.
5. For Dimming wiring see Liton web site.