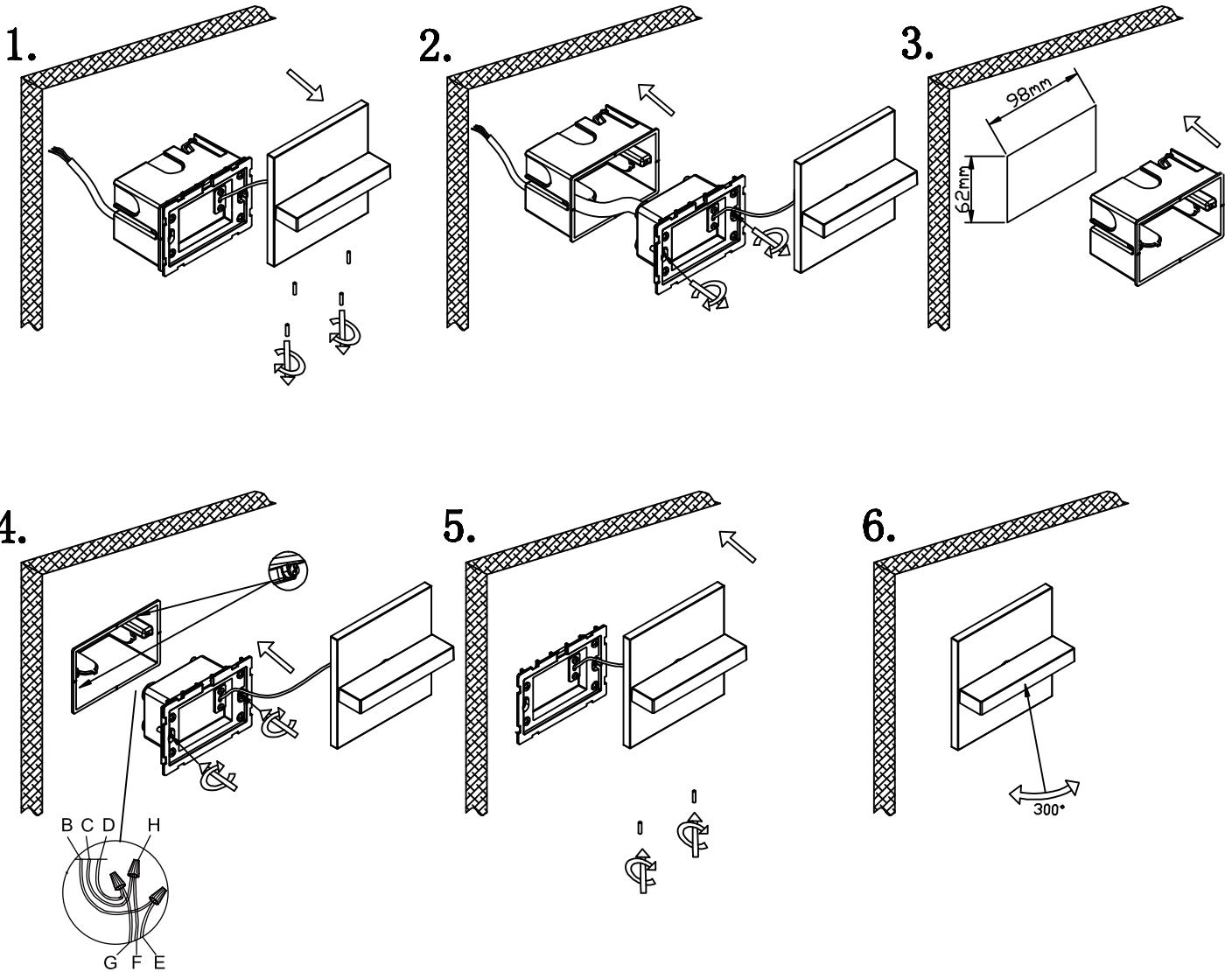


FOR DIRECT WIRE APPLICATION ONLY



- A**-Outlet Box screw x 2
- B**-Black wire(L) from junction box
- C**-White wire(N) from junction box
- D**-Green wire/Bare copper (G) from junction box
- E**-Black wire from fixture
- F**-White wire from fixture
- G**-Green wire/Bare copper from fixture
- H**-Wire connector x 3

1x3W MAX.LED,120V,60Hz
(Bulb included)