

## Installing Instructions

## INSTALLING INSTRUCTIONS

SAVE THESE INSTRUCTIONS

INSTALL AND USE THIS LUMINAIRE FOLLOWING THE NATIONAL ELECTRICAL CODE, YOUR LOCAL ELECTRICAL CODE AND REGULATIONS.

### PREPARATION:

- 1). Read and understand instructions completely before installing this luminaire. Installation and electrical wiring of this Luminaire must be done by a qualified licensed electrician.
- 2). Before proceeding with the installation, be sure that the ceiling construction follows the proper requirements.

**WARNING-** Before starting the wire connections, disconnect the power by turning off the circuit breaker or removing the fuse at the fuse panel. Turning the power off using the light switch is not sufficient to prevent electrical shock. This luminaire must be connected with supply wire rated at 90 C. Most dwellings built before 1985 have supply wire rated at 60 C; consult a qualified electrician before installing.



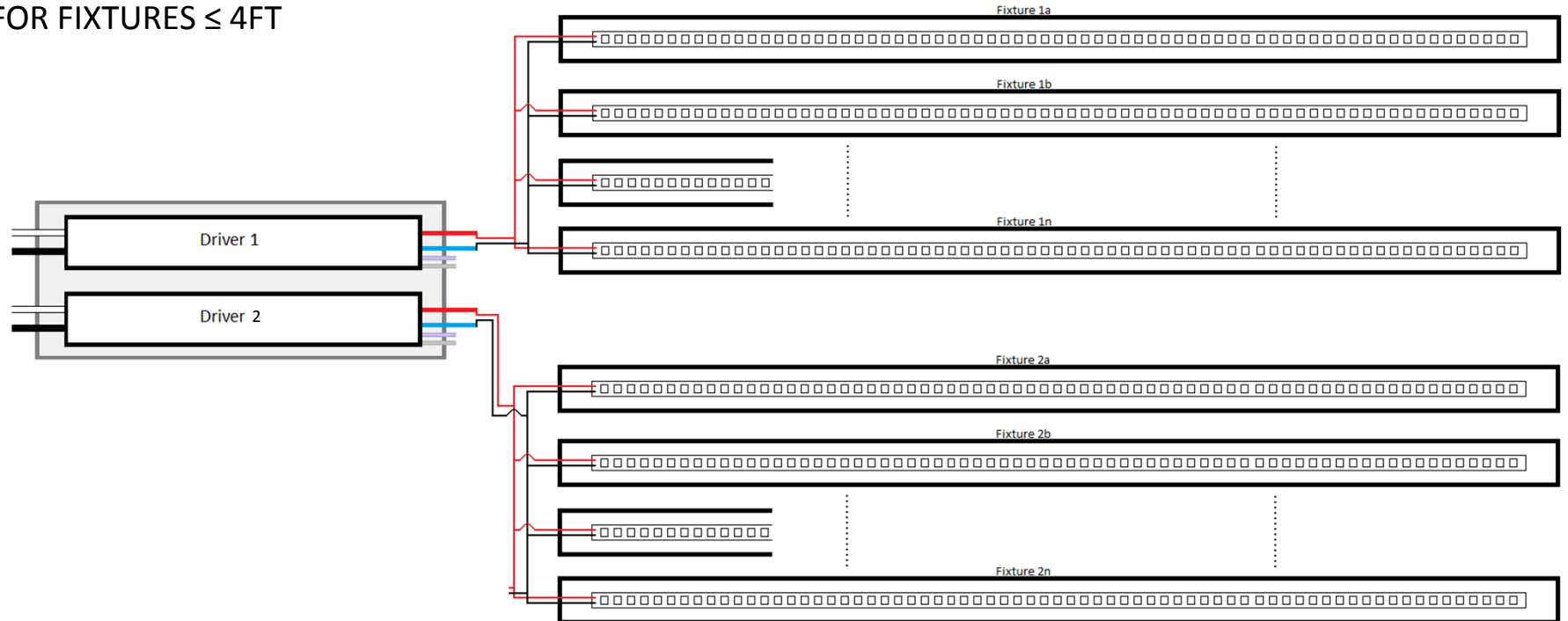
### INSTALLING ELECTRICAL BOX & REMOTE DRIVER BOX:

Install Electrical Box (provided), close to Luminaires location, Each box has 1 to 4 drivers depending on the fixtures lay out & distribution.

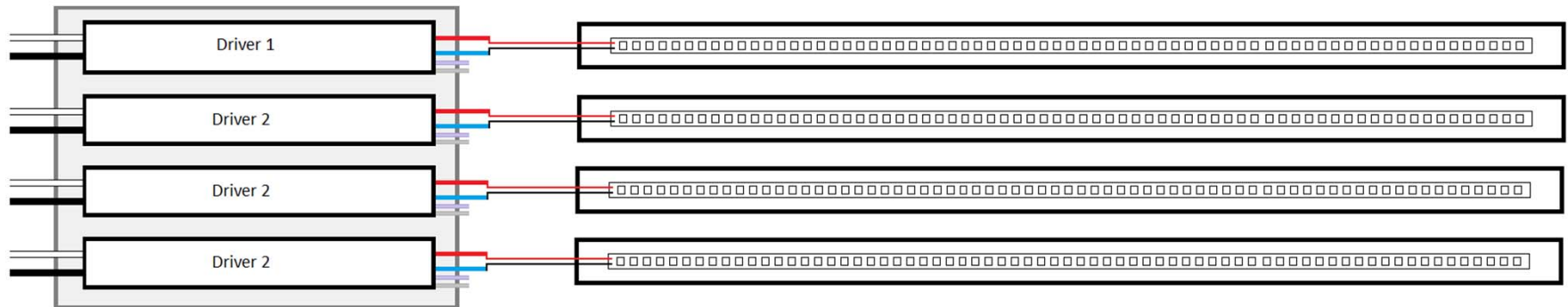
# WIRING INSTRUCTIONS

SAVE THESE INSTRUCTIONS

## WIRING FOR FIXTURES ≤ 4FT



## WIRING FOR FIXTURES > 4FT ≤ 8FT



- 1). Red wire (+) goes to positive (Red) output of the driver, and Black Wire goes to negative (Blue) output of the driver.
- 2). In case 0-10V system is controlling the drivers make sure Grey/Purple driver wires are connected to the system.

## INSTALLING INSTRUCTIONS

## SAVE THESE INSTRUCTIONS

### INSTALLING THE FIXTURE

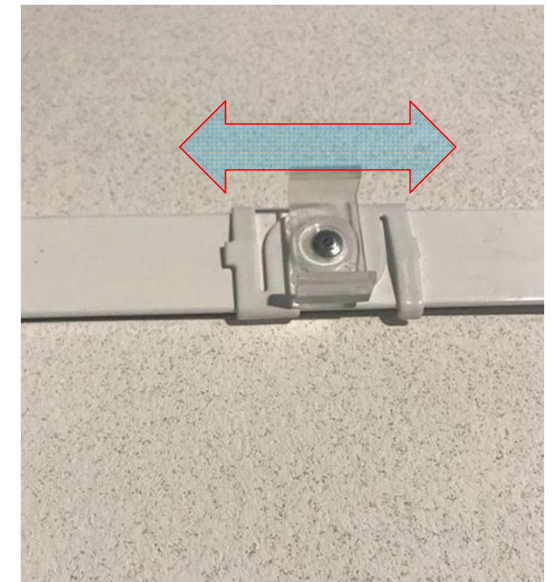
Once Remote drivers Boxes have been installed and properly connected, proceed with the installation of the Fixtures.

Fixture Length	# Brackets
1' - 4'	2 Grid/Brackets
4' - 8'	3 Grid/Brackets
>8'	3 Grid/Brackets Every 8'

Depending on the fixture length install the Grid/ Brackets provided, about 5"-8" from the edge and distribute evenly the others.



Install the clip in the T-Grid by pressing, then secure by twist until it is adjusted.



Once Clip is installed slide trough the T-Grid until it is located in the right position.

## INSTALLING INSTRUCTIONS

SAVE THESE INSTRUCTIONS

### INSTALLING THE FIXTURE

Once Remote drivers Boxes have been installed and properly connected, proceed with the installation of the Fixtures.



Carefully press the fixture inside the brackets, the leap in the plastic bracket will secure the fixture in the channel of the aluminum profile



Carefully bend the flat wire at the edge of the T-Grid, giving it the same shape of it.



Connect the fixture to the Box/Driver as explained before, and install back the tile.

## INSTALLING INSTRUCTIONS

## SAVE THESE INSTRUCTIONS

### Interior Ceiling View (Once Installed the Fixtures)

