

Project Name: \_\_\_\_\_ Type: \_\_\_\_\_ Quantity: \_\_\_\_\_

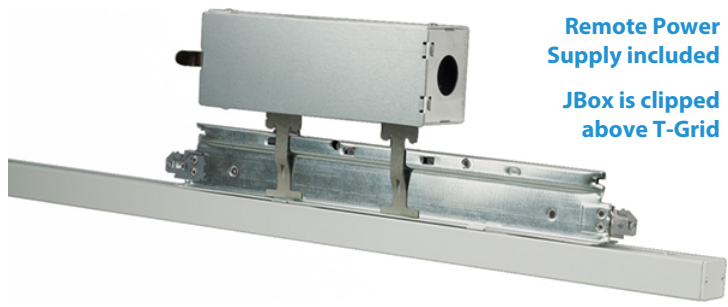
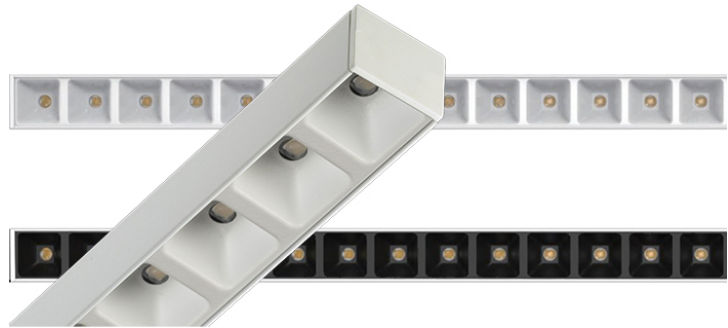
**FIXTURE SPECIFICATIONS**

**INTENDED USE**

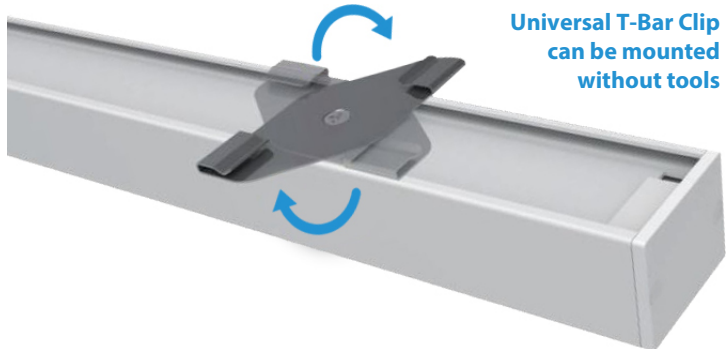
Our quick-connect, louvered and linear T-bar lights install flush on the surface of the ceiling, clipping onto a ceiling grid's beams or cross tees. This means you can create any layout configuration with our LED lights for your retail, office, conference room, lobby, corridor or healthcare interior. It can be mounted on to Armstrong ceilings.

**FEATURES**

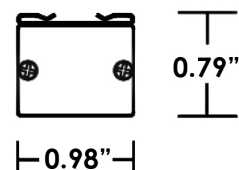
- Construction:** 1"extruded aluminum profile
- Voltage:** TRIAC, electronic low voltage, and 0-10V are 120-277V
- Finish:** White and black louver
- Mounting:** Universal mounting to acoustic 9/16", 15/16" T-grid & screw-slot grid systems with low profile spring metal clips. Continuous row mounting is possible to create longer fixtures, with a fixture and lens seam slightly visible.
- Dimming:** TRIAC remote dimming is standard. Other dimming options are available for an additional charge
- Optics:** Average 72° beam spread
- Remote Power Supply:** Surface-mount with two 3/4" knockouts & removable access plate for maintenance. Pre-wired in/out wiring terminals. 15' or less distance to luminaire with 16 AWG wire is recommended.
- Lumen Output:** 130 lumens per watt
- Wattage:** 2-foot/15W & 4-foot/30W
- CRI:** 80+
- Warranty:** 5 years carefree for parts & components (labor not included)
- Listing:** DLC Premium, cETLus suitable for dry or damp locations, Assembled in the USA



Remote Power Supply included  
JBox is clipped above T-Grid



Universal T-Bar Clip can be mounted without tools



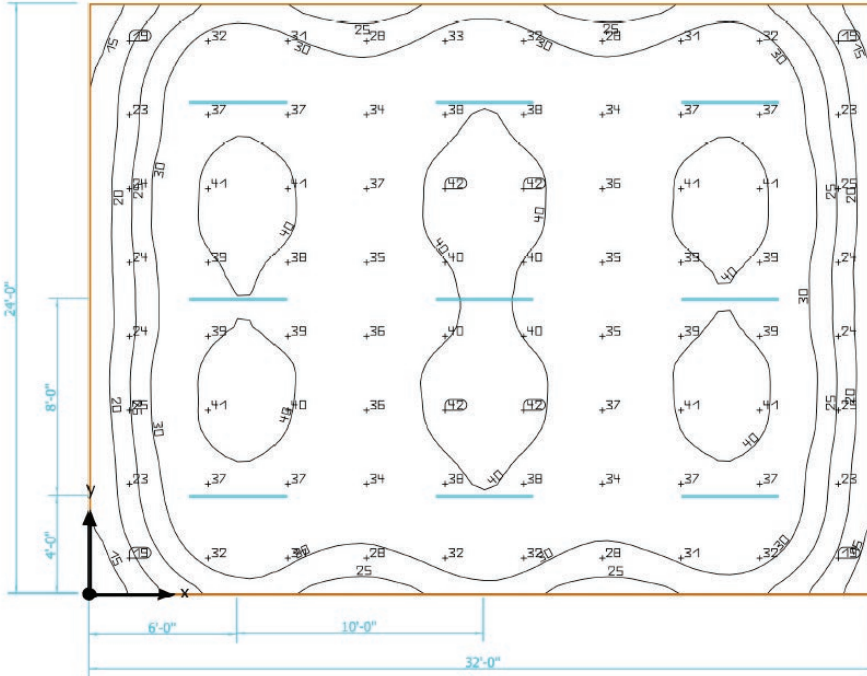
Alcon 14030-10-LVR Linear T-bar Ceiling Grid Louvered 120V/277V LED Lightbar

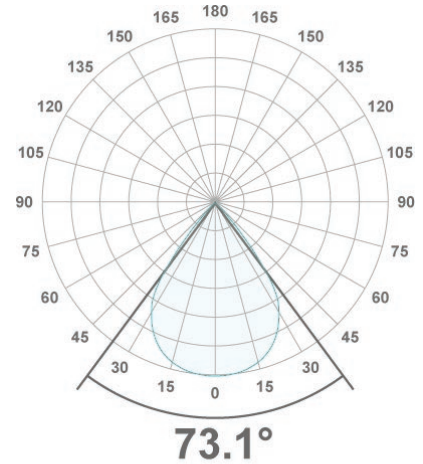
**ORDERING INFORMATION** Example: (14030-10-LVR-4-35K-WH-9T-010-EM)

Model	Length	Color Temp	Louver Finish	Mounting	Remote Dimming	Options
<b>14030-10-LVR</b> One-Inch	<b>2</b> 2 foot <b>4</b> 4 foot	<b>35K</b> 3500K	<b>WH</b> White <b>BK</b> Black	<b>9T</b> 9/16" T-Bar <b>15T</b> 15/16" T-Bar <b>SS</b> Screw Slot	<b>Blank</b> None <b>TRI</b> TRIAC <b>ELV</b> Electronic Low Voltage <b>010</b> 0-10V	<b>REM</b> Remote Emergency Backup Battery

**PERFORMANCE DATA**
**Example Room Foot Candle Layout:** Fixture spacing 8 ft on center (X) & 6 ft (Y)

**Ground area:** 32'x24 = 768 sqft  
**Reflection:** 70 % / 50 % / 20 %  
**Light loss:** 0.80 (fixed)

**Workplane height:** 2.5 ft  
**Mounting height:** 10 ft Room Lighting power density 0.60 W/sq ft

**14030-10-LVR-BK-30W-35K**  
**4' White Louver**  
 LER: 130 Lm/W 3647 Lm  
 28.26W (7.06 W/ft.)  
 Peak Candela: 2323 @ 0°  
 CRI: 80 / CCT: 3500K LM79

**CANDELA DISTRIBUTION**

 Beam Angle (50%): 73.1°  
 Field Angle (10%): 88.7°

**COEFFICIENTS OF UTILIZATION - ZONAL CAVITY METHOD**

Effective Floor Cavity Reflectance 0.20

RC	80				70				50				30				10				0
	70	50	30	10	70	50	30	10	50	30	10	50	30	10	50	30	10	50	30	10	0
0	119	119	119	119	116	116	116	116	111	111	111	106	106	106	102	102	102	100	100	100	100
1	111	108	104	101	109	105	102	100	101	99	97	97	96	94	94	92	91	89	88	87	89
2	104	98	92	88	101	96	91	87	92	88	85	89	86	83	86	84	81	79	76	73	71
3	97	89	82	77	95	87	81	77	84	79	75	82	78	74	79	76	73	71	68	65	64
4	91	81	74	69	89	80	73	68	77	72	67	75	70	66	73	69	66	64	60	57	58
5	85	74	67	62	83	73	66	61	71	65	61	69	64	60	68	63	59	58	53	50	52
6	79	68	61	56	78	67	60	55	66	60	55	64	59	54	63	58	54	52	47	44	48
7	74	63	56	50	73	62	55	50	61	55	50	60	54	50	58	53	49	48	42	39	44
8	70	58	51	46	68	58	51	46	56	50	46	55	50	46	54	49	45	44	38	35	40
9	66	54	47	42	64	54	47	42	53	46	42	52	46	42	51	45	42	40	34	31	37
10	62	50	44	39	61	50	43	39	49	43	39	48	43	39	47	42	38	37	31	28	35

**ADJUSTMENT MULTIPLIERS**
**White Louver**

Luminaire	Value
4' - 25W 3500K	0.7988
4' - 30W 4000K	0.904
2' - 15W 3500K	0.5097
2' - 15W 4000K	0.6473

**ADJUSTMENT MULTIPLIERS**
**Black Louver**

Luminaire	Value
4' - 25W 3500K	0.7466
4' - 30W 4000K	0.8533
2' - 15W 3500K	0.5097
2' - 15W 4000K	0.5753

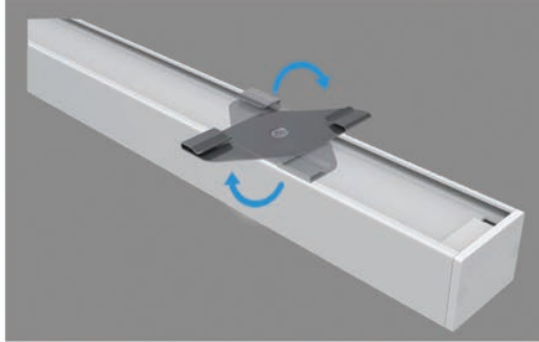
ROOM TYPE	LIGHT LEVEL (FOOT CANDLES)	POWER DENSITY (W/SF)*
Bedroom - Dormitory	20-30 FC	0.38
Cafeteria - Eating	20-30 FC	0.65
Classroom - General	30-50 FC	1.24
Conference Room	30-50 FC	1.23
Corridor	5-10 FC	0.66
Gymnasium	20-30 FC	0.72
Kitchen / Food Prep	30-75 FC	1.21
Lab (Classroom)	50-75 FC	1.43
Library - Stacks	20-50 FC	1.71
Library - Reading	30-50 FC	1.06
Loading Dock	10-30 FC	0.47
Lobby	20-30 FC	0.9
Locker Room	10-30 FC	0.75
Lounge / Breakroom	10-30 FC	0.73
Office - Open	30-50 FC	0.98
Office - Closed	30-50 FC	1.11
Restroom / Toilet	10-30 FC	0.98
Retail Sales	20-50 FC	1.59
Stairway	5-10 FC	0.69
Storage Room	5-20 FC	0.63
Workshop	30-75 FC	1.59

\* Source: IECC 2015 LIGHTING

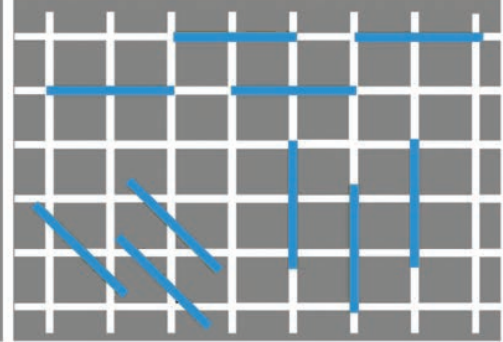
## MOUNTING DETAILS



Individual Remote Power Supply included, JBox is clip mounted above T-Grid with 6" Clearance recommended.



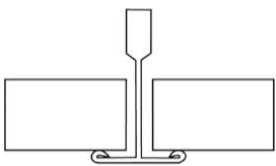
Universal T-Bar Clip can be mounted on main and mini T-Bar without tools.



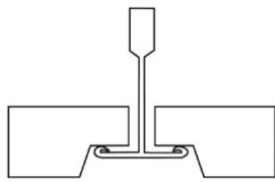
Luminaires can be mounted in various patterns to meet many design schemes.

## CEILING PANEL TYPES

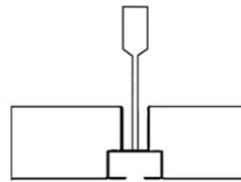
Standard Clips height designed.  
For a gapless appearance with Square Edge ceiling tiles.  
For Tegular Edge Tiles, specify TE.



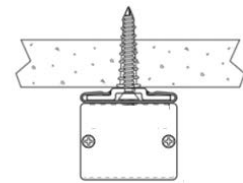
SQUARE EDGE



TEGULAR EDGE (TE)



SCREW SLOT (TS)



SURFACE / DISPLAY CASE MOUNT (SM)



# COLOR TEMPERATURE GUIDE



**2700K**

**WARM  
WHITE**

friendly  
personal  
intimate

HOMES  
LIBRARIES  
RESTAURANTS

**3000K**

**SOFT WHITE  
GLOW**

soft  
warm  
pleasing

HOMES  
HOTEL ROOMS  
LOBBIES  
RETAIL STORES

**3500K**

**NEUTRAL  
GLOW**

sociable  
inviting  
non-threatening

EXECUTIVE OFFICES  
RECEPTION AREAS  
SUPERMARKETS

**4000K**

**DAYLIGHT  
GLOW**

neat  
clean  
efficient

OFFICES  
CLASSROOMS  
MASS MERCHANDISERS  
SHOWROOMS

**5000K**

**CRYSTAL WHITE  
GLOW**

bright  
cool  
alert

GRAPHICS INDUSTRY  
HOSPITALS  
GALLERIES  
BEAUTY SALONS

