

Project Name: \_\_\_\_\_ Type: \_\_\_\_\_ Quantity: \_\_\_\_\_

### INTENDED USE

Including a snap-on mounting bracket for an easy installation to T-Bars, our low profile LED T-bar grid light is made from high-quality aluminum. This surface mount profile is manufactured with a frosted diffuser for maximum lumen output and wide beam distribution.

### FEATURES

**Construction:** Aluminum construction with frosted lens.

**Installation:** Factory assembled for easy and fast installation. Wire is Back-Feed.

**Voltage:** 24V LED Fixture, 100-277V Triac, ELV, MLV and 0-10V Remote Driver

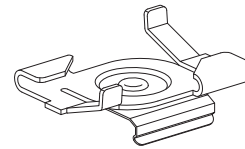
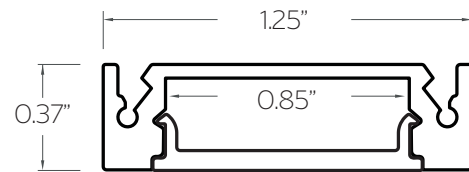
**Lumen:** 840L per foot

**Wattage:** 10W per foot

**CRI:** 90+

**Life:** 50,000 Hours

**Listings:** cULus, CA Title 24 JA8, Assembled in the USA  
**Warranty:** 5 years carefree for parts & components (labor not included)



Includes 15/16" T-bar mounting brackets

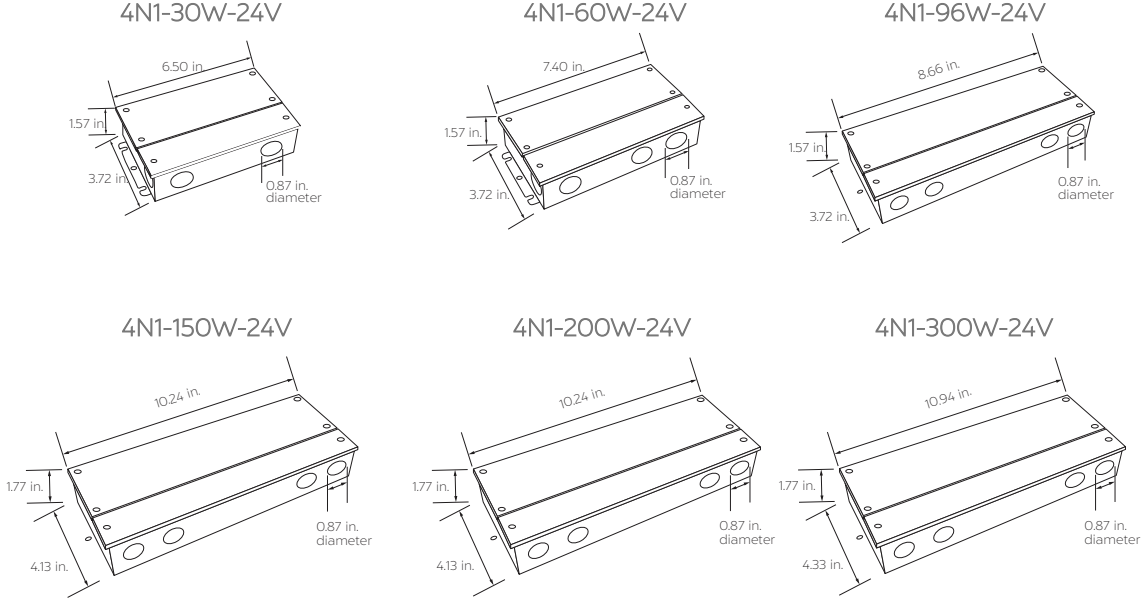


### ORDERING INFORMATION EXAMPLE: (14027-2-WH-27K)

| Model | Length                | Finish | Color Temperature |
|-------|-----------------------|--------|-------------------|
| 14027 | 2                     | WH     | 22K               |
|       | 2 Foot   20W   1,680L | White  | 2200K             |
|       | 4                     | BK     | 25K               |
|       | 4 Foot   40W   3,360L | Black  | 2500K             |
|       | 6                     |        | 27K               |
|       | 6 Foot   60W   5,040L |        | 2700K             |
|       | 8                     |        | 30K               |
|       | 8 Foot   80W   6,720L |        | 3000K             |
|       |                       |        | 35K               |
|       |                       |        | 3500K             |
|       |                       | 40K    |                   |
|       |                       | 4000K  |                   |

### 4N1 SERIES

Compatible with most TRIAC, ELV, MLV & 0-10V Dimmers



## COLOR TEMPERATURE GUIDE

