

Project Name:

Type:

Quantity:

**FIXTURE SPECIFICATIONS**

**INTENDED USE**

The specification-grade Alcon Lighting 14024 Bunbury series architectural 13-inch semi-recessed LED hand-blown opal glass downlight fixture is the perfect selection for distinctive architectural lighting plans. Ideal for corridors, lobbies, and office areas.

**FEATURES**

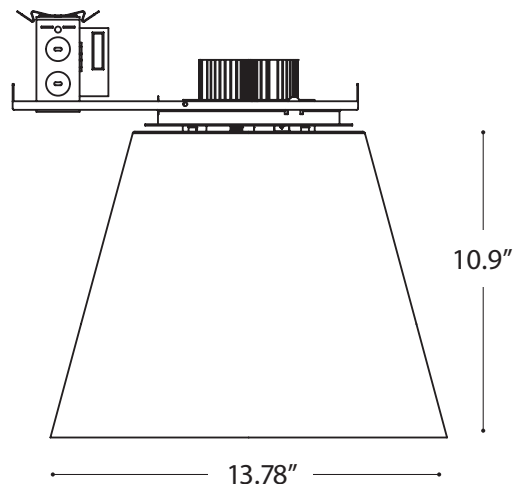
**Housing Construction:** Housing is made of pre-coated galvanized steel mounting frame and J-box. Lampholder securely fastens to the reflector. Hand blown glass shade with matte opal exterior, white interior.

**Voltage:** 120V/277V, 50/60 hz

**CRI:** 90+

**Listings:** cUL listed for damp locations

**Warranty:** 5 years carefree for parts & components (labor not included)



**ORDERING INFORMATION** Example: (14024-22-40K)

Model	Wattage   Lumens	Color Temp	Options
<b>14024</b>	<b>22</b> 22 Watts   2000 lumens	<b>30K</b> 3000K	<b>EM</b> Emergency Back Up Battery 10W for 90 Minutes
	<b>33</b> 33 Watts   3000 lumens	<b>35K</b> 3500K	
		<b>40K</b> 4000K	

Alcon Lighting 14024 Bunbury Series Semi-Recessed 13-Inch LED Hand-blown Opal and Clear Glass Downlight