

Project Name:

Type:

Quantity:

**FIXTURE SPECIFICATIONS**

**INTENDED USE**

This LED monopoint is housed in diecast aluminum to dissipate heat, allowing the product to maintain minimal canopy and retain its sleek appearance. Friction blades mount securely to housing and our light produces from 750 to 1200 lumens at 90+ CRI with a choice of three Kelvin temperatures from 2700K or 4000K. Each monopoint includes spot, narrow flood and flood optics which can easily be changed in the field. Available in cylinder or cone styles in black or matte powder white.

**PRODUCT FAMILY**

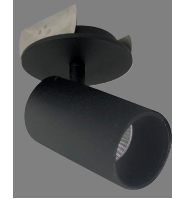
- 13000-TC Track Channel
- 13000-LC Linear Connector
- 13000-OA Outlet Adapter
- 13000-SC Slope Ceiling Track Adapter
- 13000-TB T-Bar End Feed
- 13000-FC Floating Canopy Connector
- 13000-EC End Cap
- 13000-LC Live End with Canopy
- 13000-LE Live End
- 13000-L L-Connector
- 13000-T T-Connector
- 13000-X X-Connector
- 13000-MC Mini Connector
- 13000-CP Cord and Plug Connector
- 13000-PA Pendant Adapter
- 13000-CC Conduit Connector
- 13000-CK Conduit Continuation Kit



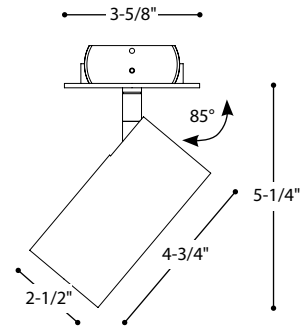
Black Insert included with **WB** finish



**WH** White Exterior White Interior



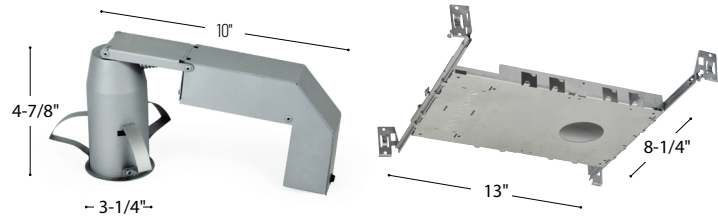
**BK** Black Exterior Black Interior



**IC** New Construction IC Airtight Housing  
Size: 7-5/8" W x 12" L x 4" H  
Ceiling Cut-out: 3-1/4"



**RM** Remodel IC Airtight Housing  
Ceiling Cut-out: 3-1/4"



**FEATURES**

- Construction:** Die-cast aluminum
- Lens:** Chip on board LED technology
- Lumens:** 1000 lms (varies by finish, CCT and optic)
- Color Temperature:** 4000K Cool White
- Wattage:** 14W
- Voltage:** 120-277V
- Optics:** 3 field-changeable pre-installed optics: 27°, 34° and 46°
- Mounting:** secures to housing with included friction blades
- Dimming Driver:** TRIAC, ELV, 0-10V (100-10%) or Lutron EcoSystem (specified by housing)
- CRI:** 90+
- Life:** 50,000 Hours at L70
- Listings:** cULus listed for damp location, Title 24 JA8 certified, Energy Star certified

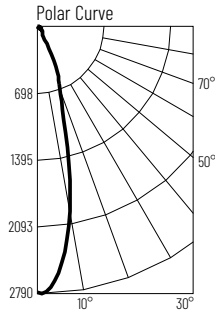
**ORDERING INFORMATION** Example: (13352-27K-010-WH-IC)

Model	Dimming	Finish	Housing
<b>13352</b> 2" LED Cylinder	<b>010</b> 0-10V 5-Wire	<b>WB</b> White with Black insert	<b>IC</b> 2-Inch New Construction IC Airtight
	<b>TRI</b> TRIAC Forward Phase 2-Wire	<b>BK</b> Black	<b>RM<sup>1</sup></b> 2-Inch Remodel IC Airtight
	<b>ELV</b> Electronic Low Voltage Reverse Phase 3-Wire	<b>WH<sup>2</sup></b> White	<b>CP</b> 2-Inch Chicago Plenum New Construction

<sup>1</sup> Triac / ELV / 0-10V @ 120V. 0-10V @ 277V  
<sup>2</sup> Only available in 4000K

**PHOTOMETRICS**

Beam Spread: 27° Spot  
 Lumens: 975lm  
 Wattage: 13.36W  
 Efficacy: 73lpw  
 CCT / CRI: 4000K / 90 CRI  
 Spacing Criteria (0°-180): 0.46  
 Spacing Criteria (90°-270): 0.46



Illuminance at a Distance

Distance from Luminaire	FC at Nadir	Beam Diameter
4'	174fc	1'-11"
6'	77.2fc	2'-11"
8'	43.4fc	3'-10"
10'	27.8fc	4'-10"
12'	19.3fc	5'-10"

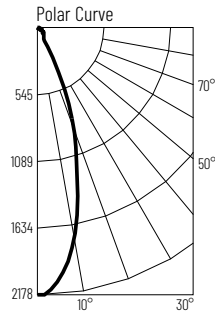
Zonal Lumen Summary

Zone	Lumens	% Luminaire
0-30	745	76.4
0-40	809	82.9
0-60	916	93.9
0-90	972	99.7
90-180	3	0.3
0-180	975	100

Candela Table

Vertical Angles	Candela
0	2778
5	2584
15	1149
25	467
35	97
45	77

Beam Spread: 34° Narrow Flood  
 Lumens: 1006lm  
 Wattage: 13.47W  
 Efficacy: 75lpw  
 CCT / CRI: 4000K / 90 CRI  
 Spacing Criteria (0°-180): 0.56  
 Spacing Criteria (90°-270): 0.58



Illuminance at a Distance

Distance from Luminaire	FC at Nadir	Beam Diameter
4'	136fc	2'-6"
6'	60.5fc	3'-8"
8'	34fc	4'-11"
10'	21.8fc	6'-2"
12'	15.1fc	7'-5"

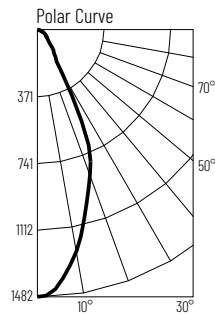
Zonal Lumen Summary

Zone	Lumens	% Luminaire
0-30	760	75.5
0-40	821	81.7
0-60	941	93.6
0-90	1002	99.7
90-180	3	0.3
0-180	1006	100

Candela Table

Vertical Angles	Candela
0	2178
5	2058
15	1267
25	449
35	97
45	76

Beam Spread: 46° Flood  
 Lumens: 1001lm  
 Wattage: 13.37W  
 Efficacy: 75lpw  
 CCT / CRI: 4000K / 90 CRI  
 Spacing Criteria (0°-180): 0.72  
 Spacing Criteria (90°-270): 0.7



Illuminance at a Distance

Distance from Luminaire	FC at Nadir	Beam Diameter
4'	92.6fc	3'-5"
6'	41.2fc	5'-1"
8'	23.2fc	6'-10"
10'	14.8fc	8'-6"
12'	10.3fc	10'-2"

Zonal Lumen Summary

Zone	Lumens	% Luminaire
0-30	691	69
0-40	803	80.2
0-60	931	92.9
0-90	998	99.6
90-180	4	0.4
0-180	1001	100

Candela Table

Vertical Angles	Candela
0	1482
5	1415
15	1040
25	631
35	170
45	89