

Project Name:

Type:

Quantity:

FIXTURE SPECIFICATIONS

DETAILS

The specification grade Alcon Lighting 13150 Architectural LED Linear Track Light Fixture delivers direct track lighting to commercial, hospitality and residential interior ceiling track lighting applications. Our modern LED track light fixture designs offer excellent illumination, exceptional performance and versatility in offices, classrooms, conference rooms, museums, retail outlets, hotels, restaurants, and more.

FEATURES

Construction: Die-cast aluminum

Lens: Symmetrical frosted lens standard. *Optional asymmetric lens for single wall wash & optional double asymmetric lens for wall washing two opposite walls available.*

CRI: 90+

Voltage: 120V

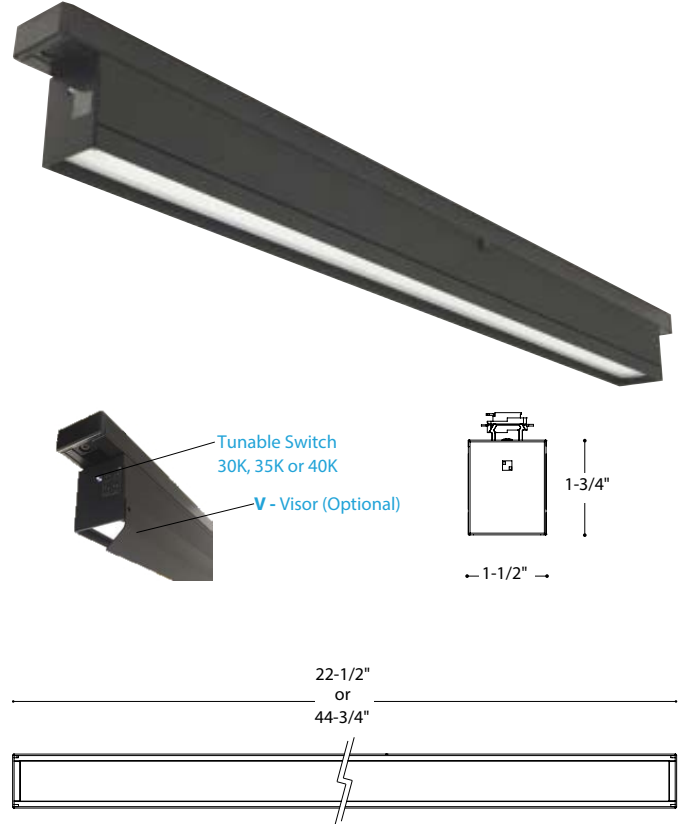
Dimming: Integral dimmer driver compatible with 2-wire Triac and 3-wire ELV dimmers

Color Temperature: Tunable switch offers 3000K / 3500K / 4000K color temperatures

Listings: cULus, Energy Star

Warranty: 5 years carefree for parts & components (labor not included)

Only compatible with H-Style Track. Track not included.



Alcon Lighting 13150 Architectural LED Linear Track Light Fixture



ORDERING INFORMATION Example: (13150-2-BK)

Model	Length Wattage Lumens	Finish	Options
13150	2 2' 20W 1600lms	BK Black	V ¹ Visor
	4 4' 40W 3200lms	SL Silver	AL ² Asymmetric Lens
		WH White	DAL ² Double Asymmetric Lens

¹ Matches selected finish
² Matches Selected Length