

## FIXTURE SPECIFICATIONS

### INTENDED USE

The **Sinch 13124-4** LED Museum Track Light Fixture is the best lighting option for Art Gallery applications. This LED Museum track lighting fixture provides high C.R.I (color rendering index) to display art more accurately which makes it an ideal fixture for retail lighting applications and art galleries.



### DETAILS

#### Track package includes:

- (1) 4 Foot Track Channel
- (4) Track Heads
- (1) Floating Junction Box Canopy Mount

**Dimensions:** L 4 1/8" x W 2 5/8" x H 7 1/8"

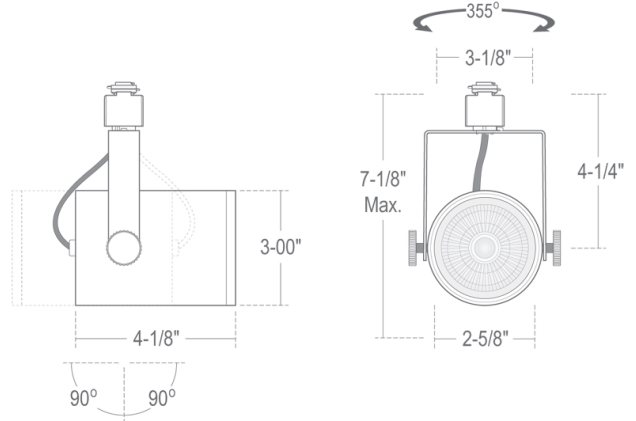
**Construction:** Durable Steel Body and Futuristic Aluminum Alloy Heat Sink. Internal Aiming Mechanism for Max Adjustability.

**Aiming:** 355° Rotation / 0°-90° Gimbal

**Connector:** 3-Wire H-Type Thermoplastic Track Connection

For Use with Standard H-Style 1 Circuit and 2 Circuit Track

**Driver:** Electronic Constant Current



### ADDITIONAL FEATURES

**Type:** Adjustable Flood/Spot

**Voltage:** 120V

**Wattage:** 20W

**Lumens:** 1600 lms

**Dimmability:** 2-Wire Incandescent, 0% Dimming **Lamp**

**Life:** L70 - 35,000+ Hours

**Ambient Operating Temperature:** 35°C

**Listings:** Suitable for dry locations only

**Lamp Equivalent:** 100W PAR20/PAR30



### ORDERING INFORMATION Example: (13124-4-WH-B40-30K)

Model	Finish	Beam Spread	Color Temp
<b>13124-4</b>	<b>WH</b>	<b>B40</b>	<b>27K</b>
	White	40° Flood	2700K
	<b>BK</b>	<b>B25</b>	<b>30K</b>
	Black	25° Narrow Flood	3000K
		<b>B15</b>	<b>40K</b>
		15° Spot	4000K