

Important: Please read and understand all instructions completely before installing this fixture.

WARNING: Fixture installation (and use) and all electrical connections must be in accordance with local and National Electrical Codes (N.E.C.) rules, regulations and standards. If you are unfamiliar with installing fixture(s), accessories and/or electrical wiring have a qualified licensed electrician install this fixture for you. Fixture should be installed by a qualified electrician.

WARNING: RISK OF SHOCK. House electric current can cause painful shock or serious injury. **WARNING:** Always disconnect power before fixture installation, wiring, or maintenance. **WARNING:** Before starting the wire connections, disconnect the power by turning off the circuit breaker or removing the fuse at the fuse panel. Turning the power off using the light switch is not sufficient to prevent electrical shock.

This luminaire must be connected with supply wire/conductors rated at 90°C. Most dwellings built before 1985 have supply wire rated at 60°C; consult a qualified electrician before installing.

WARNING: Before service insure fixture is cool to touch. **WARNING:** Check fixture for input voltage before connecting power to fixture.

WARNING: RISK OF SHOCK. Fixture is suitable for dry locations (unless otherwise stated on fixture, Alcon's web site or other installations). Also for use with covered ceiling mount. Fixture must be installed on a circuit protected by Ground Fault Circuit Interrupter (GFCI).

WARNING: Do not install any fixture or assembly (etc.) closer than 6" from any curtain, or similar combustible material.

Fixture must be installed on a circuit protected by Ground Fault Circuit Interrupter

RELAMPING:

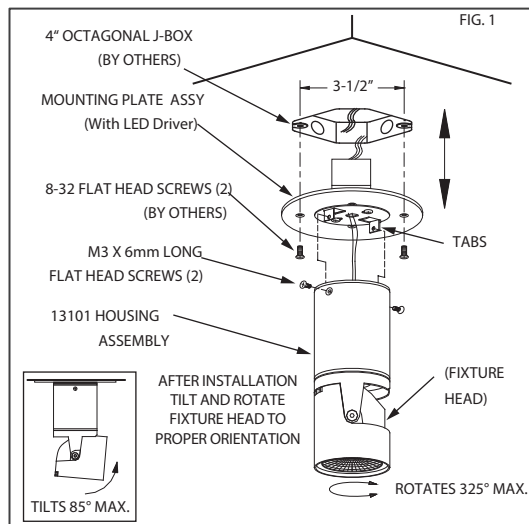
Return fixture to Alcon servicing/replacing LED and LED drivers, as required.

Install LED fixture(s)/LED driver(s) only on their own circuit. Do not mix any other products (Incandescent, Compact Fluorescent, H.I.D. products/fixtures, etc...) with LED fixture(s)/LED driver(s) on a single circuit.

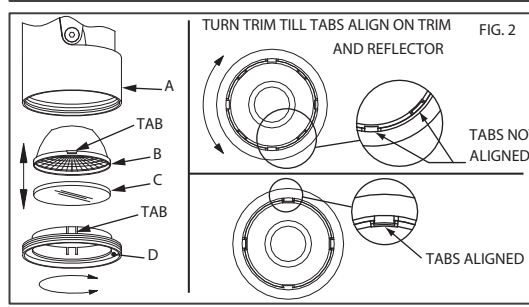
Do not use any other electrical equipment (example: surge protector photocell, etc.) that is not (rated) for use with LED fixture(s)/LED driver(s) on the same circuit as LED fixture(s)/LED driver(s).

Install remote surge protector(s) (by others, goes on the circuit with nothing between the surge protector and the LED fixture(s)/LED driver(s)), if the fixture is not already installed with a surge protector, to help remove power surges that may harm LED fixture(s), appropriate for the installation. Periodically check and make sure that your remote surge protector(s) are in good working order.

Components / Parts (13101)	Components Dimensions	Tools Required
<p>13101 HOUSING ASSEMBLY (1)</p> <p>MOUNTING PLATE ASSEMBLY (MPA) (With LED Driver) (1)</p> <p>M3 X 6mm LONG FLAT HEAD SCREWS (2)</p>	<p>(2) COUNTERSINK HOLES (FOR 2) #8 FLAT HEAD SCREWS, BY OTHERS)</p> <p>Ø4-3/4"</p> <p>3-1/2"</p> <p>(HOLES FOR WIRE EXIT)</p> <p>MOUNTING PLATE ASSEMBLY (MPA)</p>	<ul style="list-style-type: none"> #1 and #2 Phillips Head Screwdriver Wire Connectors Hardware (screws, nuts, etc.) DO NOT USE POWER TOOLS. ONLY USE HAND TOOLS.



- FIGURE 1: FIXTURE INSTALLATION (CEILING MOUNT ONLY)**
- WARNING:** Always disconnect power before fixture installation, wiring, or maintenance.
- As needed remove Mounting Plate Assembly (MPA) from Housing Assy (FIG 1) by removing the two (2) M3 screws on the side of the fixture.
 - Mounting plate Assembly fits onto a 4" octagonal junction box (J-BOX) or other J-Boxes that have a 3-1/2" hole/screw spacing (see above dimensions). Other j-boxes may also fit. Make sure J-BOX threaded holes will fit MPA holes.
 - Install wiring in 4" octagonal J-BOX (or other j-box) in ceiling, as needed.
 - Connect the power supply wiring from J-BOX to fixture wiring from LED driver in j-box. See "Wiring" instructions below.
 - Secure Mounting Plate Assembly (with LED driver) on j-box (by others), LED driver fits in 4" octagonal j-box, with appropriate hardware (by others) (FIG 1). Keep wires from Housing Assembly to Mounting Plate Assembly attached. Do NOT pull on wires from Housing Assembly to LED driver.
 - Align the two (2) tabs on the Mounting plate to the slots in the top of the Housing Assembly (FIG. 1).
 - Tighten M3 screw with #1 screw driver in housing until set screw is flush with outside of housing. Do not over tighten screws.



- FIGURE 2: CHANGING REFLECTOR (FIG. 4)**
- Remove fixture from mounting surface. Point fixture (A) downward and then lightly press and turn Trim (D) counterclockwise to unscrew and remove Trim (D) with Glass (C) and Reflector (B) from fixture housing (A).
 - Twist Reflector (B) until tab aligns with Trim (D). Push up and remove Reflector (B) and Glass (C) (as needed) from Trim (D).
 - Replace Reflector (B) with a new Reflector and reverse procedure in steps 1 and 2 above to install trim snug (finger tight) in housing. Do not over tighten trim in housing.
- RELAMPING:** Return fixture to Alcon for servicing/replacing LED and LED drivers.
- WIRING**
- NOTE:** Check fixture for input voltage before connecting power to fixture. Connect wiring in j-box. For dimming information (wiring diagrams, chart, etc.) see 13101 website page.
- Connect ground wire (green or bare copper/aluminum) from the supply circuit to the ground wire (green or bare copper) / screw / connector from the fixture.
 - Connect the neutral (common) wire from the power supply circuit to the neutral wire from the fixture.
 - Connect the main voltage supply wire (line/lead) from the power supply to the line (lead) wire from the fixture.
 - Secure connection using UL Listed wire nuts/connectors and then with UL Listed Electrical tape (by others), as required, appropriate for the connection.

Important: Please read and understand all instructions completely before installing this fixture.

WARNING: Fixture installation (and use) and all electrical connections must be in accordance with local and National Electrical Codes (N.E.C.) rules, regulations and standards. If you are unfamiliar with installing fixture(s), accessories and/or electrical wiring have a qualified licensed electrician install this fixture for you. Fixture should be installed by a qualified electrician.

WARNING: RISK OF SHOCK. House electric current can cause painful shock or serious injury. **WARNING:** Always disconnect power before fixture installation, wiring, or maintenance. **WARNING:** Before starting the wire connections, disconnect the power by turning off the circuit breaker or removing the fuse at the fuse panel. Turning the power off using the light switch is not sufficient to prevent electrical shock.

This luminaire must be connected with supply wire/conductors rated at 90°C. Most dwellings built before 1985 have supply wire rated at 60°C; consult a qualified electrician before installing.

WARNING: Before service insure fixture is cool to touch. **WARNING:** Check fixture for input voltage before connecting power to fixture.

WARNING: RISK OF SHOCK. Fixture is suitable for dry locations (unless otherwise stated on fixture, Alcon's web site or other installations). Also for use with covered ceiling mount. Fixture must be installed on a circuit protected by Ground Fault Circuit Interrupter (GFCI).

WARNING: Do not install any fixture or assembly (etc.) closer than 6" from any curtain, or similar combustible material.

Fixture must be installed on a circuit protected by Ground Fault Circuit Interrupter (GFCI).

RELAMPING: Return fixture to Alcon servicing/replacing LED and LED drivers, as required.

Install LED fixture(s)/LED driver(s) only on their own circuit. Do not mix any other products (Incandescent, Compact Fluorescent, H.I.D. products/fixtures, etc...) with LED fixture(s)/LED driver(s) on a single circuit.

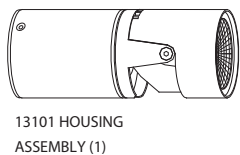
Do not use any other electrical equipment (example: surge protector photocell, etc.) that is not (rated) for use with LED fixture(s)/LED driver(s) on the same circuit as LED fixture(s)/LED driver(s).

Install remote surge protector(s) (by others, goes on the circuit with nothing between the surge protector and the LED fixture(s)/LED driver(s)), if the fixture is not already installed with a surge protector, to help remove power surges that may harm LED fixture(s), appropriate for the installation. Periodically check and make sure that your remote surge protector(s) are in good working order.

Components / Parts (13101)

Components Dimensions

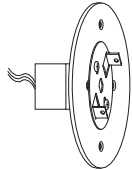
Tools Required



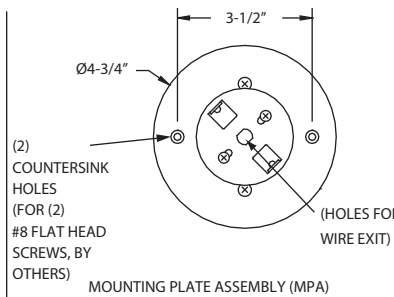
13101 HOUSING ASSEMBLY (1)



M3 X 6mm LONG FLAT HEAD SCREWS (2)



MOUNTING PLATE ASSEMBLY (MPA) (With LED Driver) (1)



(2) COUNTERSINK HOLES (FOR 2) #8 FLAT HEAD SCREWS, BY OTHERS) MOUNTING PLATE ASSEMBLY (MPA)

- #1 and #2 Phillips Head Screwdriver
- Wire Connectors
- Hardware (screws, nuts, etc.)
- DO NOT USE POWER TOOLS. ONLY USE HAND TOOLS.

WARNING: Always disconnect power before fixture installation, wiring, or maintenance.

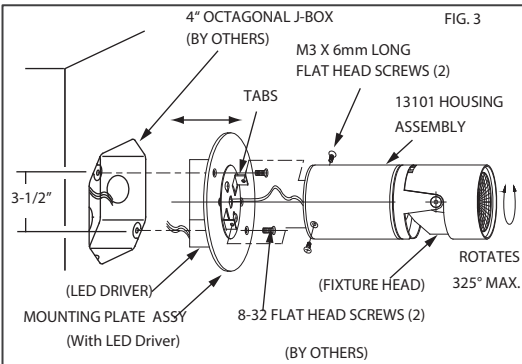


FIGURE 3: FIXTURE INSTALLATION (WALL MOUNT ONLY)

1. As needed remove Mounting Plate Assembly (MPA) from Housing Assy (FIG 1) by removing the two (2) M3 screws on the side of the fixture.
2. Mounting plate Assembly fits onto a 4" octagonal junction box (J-BOX) or other J-Boxes that have a 3-1/2" hole/screw spacing (see above dimensions). Other j-boxes may also fit. Make sure J-BOX threaded holes will fit MPA holes.
3. Install wiring in 4" octagonal J-BOX (or other j-box) in ceiling, as needed.
4. Connect the power supply wiring from J-BOX to fixture wiring from LED driver in j-box. See "Wiring" instructions below.
5. Secure Mounting Plate Assembly (with LED driver) on j-box (by others), LED driver fits in 4" octagonal j-box, with appropriate hardware (by others) (FIG 3). Keep wires from Housing Assembly to Mounting Plate Assembly attached. Do NOT pull on wires from Housing Assembly to LED driver.
6. Align the two (2) tabs on the Mounting plate to the slots in the top of the Housing Assembly (FIG. 3).
7. Tighten M3 screw with #1 screw driver in housing until set screw is flush with outside of housing. Do not over tighten screws.

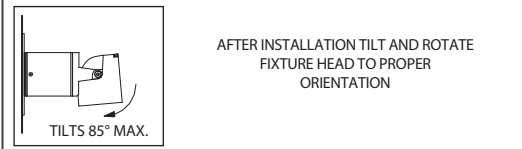


FIGURE 4: CHANGING REFLECTOR (FIG. 4)

1. Remove fixture from mounting surface. Point fixture (A) downward and then lightly press and turn Trim (D) counterclockwise to unscrew and remove Trim (D) with Glass (C) and Reflector (B) from fixture housing (A).
2. Twist Reflector (B) until tab aligns with Trim (D). Push up and remove Reflector (B) and Glass (C) (as needed) from Trim (D).
3. Replace Reflector (B) with a new Reflector and reverse procedure in steps 1 and 2 above to install trim snug (finger tight) in housing. Do not over tighten trim in housing.

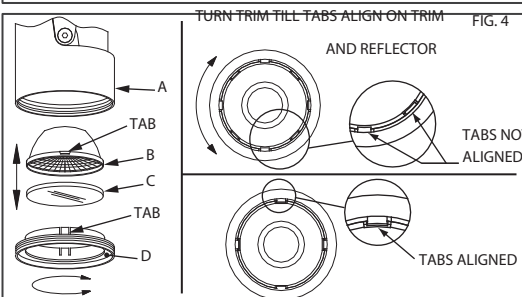


FIGURE 5: RELAMPING: Return fixture to Alcon for servicing/replacing LED and LED drivers.

WIRING NOTE: Check fixture for input voltage before connecting power to fixture. Connect wiring in j-box. For dimming information (wiring diagrams, chart, etc.) see 13101 website page.

1. Connect ground wire (green or bare copper/aluminum) from the supply circuit to the ground wire (green or bare copper) / screw / connector from the fixture.
2. Connect the neutral (common) wire from the power supply circuit to the neutral wire from the fixture.
3. Connect the main voltage supply wire (line/lead) from the power supply to the line (lead) wire from the fixture.
4. Secure connection using UL Listed wire nuts/connectors and then with UL Listed Electrical tape (by others), as required, appropriate for the connection.

01182019

SAVE THESE INSTRUCTIONS

Keep these instructions in a safe place for future use/reference.

Important: Please read and understand all instructions completely before installing this fixture.

WARNING: Fixture installation (and use) and all electrical connections must be in accordance with local and National Electrical Codes (N.E.C.) rules, regulations and standards. If you are unfamiliar with installing fixture(s), accessories and/or electrical wiring have a qualified licensed electrician install this fixture for you. Fixture should be installed by a qualified electrician.

WARNING: RISK OF SHOCK. House electric current can cause painful shock or serious injury. **WARNING:** Always disconnect power before fixture installation, wiring, or maintenance. **WARNING:** Before starting the wire connections, disconnect the power by turning off the circuit breaker or removing the fuse at the fuse panel. Turning the power off using the light switch is not sufficient to prevent electrical shock.

This luminaire must be connected with supply wire/conductors rated at 90°C. Most dwellings built before 1985 have supply wire rated at 60°C; consult a qualified electrician before installing.

WARNING: Before service insure fixture is cool to touch.

WARNING: Check fixture for input voltage before connecting power to fixture.

WARNING: RISK OF SHOCK. Fixture is suitable for dry locations (unless otherwise stated on fixture, Alcon's web site or other installations. Also for use with covered ceiling mount.

WARNING: Do not install any fixture or assembly (etc.) closer than 6" from any curtain, or similar combustible material.

Fixture must be installed on a circuit protected by Ground Fault Circuit Interrupter (GFCI).

Fixtures that are not LED:

For installing lampholder, make sure to refer to other instructions within your fixture, as required. For installing lamps please refer to your lamp manufacturers' instructions.

LED Fixtures:

RELAMPING:

Return fixture to Alcon servicing/replacing LED and LED drivers, as required.

Install LED fixture(s)/LED driver(s) only on their own circuit. Do not mix any other products (Incandescent, Compact Fluorescent, H.I.D. products/ fixtures, etc...) with LED fixture(s)/LED driver(s) on a single circuit.

Do not use any other electrical equipment (example: surge protector photocell, etc.) that is not (rated) for use with LED fixture(s)/LED driver(s) on the same circuit as LED fixture(s)/LED driver(s).

Install remote surge protector(s) (by others, goes on the circuit with nothing between the surge protector and the LED fixture(s)/LED driver(s)), if the fixture is not already installed with a surge protector, to help remove power surges that may harm LED fixture(s), appropriate for the installation. Periodically check and make sure that your remote surge protector(s) are in good working order.

Components/Parts: Track Mount w/ Single Circuit Track(1CCT) or Dual Track (2 CCT) Tools Required

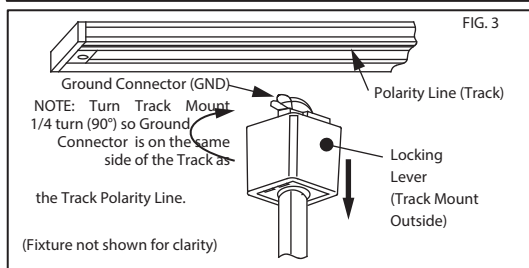
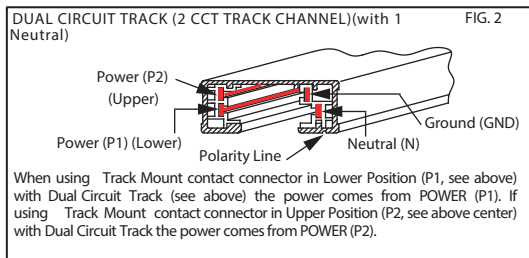
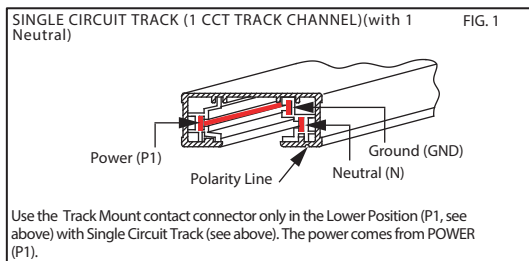
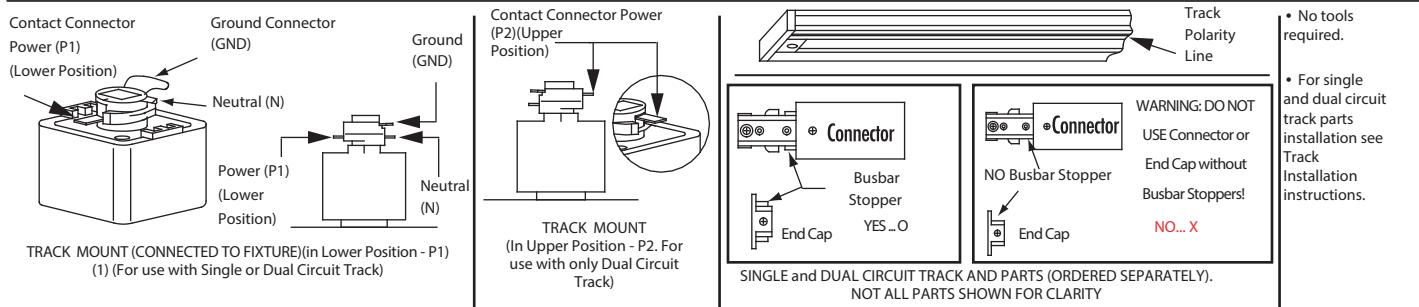


FIGURE INSTALLATION
WARNING: Use only Alcon Track parts (see above and FIG. 1 and 16) with Track Mount (connected to fixture). Do not use Track Mount with any other manufacturers track (system, parts, etc.).
WARNING: To avoid the potential risk of fire and shorting, you should not under any circumstances use the connectors and end cap without Busbar Stoppers (see above picture with "NO...X" mark) for your track system!
WARNING: Always disconnect power before fixture installation, wiring, or maintenance.

1. Install Alcon's Track as per Track Installation Instructions.
2. Note which Alcon track type is installed, Single Circuit Track (see FIG. 1) or Dual Circuit Track (see FIG. 2).
3. CAUTION: Before Installing Track Head in track, make sure power contact conductor is in the right position!
4. When using Single Circuit Track (see FIG. 1 left) make sure the Track Mount "Power" contact connector location is in the Lower Position - P1 (see above left). When using Dual Circuit Track (see FIG. 2 left) make sure the Track Mount "Power" contact connector location is either in the Lower position - P1 (see above left) for the Track P1 lower circuit (see FIG. 1) or in the Upper position - P2 (see above) for the Track P2 upper circuit (see FIG. 2). As needed push up or down on the Track Mount "Power" contact connector to put connector in the P1 or P2 position. For the Dual Circuit Track each circuit is rated for 2400 Watts and will allow you to control two individual sets of fixtures.
5. Locate the Track Polarity line and the Ground Connector on the and Track Mount (see above left and FIG. 2 and FIG. 3).
6. Pull down on the Track Mount locking lever and insert the Adapter Contacts in the Alcon Single or Dual Circuit Track slots (see FIG. 3).

6. Rotate Track Mount one quarter (1/4) turn (90 degrees) so that the Track Mount Ground Connector (side of Track mount with two contacts) is on the same side of the track as the Track polarity line (see FIG.17) and locking lever locks back in place. Do NOT rotate Track Mount Ground to the side of the track without the Polarity Lines. Make sure track lock in place.
7. To remove fixture pull down on the locking lever and rotate 1/4 turn (90 degrees).