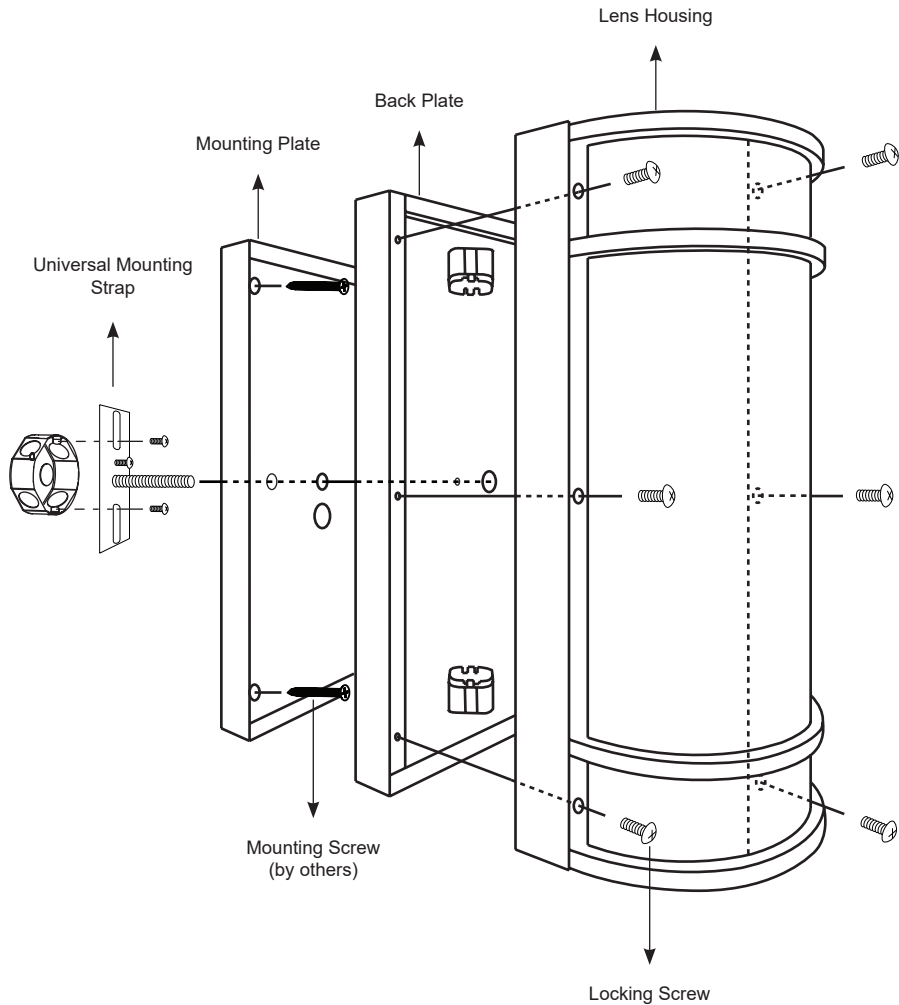
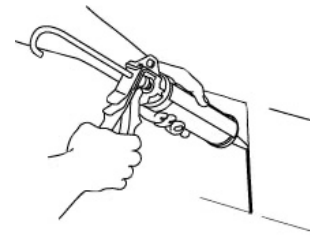


## 12524-INSTALLATION INSTRUCTIONS



1. Install universal mounting strap to the junction box.
2. Make wire connections and install mounting plate over universal mounting strap with mounting screw (by others).
3. Put back plate to mounting plate with center nipple and tighten nut.
4. Place lamps in holders.
5. Install lens housing on back plate using the locking screws provided.
6. Add silicone caulking all around the back area of mounting plate.



**\* Alcon Lighting will not take any responsibility, If you don't add silicone caulk on mounting surface. (Must apply silicone caulk to be certified under UL.)**

**WARNING:**



RISK OF FIRE AND ELECTRICAL SHOCK. FIXTURE MUST BE INSTALLED BY A QUALIFIED ELECTRICIAN ONLY IN ACCORDANCE WITH NATIONAL, LOCAL BUILDING AND ELECTRICAL CODES. DISCONNECT POWER AT ELECTRICAL PANEL BEFORE SERVICING.