



BEFORE YOU BEGIN
Read and follow all safety instructions



WARNING

RISK OF FIRE, EXPLOSION AND ELECTRIC SHOCK

- This product should be installed, inspected, and maintained by a qualified electrician only, in accordance with the NEC (National Electric Code) and all local codes.
- Turn off electrical power before inspection, installation or removal.
- Use only UL (or other NRTL) approved wire for input/output connections.
- Make sure LEDs and drivers are cool to touch when performing maintenance.
Make sure the supply voltage is the same as the rated voltage of the luminaire.
- Do not install in a hazardous atmosphere, except where the ambient temperature does not exceed the rated operating temperature of the fixture.
- Keep tightly closed when in operation



Prepare Electrical Wiring



Electrical Requirements

Must check if the local voltage range is correspond with the working voltage of the fixture. Use min. 75°C supply.



Grounding Instructions

The grounding and bonding of the overall system shall be done in accordance with NEC Article 600 and local codes.



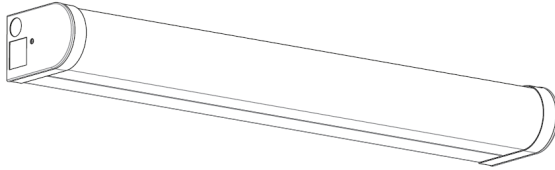
Follow all applicable safety procedures and use Personal Protective Equipment such as hardhats, safety glasses, reflective vest, electrical safety gloves, fall protection equipment and safety toe boots during the installation, operation, and maintenance of the luminaire.

Contractor is responsible for adequately reinforcing ceilings to support luminaire weight. Alcon Lighting accepts no responsibility for inadequately reinforced ceilings. The information contained in this drawing is the sole property of Alcon Lighting.

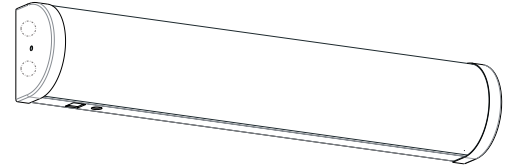
Any reproduction in part or whole without the written permission of Alcon Lighting is prohibited and warranty is voided.

12519 / 12520 / 12521 / 12522 INSTALLATION INSTRUCTIONS

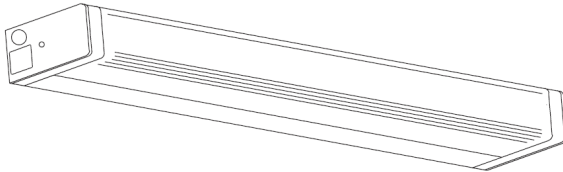
12519



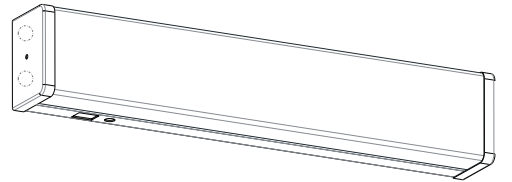
12521



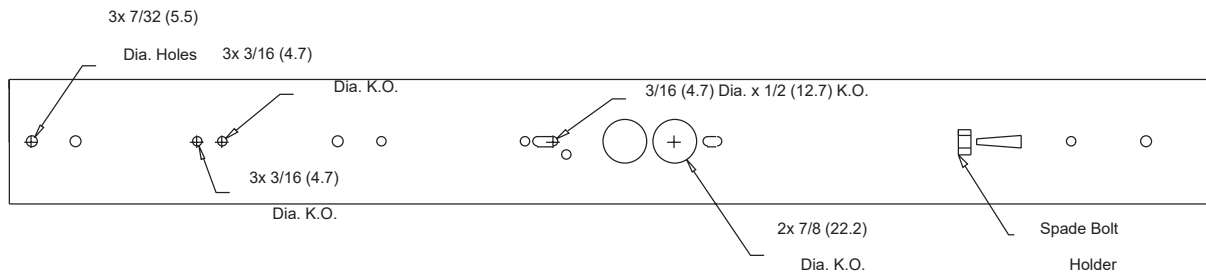
12520



12522

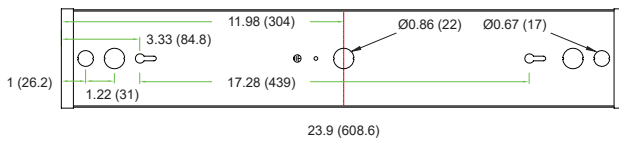


**12519 / 12520
BACK SIDE**

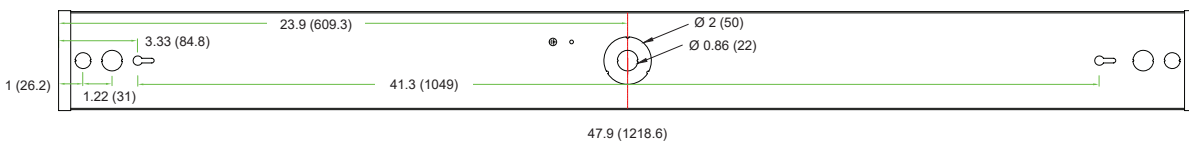


**12521 / 12522
BACK SIDE**

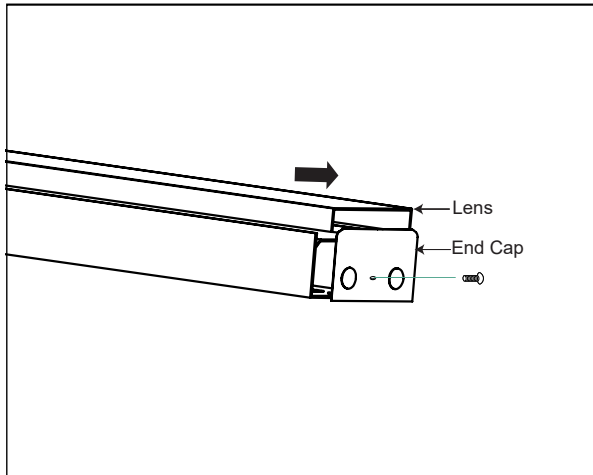
2FT



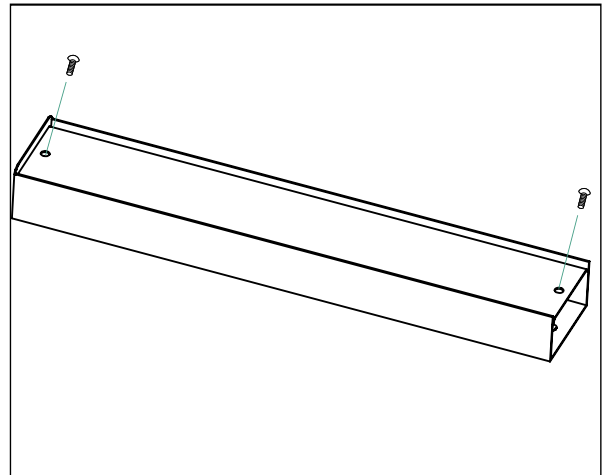
4FT



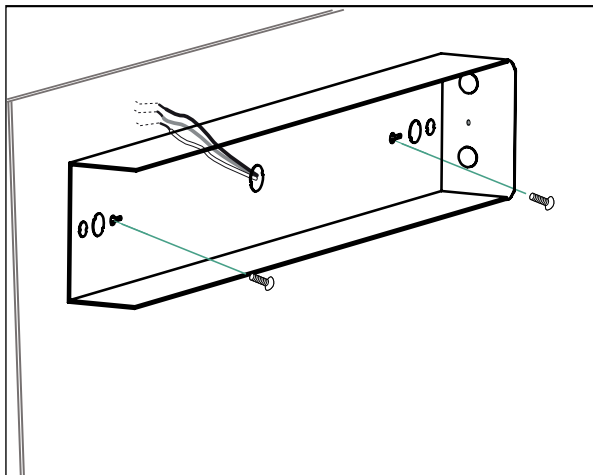
12519 / 12520 / 12521 / 12522 INSTALLATION INSTRUCTIONS



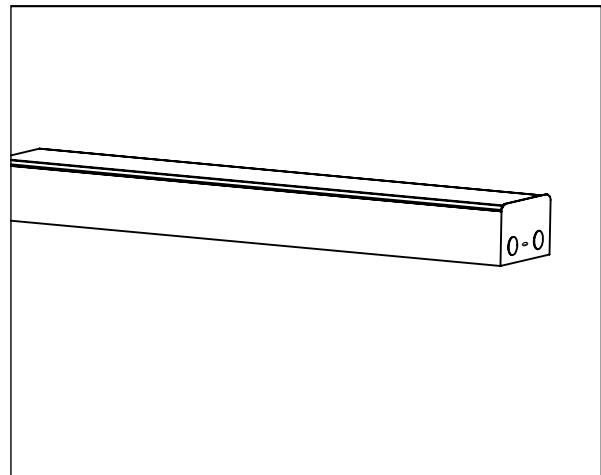
Unscrew and remove one end cap and slide out the lens.



Unscrew and remove the module plate.



Punch a knockout in the center to make wire connection. Then screw & install the fixture on surface.



Reinstall module plate, lens and end cap to complete the installation.