

12513-12527-INSTALLATION INSTRUCTIONS



BEFORE YOU BEGIN

Read and follow all safety instructions

WARNING:



RISK OF FIRE AND ELECTRICAL SHOCK. FIXTURE MUST BE INSTALLED BY A QUALIFIED ELECTRICIAN ONLY IN ACCORDANCE WITH NATIONAL, LOCAL BUILDING AND ELECTRICAL CODES. DISCONNECT POWER AT ELECTRICAL PANEL BEFORE SERVICING.



WARNING

RISK OF FIRE, EXPLOSION AND ELECTRIC SHOCK

- This product should be installed, inspected, and maintained by a qualified electrician only, in accordance with the NEC (National Electric Code) and all local codes.
- Turn off electrical power before inspection, installation or removal.
- Use only UL (or other NRTL) approved wire for input/output connections.
- Make sure LEDs and drivers are cool to touch when performing maintenance.
Make sure the supply voltage is the same as the rated voltage of the luminaire.
- Do not install in a hazardous atmosphere, except where the ambient temperature does not exceed the rated operating temperature of the fixture.
- Keep tightly closed when in operation



Prepare Electrical Wiring



Electrical Requirements

Must check if the local voltage range is correspond with the working voltage of the fixture. Use min. 75°C supply.



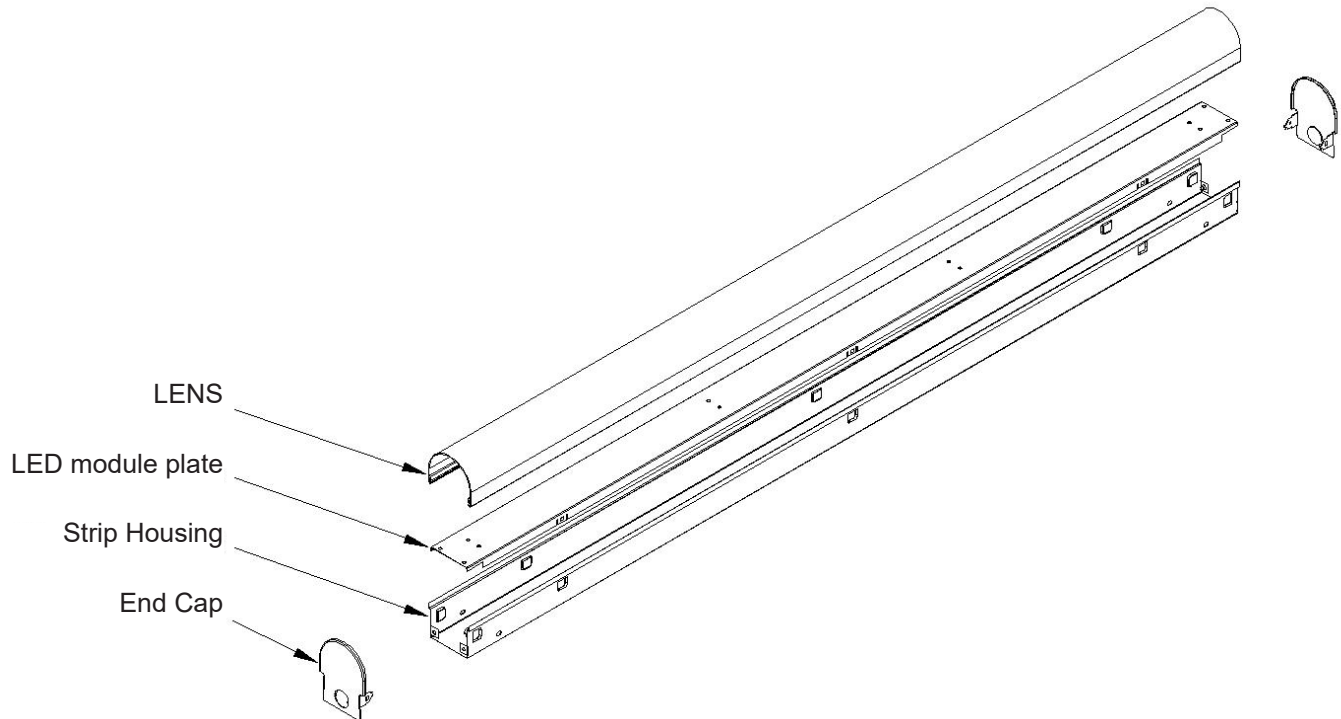
Grounding Instructions

The grounding and bonding of the overall system shall be done in accordance with NEC Article 600 and local codes.



Follow all applicable safety procedures and use Personal Protective Equipment such as hardhats, safety glasses, reflective vest, electrical safety gloves, fall protection equipment and safety toe boots during the installation, operation, and maintenance of the luminaire.

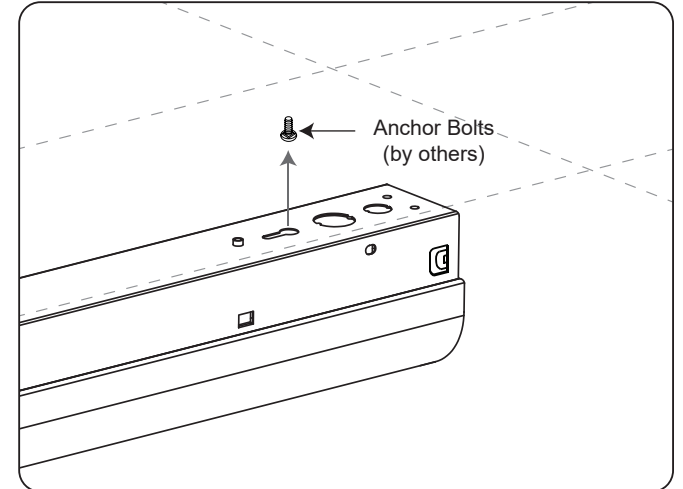
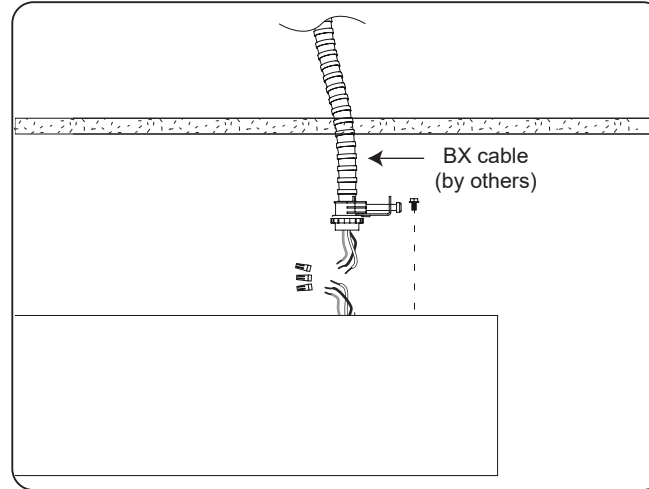
12513-12527-INSTALLATION INSTRUCTIONS



12513-12527-INSTALLATION INSTRUCTIONS

Hard Ceiling

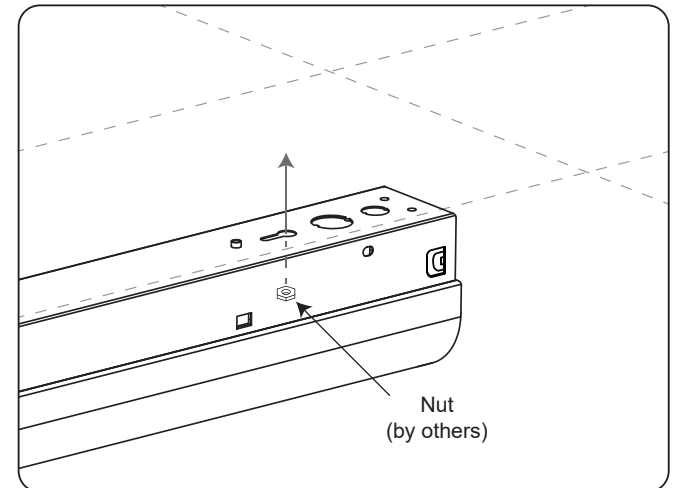
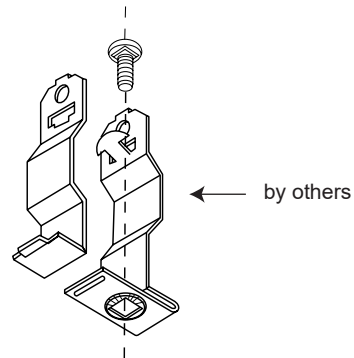
1. Remove LED module plate.
2. Locate the mounting holes and junction box (by others) for the fixture on the ceiling.
3. Connect the BX cables (by others) wires to the wires from the fixture push connected wires into the fixture.
4. Install fixture on to the ceiling and secure with Threaded stud/Hard ceiling anchor bolts (by others).
5. Reinstall LED Module Plate, Lens, and End caps.



T-Bar

1. Remove LED module plate.
2. Locate the mounting holes for the fixture on the ceiling.
3. Make sure to install Independent support clip/ Twist Clip (by others) with Stud.
4. Install fixture on to the ceiling and secure with nut (by others) on the Support clip/Twist clip stud.
5. Reinstall LED module plate, Lens, and End caps.

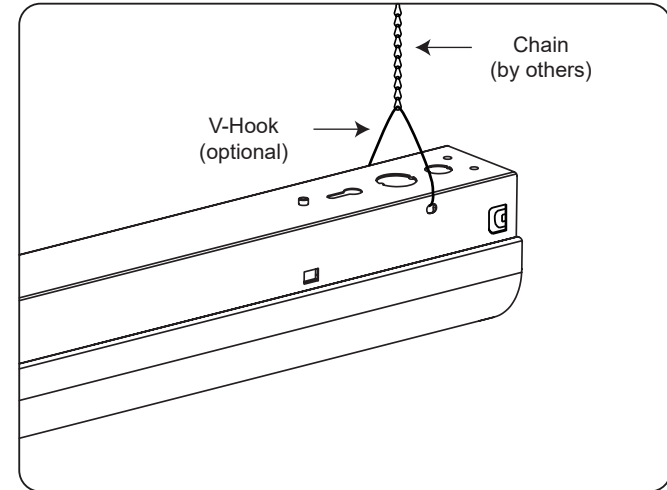
T-Bar Caddy Clip w/
1/4"-20 stud ; Drop Ceiling T-bar Mount



12513-12527-INSTALLATION INSTRUCTIONS

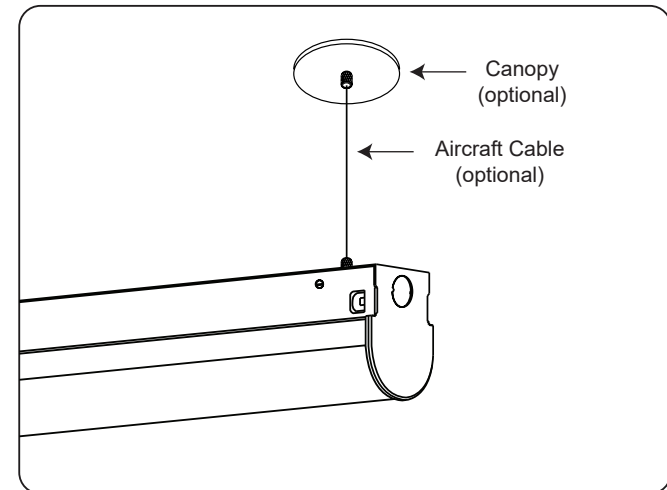
V-Hook

1. Make sure to install independent support chain(by others) on the ceiling.
2. Install V-Hook(optional) on fixture thru the holes on the side.



Aircraft Cable

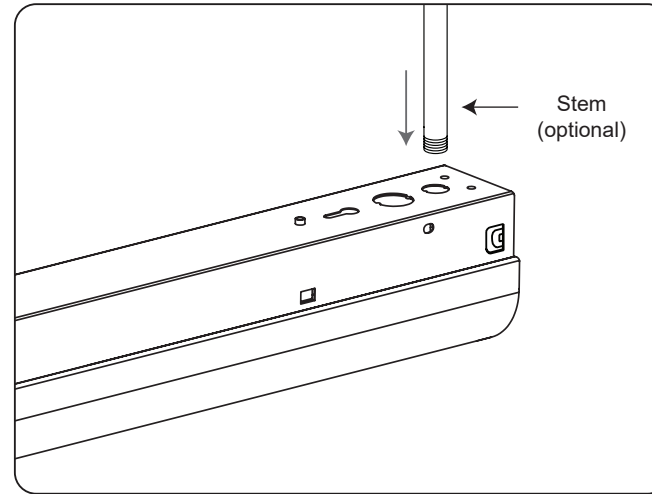
1. Make sure to install Adjustable Aircraft Cable(optional) with Canopy(optional) on the ceiling.
2. Hook up the fixture with the cable.



12513-12527-INSTALLATION INSTRUCTIONS

Stem

1. Remove LED Module plate.
2. Locate the mounting holes for the fixture on the ceiling.
3. Make sure to install provided Stem(optional) with Canopy(optional) on the ceiling.
4. Install fixture on to the ceiling and secure with nut on the stem.

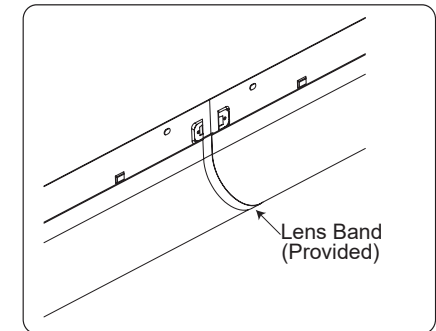
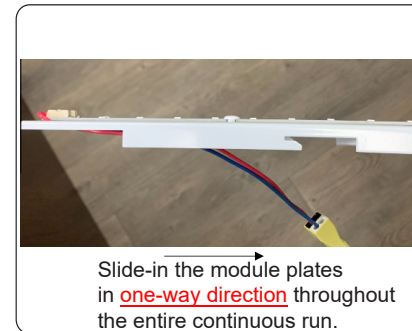
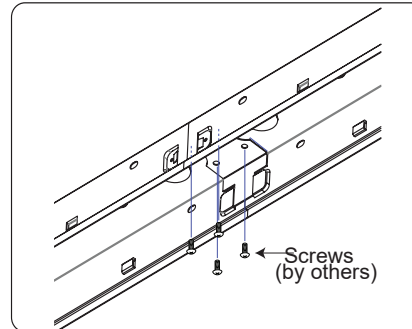


Continuous Row

*** Beginning run must be installed first & properly.**

Coupling (Joiner)

1. Make sure to install independent support hardware (stem/cable) on ceiling surface. (see next page)
2. Remove LED Module plate.
3. Lift fixture and attach to support hardware on the ceiling.
4. Lift and attach the other fixture in row.
5. Insert the coupler plate into each seam at the end of the fixture, and in the same way connect the other fixture in row. (make sure not to shake the fixture, the led module plate may fall down)
6. Tighten coupler plate with 4 screws (by others).
7. Slide-in the module plates in order from the beginning run. **Module plates MUST be inserted one-way direction.**
8. Insert the lens, and lens band (provided).
9. Insert the other lens, and End caps.



12513-12527-INSTALLATION INSTRUCTIONS

Continuous Row

