

12511 INSTALLATION INSTRUCTIONS



BEFORE YOU BEGIN
Read and follow all safety instructions



WARNING

RISK OF FIRE, EXPLOSION AND ELECTRIC SHOCK

- This product should be installed, inspected, and maintained by a qualified electrician only, in accordance with the NEC (National Electric Code) and all local codes.
- Turn off electrical power before inspection, installation or removal.
- Use only UL (or other NRTL) approved wire for input/output connections.
- Make sure LEDs and drivers are cool to touch when performing maintenance.
Make sure the supply voltage is the same as the rated voltage of the luminaire.
- Do not install in a hazardous atmosphere, except where the ambient temperature does not exceed the rated operating temperature of the fixture.
- Keep tightly closed when in operation



Prepare Electrical Wiring



Electrical Requirements

Must check if the local voltage range is correspond with the working voltage of the fixture. Use min. 75°C supply.



Grounding Instructions

The grounding and bonding of the overall system shall be done in accordance with NEC Article 600 and local codes.



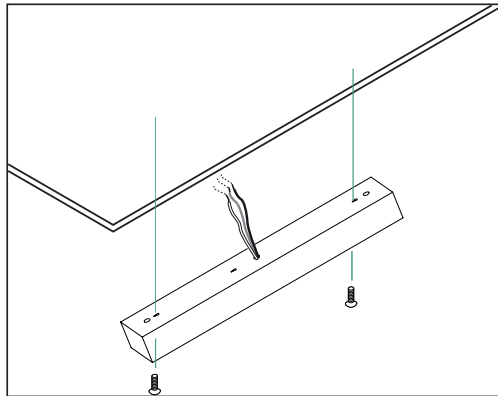
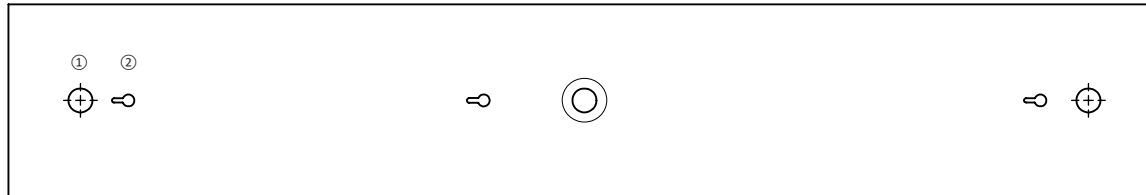
Follow all applicable safety procedures and use Personal Protective Equipment such as hardhats, safety glasses, reflective vest, electrical safety gloves, fall protection equipment and safety toe boots during the installation, operation, and maintenance of the luminaire.



WARNING: RISK OF FIRE AND ELECTRICAL SHOCK. FIXTURE MUST BE INSTALLED BY A QUALIFIED ELECTRICIAN ONLY IN ACCORDANCE WITH NATIONAL, LOCAL BUILDING AND ELECTRICAL CODES. DISCONNECT POWER AT ELECTRICAL PANEL BEFORE SERVICING.

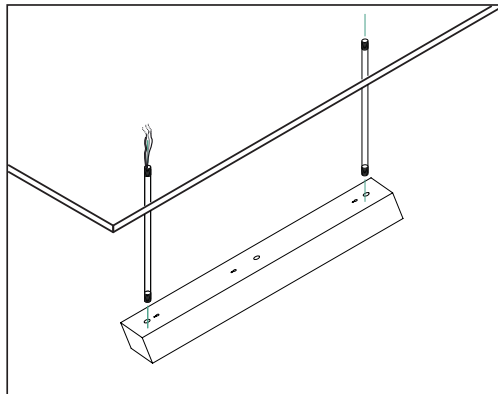
12511 INSTALLATION INSTRUCTIONS

BACK SIDE



SURFACE MOUNT

1. Remove lens and LED module plate.
2. Exit out the power supply and ground wire through the center hole, then make wire connection.
3. Use the key holes (Ⓜ) on the back of the housing with screws to fix the fixture on the ceiling.
4. Reinstall the module plate and lens.



STEM MOUNT

1. Remove lens and LED module plate.
2. Exit out the power supply and ground wire through one of the stem holes (①), and make wire connection.
3. Hang the fixture with stems by twisting stem rod tightly.
4. Reinstall the module plate and lens.