

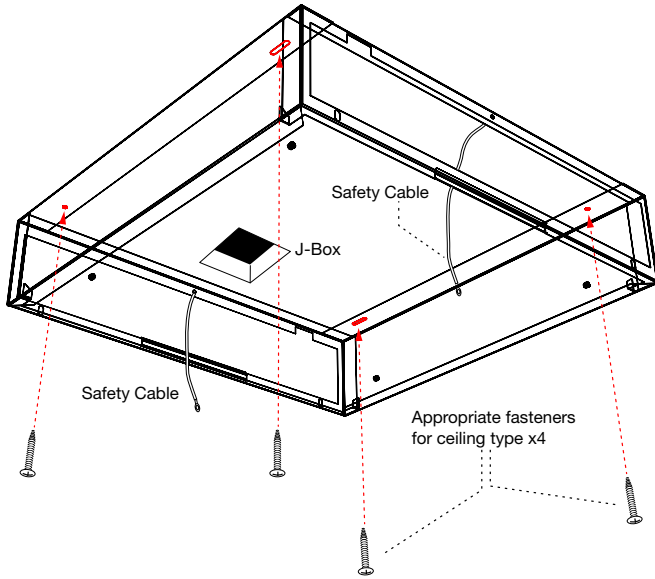
**WARNINGS**

- 1). **WARNING!** Risk of Electric Shock. Disconnect power at fuse or circuit breaker before installing or servicing.
- 2). **WARNING!** - Risk of Fire/Electric Shock. If not qualified, consult an electrician.
- 3). **WARNING!** - Risk of fire or electric shock. Luminaires wiring, ballasts, or other electrical parts may be damaged when drilling for installation of reflector kit hardware. Check for enclosed wiring and components.

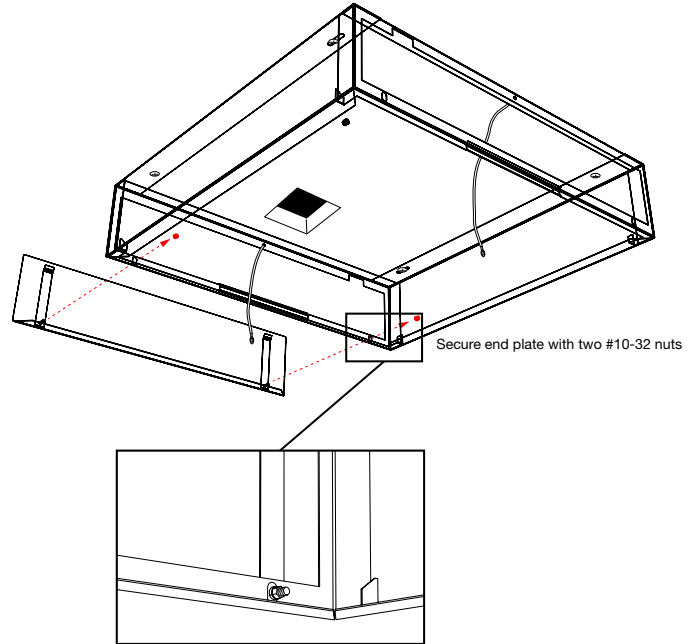
**NOTES**

- 1). **NOTE!** - This product must be installed in accordance with the applicable installation code by a certified electrician, familiar with the construction and operation of the product and hazards involved.
- 2). **NOTE!** - Only those open holes indicated in the photographs and/or drawings may be made or altered as a result of kit installation. Do not leave any other open holes in an enclosure of wiring or electrical components.
- 3). **NOTE!** - To prevent wiring damage or abrasion, do not expose wiring to edges of sheet metal or any sharp objects.
- 4). **NOTE!** - Disconnect all power before proceeding.

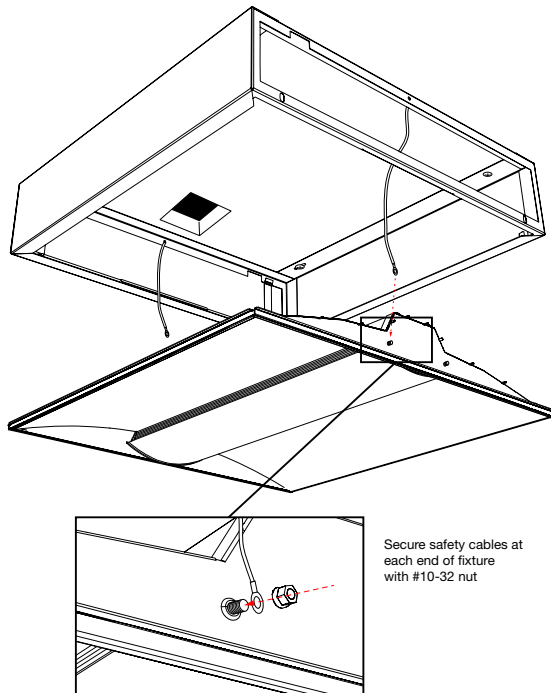
1. Using the appropriate dimensions and fasteners described on page 1, rough in junction box and loosely secure the surface mount frame to the ceiling. Ensure the frame is square prior to fully securing the frame to the ceiling. Slots will allow for adjustment once the frame is attached.



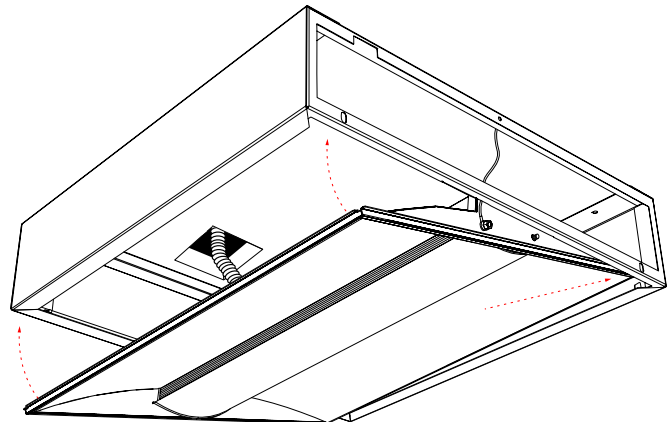
2. Secure end plate to one side of surface mount frame by securing clips to frame edge and rotating slots into studs on frame. Secure using two #10-32 nuts.



3. Prior to wiring fixture, secure safety cables at each end of the fixture by attaching to the existing protruding screws and secure with #10-32 nuts.



4. Make all electrical connections according to local code and make sure safety cables are secure. Angle the fixture into the bottom opening of the surface mount box. When installed properly, the fixture will rest on the bottom flange of the surface mount kit between locating tabs on all four corners. If the fixture is not resting properly on the bottom flange, lift it up and shift it until it rests into place.



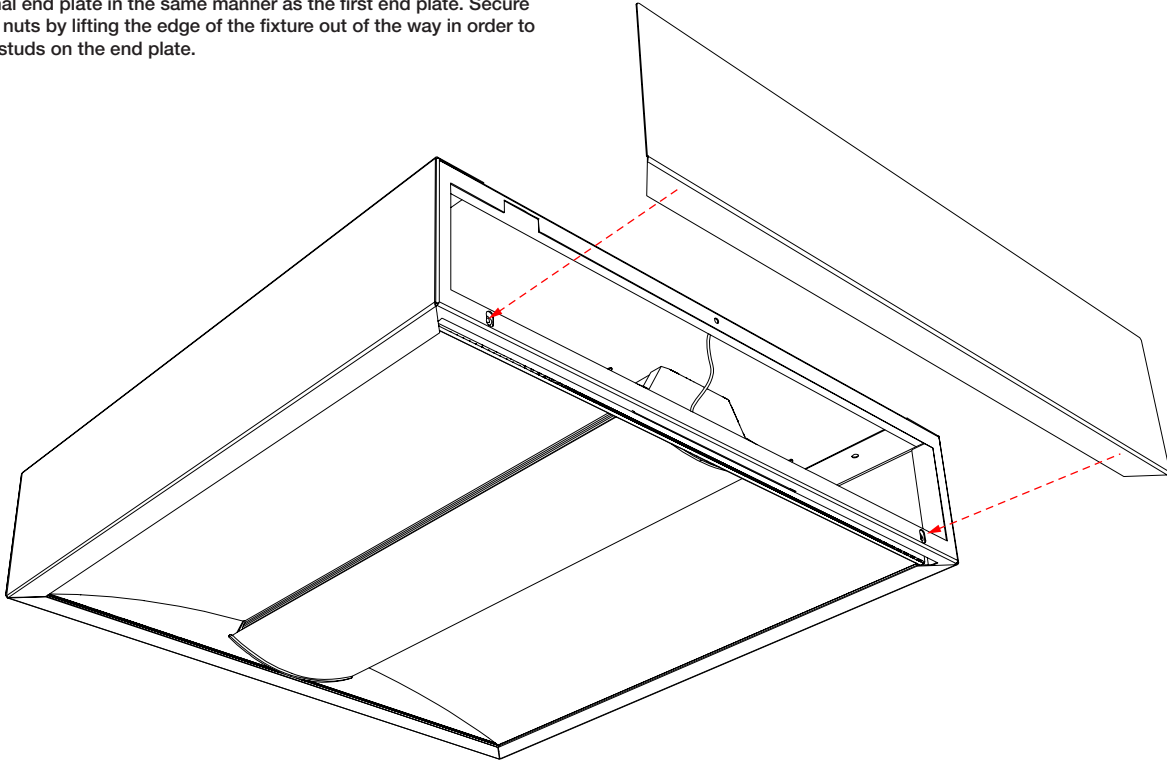
### WARNINGS

- 1). **WARNING!** Risk of Electric Shock. Disconnect power at fuse or circuit breaker before installing or servicing.
- 2). **WARNING!** - Risk of Fire/Electric Shock. If not qualified, consult an electrician.
- 3). **WARNING!** - Risk of fire or electric shock. Luminaires wiring, ballasts, or other electrical parts may be damaged when drilling for installation of reflector kit hardware. Check for enclosed wiring and components.

### NOTES

- 1). **NOTE!** - This product must be installed in accordance with the applicable installation code by a certified electrician, familiar with the construction and operation of the product and hazards involved.
- 2). **NOTE!** - Only those open holes indicated in the photographs and/or drawings may be made or altered as a result of kit installation. Do not leave any other open holes in an enclosure of wiring or electrical components.
- 3). **NOTE!** - To prevent wiring damage or abrasion, do not expose wiring to edges of sheet metal or any sharp objects.
- 4). **NOTE!** - Disconnect all power before proceeding.

- 5). Attach the final end plate in the same manner as the first end plate. Secure with two #10-32 nuts by lifting the edge of the fixture out of the way in order to thread onto the studs on the end plate.



- 6). Installation completed. Fixture is ready to power on.

