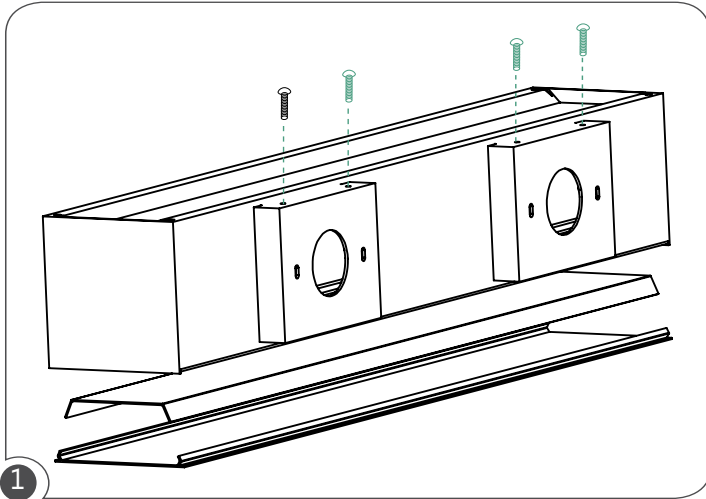
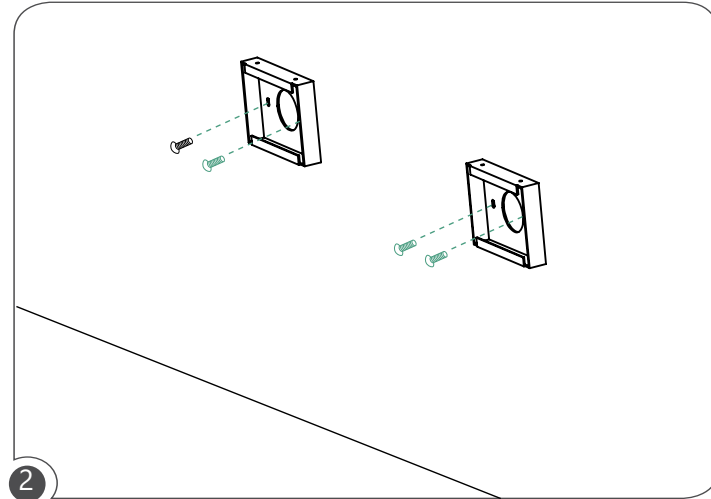


CUBE2, CUBE4 WALL MOUNT INSTALLATION INSTRUCTIONS

CONTINUOUS RUN INSTALLATION



1 Remove lens, module plate and outer wall mount brackets.



2 Fix and secure the outer wall mount brackets on the wall, screws provided by others.

