

12301 - INSTALLATION INSTRUCTIONS

SAVE THESE INSTRUCTIONS

Important: Please read and understand all instructions completely before installing this fixture.

WARNING: Fixture installation (and use) and all electrical connections must be in accordance with local and National Electrical Codes (N.E.C.) rules, regulations and standards. If you are unfamiliar with installing fixture(s), accessories and/or electrical wiring have a qualified licensed electrician install this fixture for you. Fixture should be installed by a qualified electrician.

WARNING: RISK OF SHOCK. House electric current can cause painful shock or serious injury. WARNING: Always disconnect power before fixture installation, wiring, or maintenance. WARNING: Before starting the wire connections, disconnect the power by turning off the circuit breaker or removing the fuse at the fuse panel. Turning the power off using the light switch is not sufficient to prevent electrical shock.

This luminaire must be connected with supply wire/conductors rated at 90°C. Most dwellings built before 1985 have supply wire rated at 60°C; consult a qualified electrician before installing.

WARNING: Before service insure fixture is cool to touch.
WARNING: Check fixture for input voltage before connecting power to fixture.

WARNING: RISK OF SHOCK. This fixture is suitable for dry and damp locations. Also for use with covered ceiling mount.

WARNING: Do not install any fixture or assembly (etc.) closer than 6" from any curtain, or similar combustible material.

Fixture must be installed on a circuit protected by Ground Fault Circuit Interrupter (GFCI).

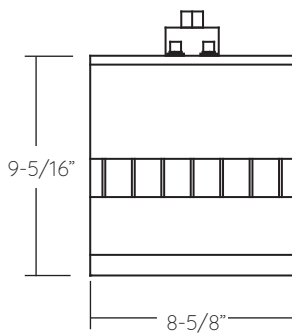
Install LED fixture(s)/LED driver(s) only on their own circuit. Do not mix any other products (Incandescent, Compact Fluorescent, H.I.D. products/ fixtures, etc...) with LED fixture(s)/LED driver(s) on a single circuit.

Do not use any other electrical equipment (example: surge protector photocell, etc.) that is not (rated) for use with LED fixture(s)/LED driver(s) on the same circuit as LED fixture(s)/LED driver(s).

Install remote surge protector(s) (by others, goes on the circuit with nothing between the surge protector and the LED fixture(s)/LED driver(s)), if the fixture is not already installed with a surge protector, to help remove power surges that may harm LED fixture(s), appropriate for the installation. Periodically check and make sure that your remote surge protector(s) are in good working order.

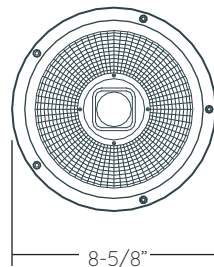
Components / Parts (12301-8 Only)

Tools Required

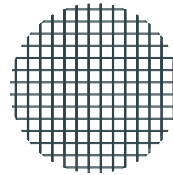


(Side View)

12301-8 (1)

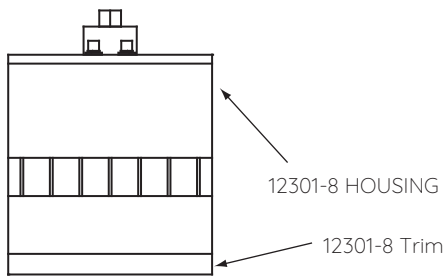


(Bottom View)



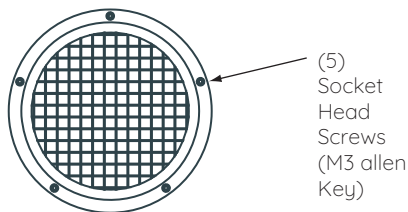
20 ga. wire guard (1)
(Installed in 12301-8)

- Adjustable Wrench
- M3 Allen Key
- Wire Connectors
- Hardware (screws, nuts, etc.)
- DO NOT USE POWER TOOLS. ONLY USE HAND TOOLS.



12301-8 HOUSING

12301-8 Trim



(5) Socket Head Screws (M3 allen Key)

12301-8 shown with 20 ga. Wire Guard installed in fixture (Come pre-Installed in 12301-8 fixture)

Removing the Wire Guard From The Fixture

Warning: Make sure fixture is not installed and is disconnected from power supply. Disassemble fixture on a table or other flat surface to avoid losing screws or breaking the glass lens (with gasket).

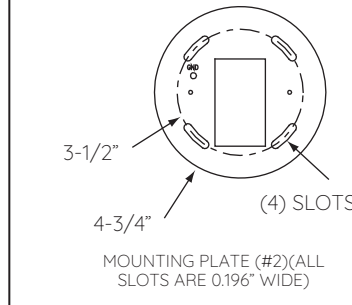
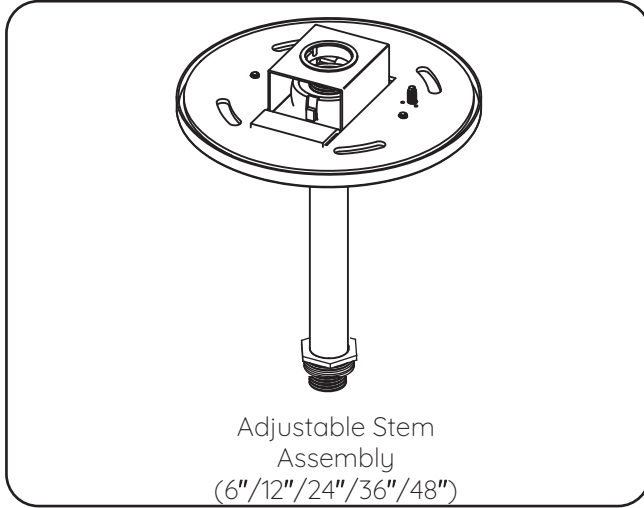
If the wire guard (installed in the fixture) is needed to be removed follow the below instructions. Otherwise go to the 12301-8 assembly instructions for your mounting option.

1. Remove the 5 screws with the M3 allen key (by others).
2. Remove Trim and Wire Guard from fixture while keeping the glass with gasket (not shown) in place.
3. Check to make sure that the gasket and glass are in place before putting the trim back on the fixture.
4. Replace Trim over the gasket with gasket and secure with screws by replacing the screws in the stem and tightening with the M3 allen key. Tighten securely until tight but do not over tighten screws.

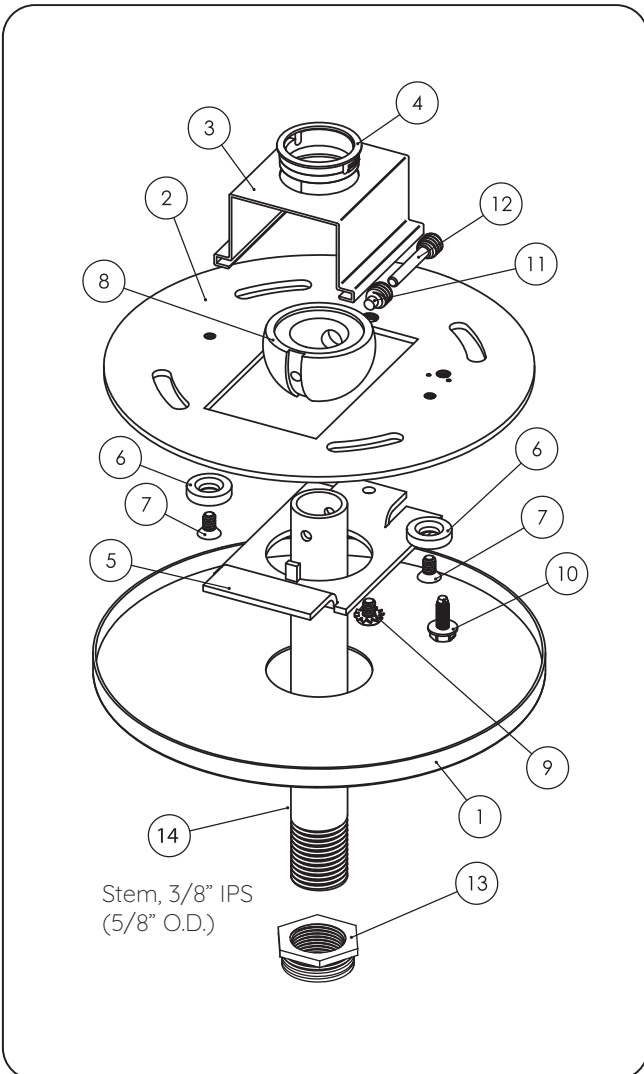
12301 - INSTALLATION INSTRUCTIONS

Components / Parts (Adjustable Stem Assembly only) Components Dimensions

Tools Required

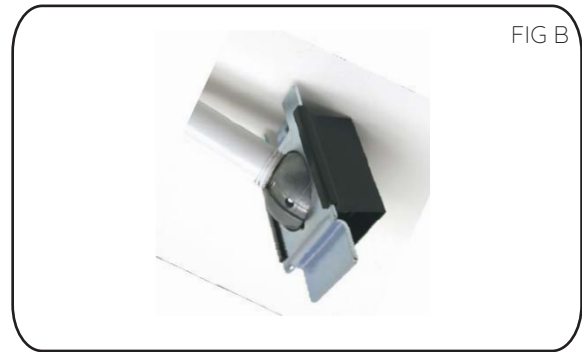
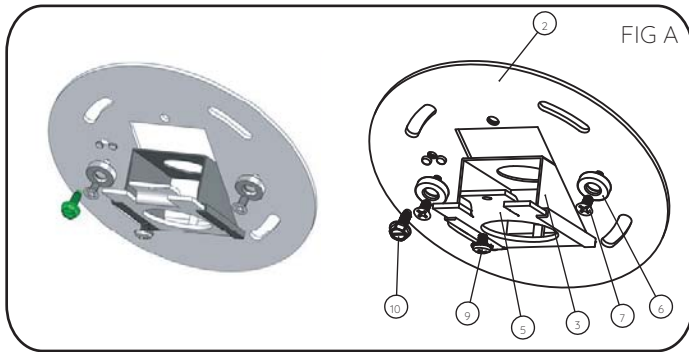


- Phillips Head Screwdriver
- Crescent/Adjustable Wrench(s)
- Wire Connectors (Rated at 90°C minimum temperature)
- 1/8" allen key (supplied)
- Hardware (screws, nuts, etc.)
- DO NOT USE POWER TOOLS.
- ONLY USE HAND TOOLS.

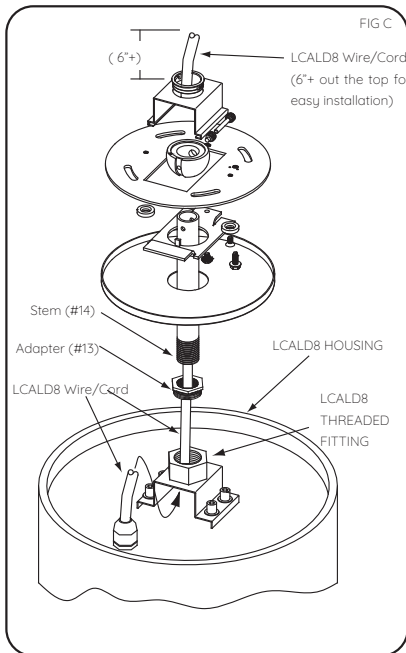


ITEM #	Description	Quantity
1	Canopy (5")	1
2	Mounting Plate (4-3/4")	1
3	U Retaining Bracket	1
4	Bushing (3/4" ID, Plastic, Black)	1
5	Half Ball Plate	1
6	Magnet (Round)	2
7	6-32 x 1/4" long Screw	2
8	Half Ball	1
9	8-32 x 1/4" Long Screw (w/ external star washer)	1
10	8-32 Ground (Green) Screw	1
11	1/4"-20 x 0.350" Long Socket Set Screw (for 1/8" hex hex)	1
12	1/4"-20 Half Ball Socket Set Screw (for 1/8" hex hex)	1
13	Adapter	1
14	Stem, 3/8" IPS (5/8" O.D.) x Length. (6" Long) (12" Long) (24" Long) (36" Long) (48" Long)	1

12301 - INSTALLATION INSTRUCTIONS



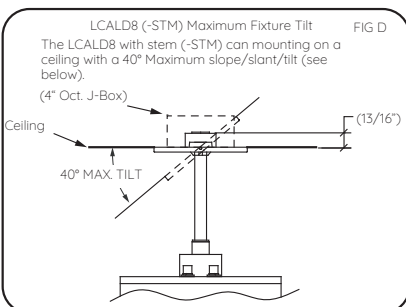
- Warning Electrical Shock Hazard: All wiring should be done by a qualified electrical professional.
- Disconnect all power sources before attempting to install fixture.
- Adjustable Stem Assembly is rated for 50 lbs Maximum Static Loads Only (No dynamic or moving loads).
- Not for chemical or pool corrosive environments.
- To prevent the 12301-8 fixture with the Adjustable Stem Assembly from falling during installation secure the 12301-8 fixture with the Adjustable Stem Assembly to the j-box with a cable (by others).



12301-8 with stem installation

Note: If shortening your supplied Stem (#14) to your desired length follow the instructions on page 4 before assembling and installing the Adjustable Stem Assembly to the ceiling with instructions below.

- 1) If not already installed then install the two (2) magnets (#6) with the two (2) 6-32 screws (#7) onto the Mounting Plate (#2), (FIG A).
- 2) Mount the Mounting Plate (#2) to a 4" octagonal j-box (by others) using j-box screws (by others). Tip: If you back off the j-box screws on the Mounting Plate (#2) then the Mounting Plate (#2) will slide closer to j-box. Remember to tighten the j-box screws when the Half Ball Plate (#5), j-box and Mounting Plate (#2) are in place.
- 3) Carefully pull wire conductors/Cord through the fixture Adapter (#13) and then through the Adjustable Stem (#14) 6" longer than the Stem (#14).
- 4) Install the Adapter (#13) onto the Stem (#14) and tighten and then tighten the Adapter (#13) (on the Stem (#14)) onto the fixture's threaded fitting.
- 5) Put the Canopy (#1) over the Stem (#14).
- 6) Place Half Ball Plate (#5) onto the Stem (#14).
- 7) Place Half Ball (#8) onto Stem (#14) and insert the Long 1/4"-20 Half Ball Socket Set Screw (#12), through the tapped hole in the Half Ball (#8) & through the Stem's (#14) 1/8" hole. Then tighten the long 1/4"-20 Half Ball Socket Set Screw (#12) using the supplied 1/8" allen wrench so the pin (on the end of the set screw (#12)) engages through opposite 1/8" hole in the Stem (#14) and into the opposite Half Ball (#8) hole.
- 8) Insert the Bushing (4) into the U Retaining Bracket (#3) and slide onto the Half Ball Rectangular Plate (#5).
- 9) While securing fixture connect the power supply wiring (from j-box) to fixture wiring from the Stem #14. See "Wiring" instructions below.
- 10) Hinge the Half Ball Rectangular Plate (#5), as shown, on the inside of the Mounting Plate (#2). Slide the Half Ball Rectangular Plate (#5) in so that the tapped screw holes on the other side of the Half Ball Rectangular Plate (#5) align with the Mounting Plate (#2). Secure in place with the 8-32 x 1/4" Long Screw (#9) (FIG A above).
- 11) Push the 5" Canopy (#1) up to Mounting Plate (#2) and onto the Magnets (#6) flush with the ceiling covering the j-box.



WIRING

NOTE: Check fixture for input voltage before connecting power to fixture. Connect wiring in j-box.

1. Connect ground wire (green or bare copper/aluminum) from the supply circuit to the ground wire (green or bare copper) /screw/connector from the fixture.
2. Connect the neutral (common) wire from the power supply circuit to the neutral wire from the fixture.
3. Connect the main voltage supply wire (line/lead) from the power supply to the line (lead) wire from the fixture.
4. Secure connection using UL Listed wire nuts/connectors and then with UL Listed Electrical tape (by others), as required, appropriate for the connection.

12301 - INSTALLATION INSTRUCTIONS

Shortening (Field Cut) the Adjustable Stem:



Warning: Always use eye protection proceeding below with adjusting / cutting / drilling / etc. the stem.



12



11



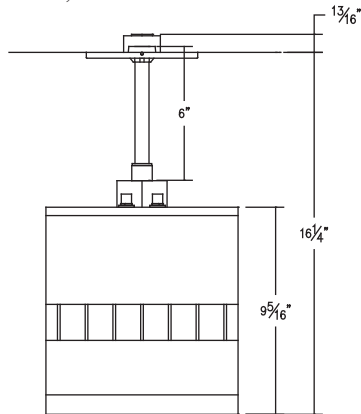
8

1/4-20 long set screw 1/4-20 short set screw Half Ball

12301-8 (-STM) Fixture vs Stem Lengths

FIG C

The bottom of the 12301-8 (below the ceiling) will always be 10-1/4" longer than the stem length (see 12301-8 -F6 example below).



1. Cut Stem (#14) to desired length (See FIG C for how for fixture is below ceiling) and deburr inside edge. Insert Half Ball (#8) onto the Stem (#14) with the end of the cut Stem even with the back of the Half Ball and insert 1/4-20 short set screw (#11) in the Half Ball and tighten the 1/4-20 short screw (#11) in the Half Ball to the Stem (#14).



2. Drill an 1/8" Hole through the hole on the Half ball opposite the 1/4-20 short set screw (#11). Always use eye protection.



3. Loosen the 1/4-20 short set screw (#11) in Half Ball (#8) and rotate the Half Ball 180 degrees placing 1/4-20 short set screw (#11) centered on the drilled 1/8" hole. Tighten the 1/4-20 short set screw (#11) allowing the 1/4-20 short set screw to be centered on hole. You should see the end of the 1/4-20 short set screw (#11) pin from/on the inside.



4. Drill a 2nd 1/8" hole through the hole on the Half Ball (#8) opposite the 1/4-20 short set screw (#11). Deburr any sharp edges on ID of stem from the holes just drilled.



5. Remove the 1/4-20 short set screw (#11), on Half Ball (#8) and insert the 1/4-20 Long set screw (#12) into Half Ball (#8) tapped hole and through the first drilled hole in Stem (#14) and then through to other drilled hole in the side of Stem. Tighten the 1/4-20 Long set screw (#12) using the 1/8" allen key so the end of the pin engages through opposite 1/8" drilled hole on opposite side of stem and into Half Ball. When finished return to page 3 of 4 to install Adjustable Stem Assembly (STM) in fixture.