

FIXTURE SPECIFICATIONS

INTENDED USE

For semi-flush ceiling or surface-mounted lighting that's made in the U.S.A., our architectural-grade LED product is ideal for downlighting your office, retail or modern residential interior. The high-CRI LED light fixture is available in silver with a frosted lens which is free from glare that snaps into place. Constructed and diecast in extruded aluminum metal, the end caps are available in a variety of finish colors.

FEATURES

Construction: Die-cast extruded aluminum body

Lens: Glare free snap-in frosted lens

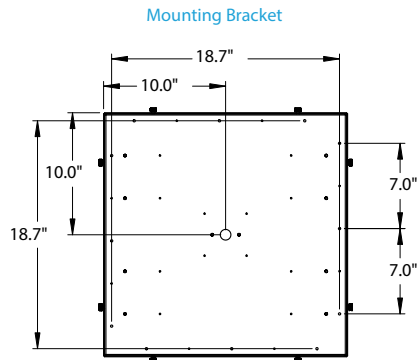
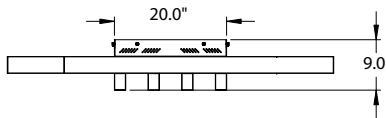
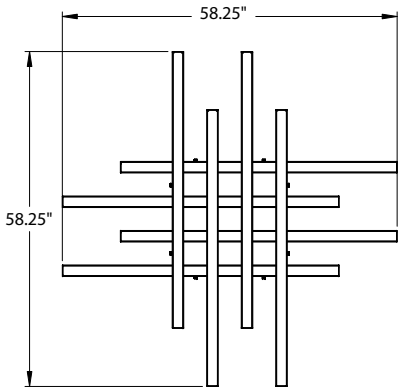
Driver: 0-10V Dimming

Voltage: 120-277V 50/60 Hz

Power Factor: >0.90

Warranty: 5 years carefree for parts & components (labor not included)

Listings: Made in the USA



ORDERING INFORMATION Example: (12285-LO-WH-BK-30K-8)

Model	Length	Fixture Finish	End Cap Finish	Color Temp	CRI	Options
12285	LO 148 Watts 17020 Lumens	WH White	BK Black	30K 3000K	8 <small>Standard</small> 80+ CRI	EM10 Remote 10W Emergency Battery Backup
	HI 266 Watts 30590 Lumens	BK Black	GBK Glossy Black	35K 3500K	9 90+ CRI	
		SL Silver	SL Silver	40K 4000K		
			BZ Bronze	50K 5000K		
			IR Iron			
			YL Yellow			
			OR Orange			
			RD Red			
			BL Blue			



Alcon 12285 Architectural Semi-Flush LED Surface-Mount Light

Available Finishes

Fixture Finishes

	White
	Black
	Silver

End Cap Finishes

	Black
	Glossy Black
	Silver
	Bronze
	Iron
	Yellow
	Orange
	Dark Red
	Red
	Blue



COLOR TEMPERATURE GUIDE



2700K	3000K	3500K	4000K	5000K
WARM WHITE	SOFT WHITE GLOW	NEUTRAL GLOW	COOL WHITE GLOW	DAYLIGHT GLOW
friendly personal intimate	soft warm pleasing	sociable inviting non-threatening	neat clean efficient	bright cool alert
HOMES LIBRARIES RESTAURANTS	HOMES HOTEL ROOMS LOBBIES RETAIL STORES	EXECUTIVE OFFICES RECEPTION AREAS SUPERMARKETS	OFFICES CLASSROOMS MASS MERCHANDISERS SHOWROOMS	GRAPHICS INDUSTRY HOSPITALS GALLERIES BEAUTY SALONS
✗	✓	✓	✓	✓