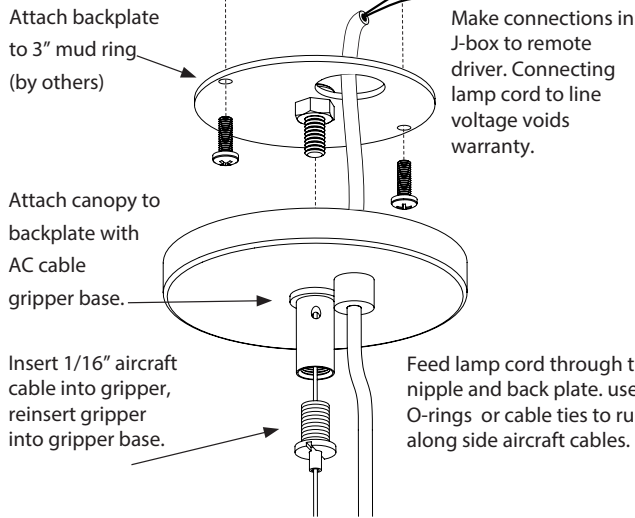
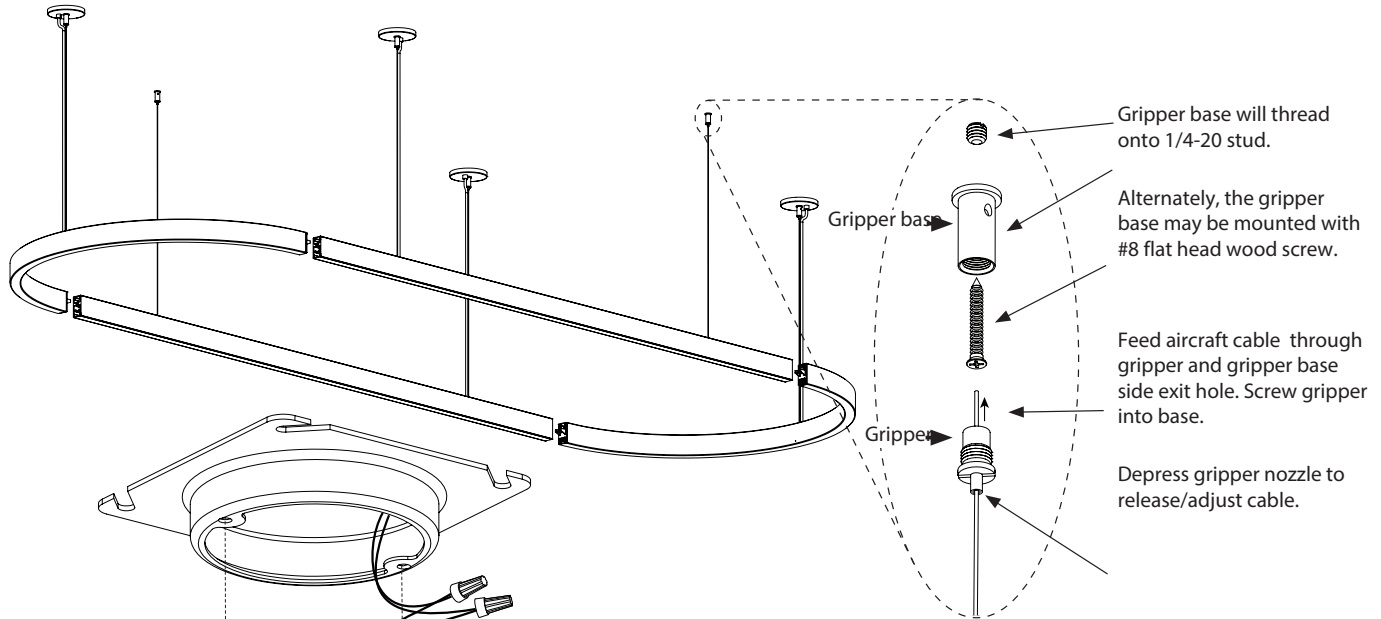
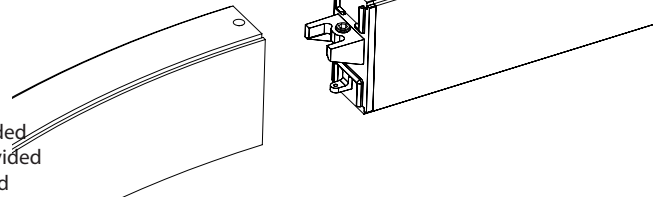


FIXTURE SPECIFICATIONS

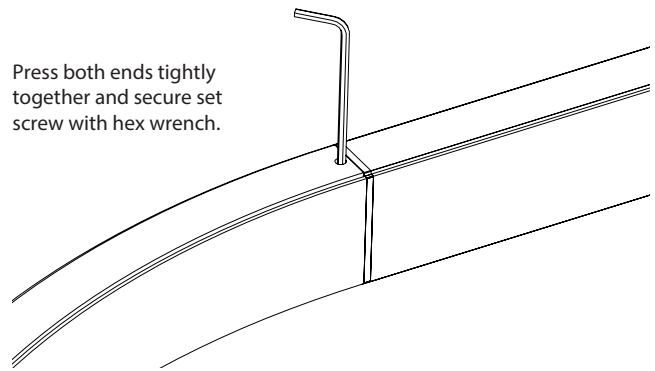
WARNING Disconnect main power at the source prior to installation! Fixture must be installed by a qualified electrician.



After making all mounting points and setting suspension lengths, mate open end to a joiner.



Press both ends tightly together and secure set screw with hex wrench.



Remote driver housing includes bar hangers to mount above suspended ceilings. Drivers must remain accessible after finished installation. Multiple driver housings must be spaced minimum 4 inches apart. Bar hangers and brackets may be removed for direct mount to structure with screws. Connect J-box to Driver housing with conduit (by others).

12258-C wiring:

Driver One: Red to DC positive }
Blue to DC negative }

Driver Two: Red/White to DC positive }
Blue/White to DC negative }

Dimming:

Purple and Gray wires from driver to 0-10V dimmer. Cap if unused.