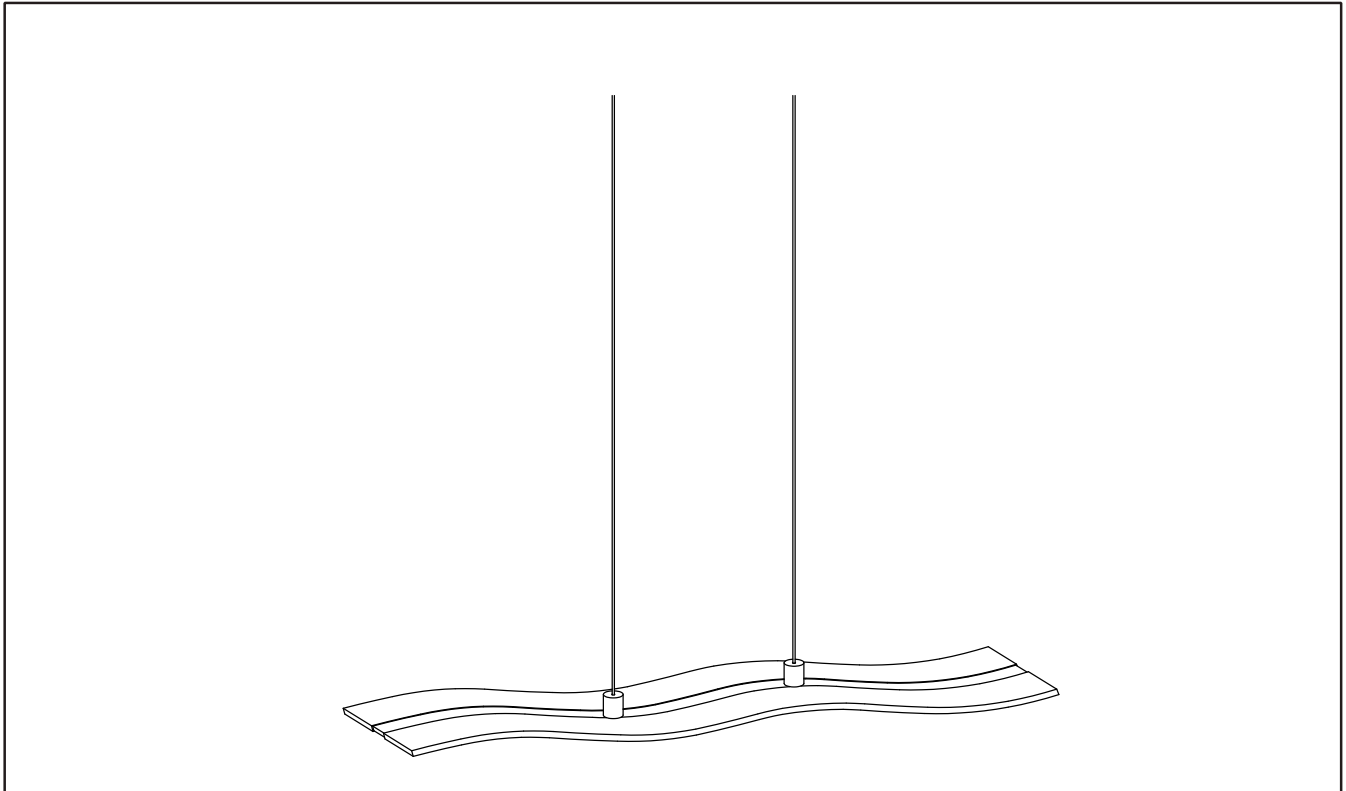
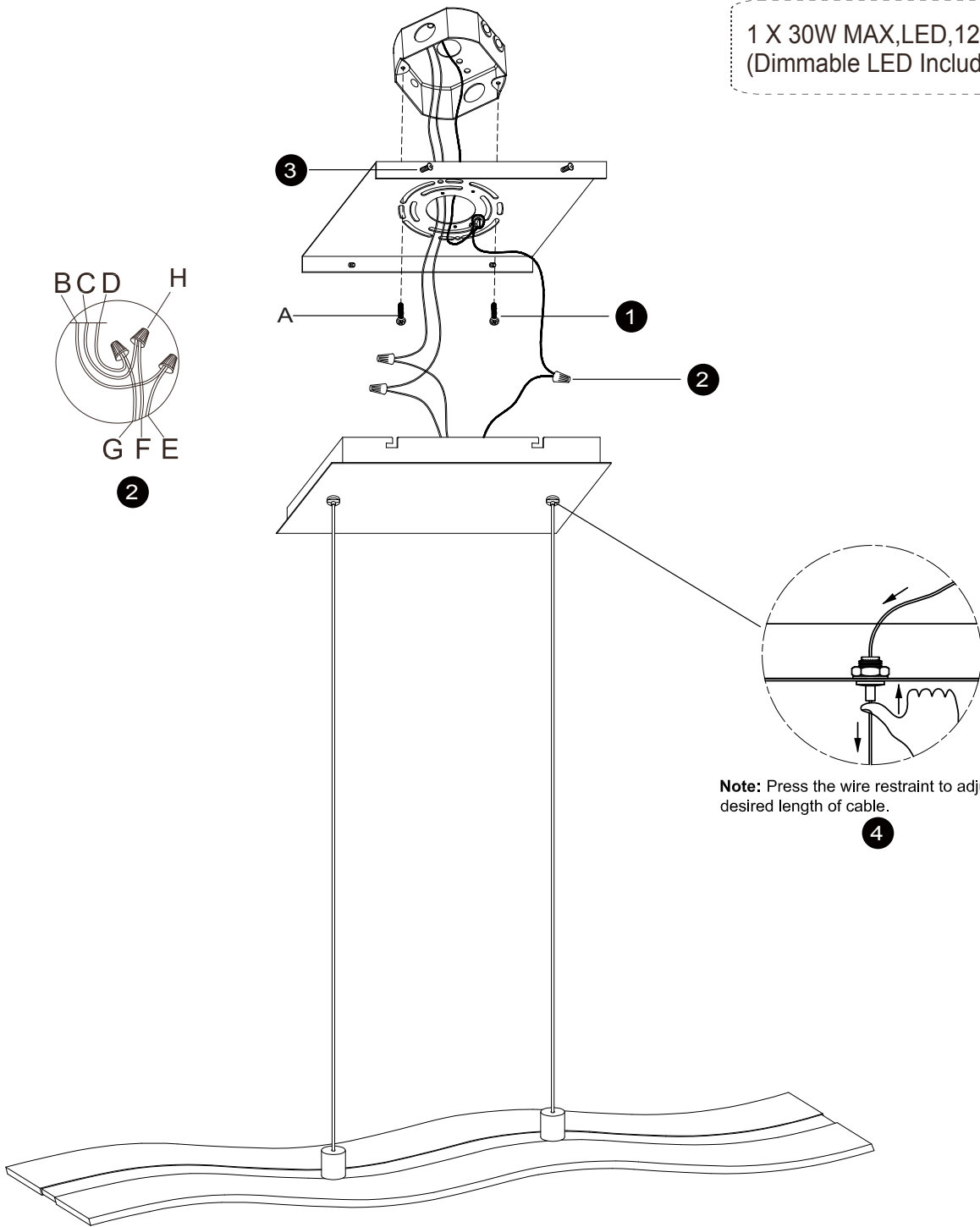


SAVE THESE INSTRUCTIONS FOR FUTURE REFERENCE

- Follow the assembly instructions by reading the numerical progression.
Use a qualified electrician for installation of this lighting fixture.
- Before installing fixture, disconnect power by turning off the circuit breaker or by removing the fuse at the fuse box.
- All electrical connections must be in accordance with local and National Electrical Code or Canadian Electrical Code standards.
- Use CSA or UL listed wire connectors suitable for the gauge, type and number of conductors.
- Attach junction box grounding wire (green or bare copper) and the bare copper wire from the fixture together. If junction box has no ground wire, attach the bare copper fixture wire to the green ground screw on the crossbar.
- Estimated Assembly Time: 20 minutes
- Tools Required For Assembly (not included): Flathead screwdriver, Phillips screwdriver, Pliers, Electrical tape and Wire cutters.
- Helpful Tools (not included): Wire strippers, Ladder



1 X 30W MAX, LED, 120V, 60Hz
(Dimmable LED Included)



Note: Press the wire restraint to adjust the desired length of cable.

- A-Outlet Box screw x 2
- B-Black wire(L) from junction box
- C-White wire(N) from junction box
- D-Green wire/Bare copper (G) from junction box
- E-Black wire (L) from fixture
- F-White wire (N) from fixture
- G-Green wire/Bare copper from fixture
- H-Wire connector x 3