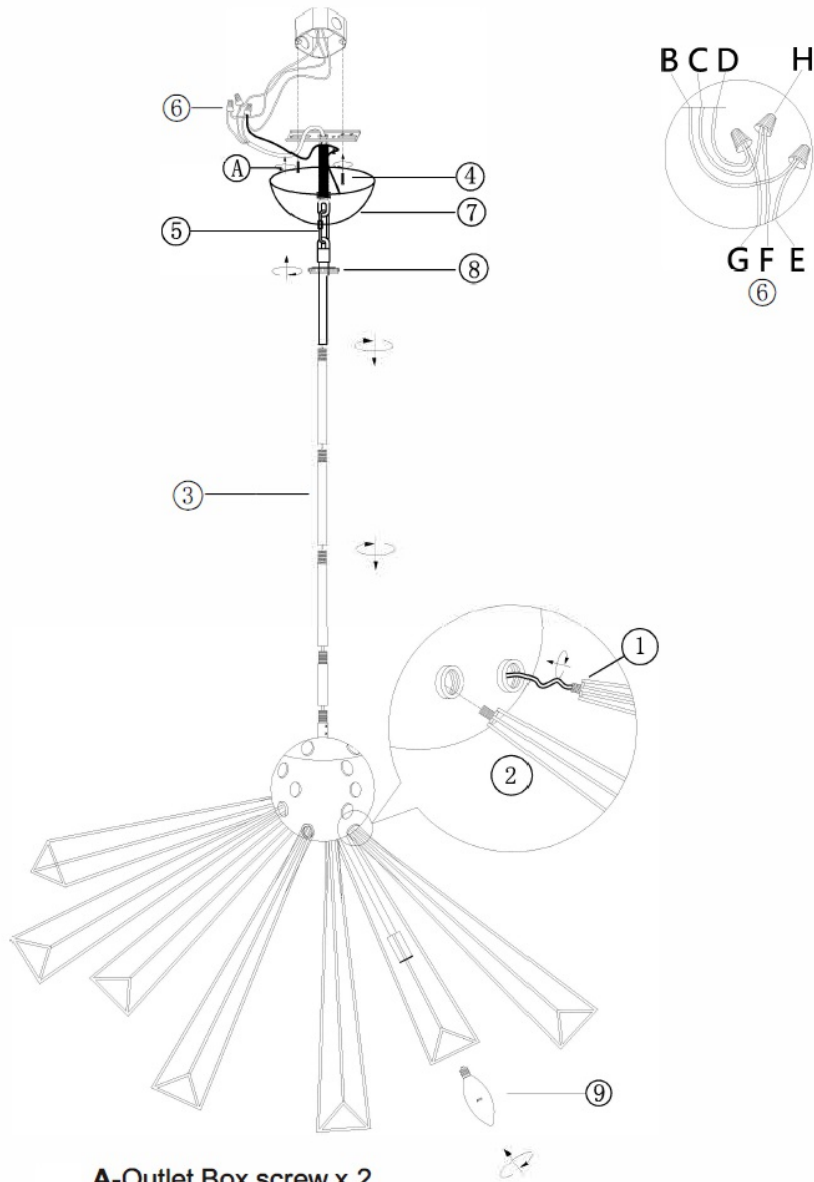


INSTALLATION INSTRUCTIONS

35 x 40W MAX, B10, 120V~ 60 Hz  
(BULBS NOT INCLUDED)



- A**-Outlet Box screw x 2
- B**-Black wire(L) from junction box
- C**-White wire(N) from junction box
- D**-Green wire/Bare copper (G) from junction box
- E**-Black wire (L) from fixture
- F**-White wire (N) from fixture
- G**-Green wire/Bare copper from fixture
- H**-Wire connector x 3