



12201-S INSTALLATION INSTRUCTIONS

IMPORTANT SAFETY INSTRUCTIONS

1. Read carefully before installing fixture. Retain for future reference.

⚠ WARNING To prevent electrical shock, turn off electricity at fuse box before proceeding.

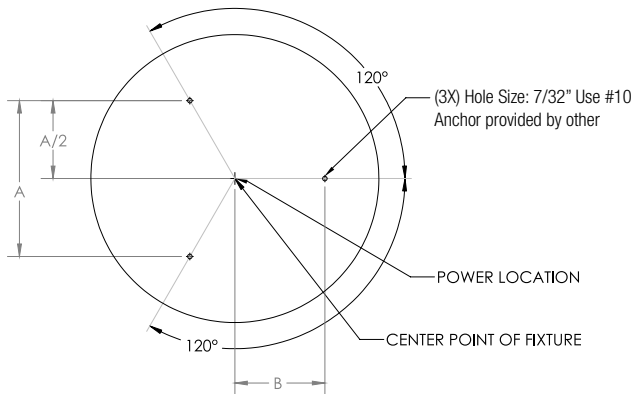
2. Failure to follow instructions may result in serious injury or death.

3. Upon receipt the fixture, thoroughly inspect for any freight damage which should be brought to the attention of the delivery carrier. Compare the catalog description listed on the package slip with the fixture label on the housing to assure you have received material.

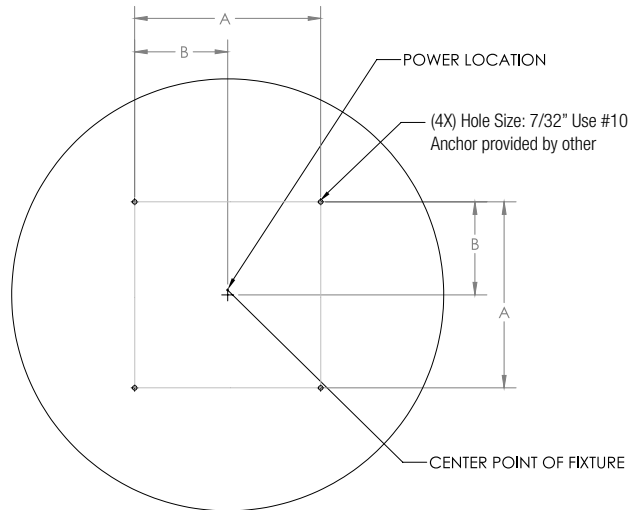
4. This fixture must be wired in accordance with the international electrical code and applicable local codes and ordinances. Proper grounding is required to insure personal safety. Carefully observe the correct grounding procedure under installation section.

*Alcon Lighting, Inc assumes no responsibility for claims arising out of improper or careless handling or installation of this product.

MOUNTING POINT LOCATIONS- 14" AND 2' ROND



MOUNTING POINT LOCATIONS- ROND 3', 4', AND 5'



	14"	2'	3'	4'	5'
Ø	10-1/4"	18-3/4"	22"	32-1/2"	44-1/2"
A	8-7/8"	16-7/32"	15-17/32"	23"	31-15/32"
B	5-1/8"	9-3/8"	7-49/64"	11-1/2"	15-47/64"