

FEATURES & SPECIFICATIONS

INTENDED USE

The **Alcon Lighting RFT Series Architectural LED Surface Mount Linear Lighting** fixtures bring clean lines and clear light to commercial LED or residential office lighting interiors. Our sleek, stylish fixtures offer highly effective and efficient lighting solutions for hotels, offices, retail outlets, restaurants, and more.

DETAILS

8 FT - W 6" x L 96" x H 6"

Construction: Die-formed and welded 22-gauge cold rolled steel

Lens: Snap In Frosted Acrylic

ADDITIONAL FEATURES

Type: Direct Downlight

Voltage: 120-277

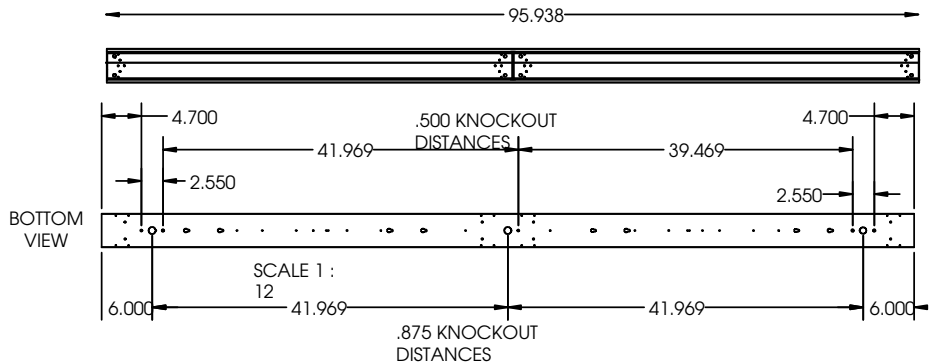
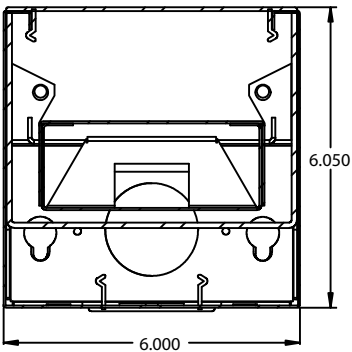
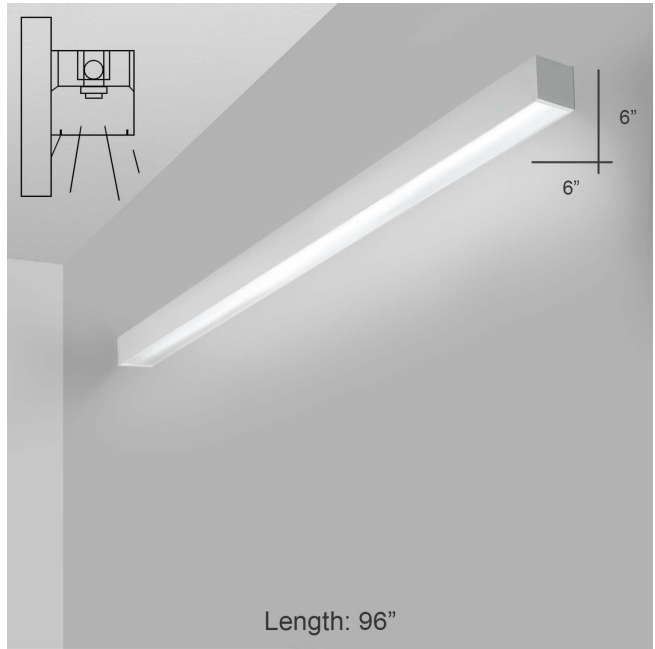
Wattage: 72W (4x18W)

Lumens: 8400 lms

CRI: 83

Life: 50,000 Hours

Listings: ETL and DLC for LED component only
LED lamp included



Ordering Information:

Example: (12200-6-W-8-40K-WH-2W-DS)

Model	Color Temp	Finish	Dimming	Options
<input type="text" value="12200-6-W-8"/> Wall Mount	<input type="text" value="35K"/> 3500K <input type="text" value="40K"/> 4000K <input type="text" value="50K"/> 5000K	<input type="text" value="WH"/> White <input type="text" value="BK"/> Black <input type="text" value="SL"/> Silver <input type="text" value="BR"/> Bronze	<input type="text" value="Blank"/> Non-Dimming (Standard) <input type="text" value="2W"/> 2-Wire Incandescent Dimming (120V only) (Title 24 Compliant)	<input type="text" value="CRWK"/> Continuous Row Wire Kit <input type="text" value="EM1"/> Emergency Backup Battery <input type="text" value="DS1"/> Integrated Daylight Sensor

¹ Factory Installed