

## FEATURES & SPECIFICATIONS

### INTENDED USE

The **RFT Series Architectural Linear LED Suspension Lighting** fixtures bring clean lines and clear light to commercial LED or residential office lighting interiors. Our sleek, stylish fixtures offer highly effective and efficient lighting solutions for hotels, offices, retail outlets, restaurants, and more.

### DETAILS

**8 FT - W 4" x L 96" x H 4"**

**Construction:** Die-formed and welded 22-gauge cold rolled steel

**Lens:** Snap In Frosted Acrylic

**Mount:** 48" Adjustable Aircraft Cable<sup>1</sup>, 3 Wire Power feed/cable

### ADDITIONAL FEATURES

**Type:** Direct Downlight

**Voltage:** 120V-277V

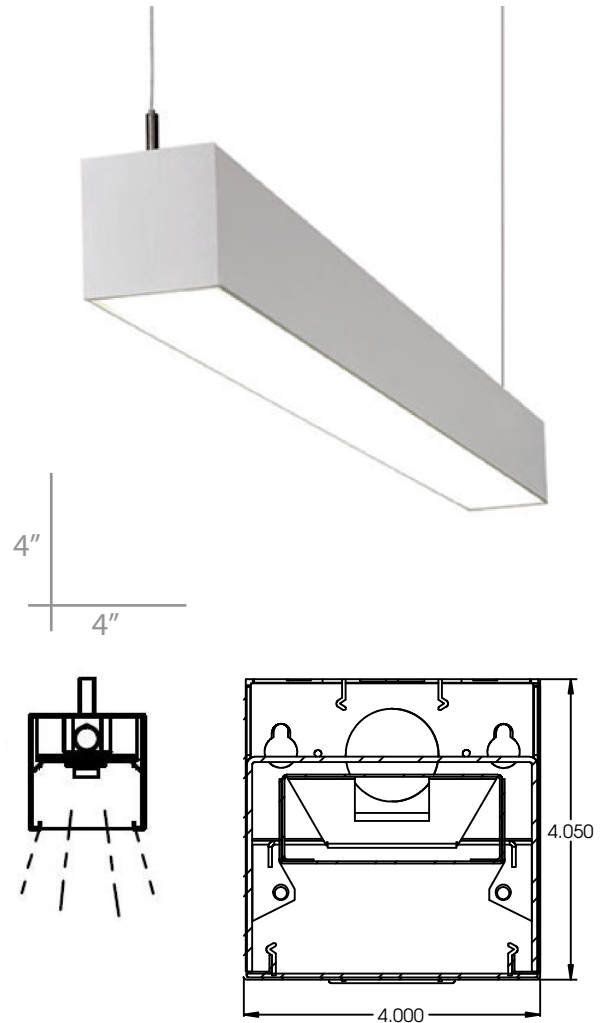
**Wattage:** 72W (4x18W)

**Lumens:** 8400 lms

**CRI:** 83

**Life:** 50,000 Hours

**Listings:** ETL and DLC for LED component only  
LED lamp included



## Ordering Information:

Example: (12200-4-P-8-2W-35K-WH-EM)

Model	Dimming	Color Temp	Finish	Options
<input type="text"/>	<input type="text"/>	<input type="text"/>	<input type="text"/>	<input type="text"/>
<b>12200-4-P-8</b> Pendant	<b>Blank</b> Non-Dimming (Standard)	<b>35K</b> 3500K <b>40K</b> 4000K <b>50K</b> 5000K	<b>WH</b> White <b>BK</b> Black <b>SL</b> Silver <b>BR</b> Bronze <b>IR</b> Iron	<b>CRWK</b> Continuous Row Wire Kit <b>EM<sup>2</sup></b> Emergency Backup Battery <b>DS<sup>2</sup></b> Integrated Daylight Sensor

<sup>1</sup> White or Silver Finish Pendant shipped with a White Cable. Black Finish Pendant shipped with a Black Cable.

<sup>2</sup> Factory Installed