

Project Name: _____ Type: _____ Quantity: _____

INTENDED USE

The Disk Architectural LED Pendant Mount Direct Down Light features an unobtrusive low profile design with low glare. The Disk is an ideal option for commercial and residential interior places.

FEATURES

Construction: 1" super slim thin die-cast aluminum frame for low to medium height ceilings; Integral heat sink design for maximum heat rejection

Ceiling Depth: 1"

Mounting: for retrofit, new construction, and remodel applications; Universal mounting hardware for all standard octagonal electrical junction boxes; Field adjustable 7' max. cord

Lens: Glare-free, polycarbonate frosted white

Color Temperature: Select Switch

2700K/3000K/3500K/4000K/5000K

Wattage: 15W

Lumens: 1200 lms

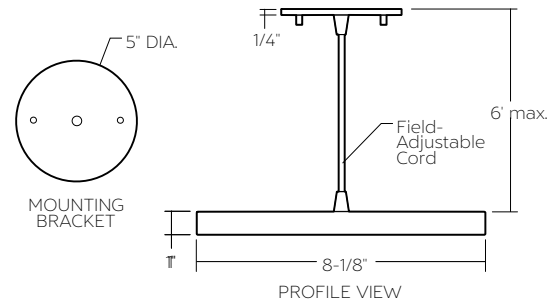
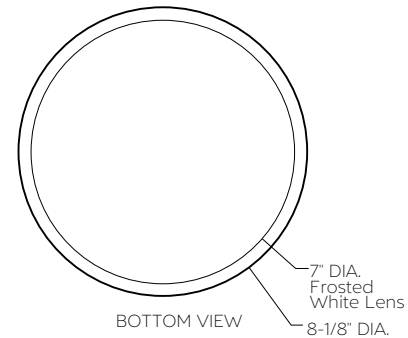
CRI: 85

Lamp Equivalent: 65W BR30

Life: 50,000 Hours

Warranty: 3 Years Free of Defects in Materials & Craftsmanship

Listings: cETLus Listed, Energy Star, Title 25 JA8, Damp Location, Assembled in the USA



ORDERING INFORMATION Example: (12182-7-WH-WH-ELV)

Model	Finish	Mounting	Driver	Options
12182-7	WH	White	ELV	EM ¹ Remote Emergency Backup Battery
	BK	Black Canopy & cord		
	SL	Silver	O10	NC Non-Conductive Polycarbonate Housing
	BR	Bronze		