

Project Name: _____ Type: _____ Quantity: _____

INTENDED USE

The Disk Architectural LED Pendant Mount Direct Down Light features an unobtrusive low profile design with low glare. The Disk is an ideal option for commercial and residential interior places.

FEATURES

Construction: 1" super slim thin die-cast aluminum frame for low to medium height ceilings; Integral heat sink design for maximum heat rejection

Ceiling Depth: 1"

Color Temperature: Select Switch 2700K/3000K/3500K/4000K/5000K

Mounting: for retrofit, new construction, and remodel applications; Universal mounting hardware for all standard octagonal electrical junction boxes; Field adjustable 7' max. cord

Lens: Glare-free, polycarbonate frosted white

Wattage: 22W

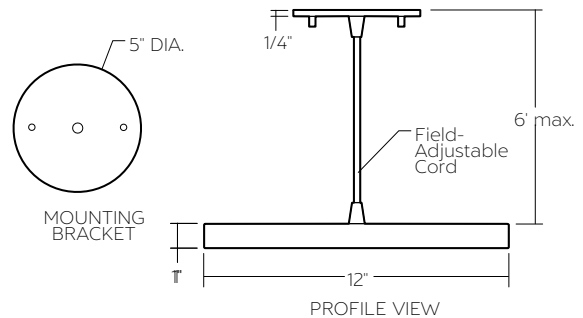
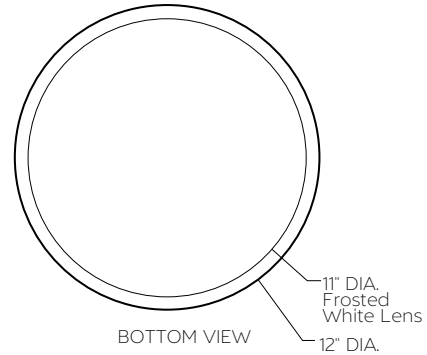
Lumens: 2000 lms

CRI: 80

Lamp Equivalent: 65W BR30

Life: 50,000 Hours

Warranty: 3 Years Free of Defects in Materials & Craftsmanship **Listings:** cETLus Listed, Energy Star, Title 25 JA8, Damp Location, Assembled in the USA



ORDERING INFORMATION Example: (12182-12-WH-WH-ELV)

Model	Finish	Mounting	Driver	Options
12182-12	WH White BK Black SL Silver BR Bronze	WH White Canopy & cord BK Black Canopy & cord	ELV 010 ELV Dimming (120V) 0-10V Dimming (120/277V)	EM¹ Remote Emergency Backup Battery NC Non-Conductive Polycarbonate Housing

¹ 0-10V Driver Required