

SHOP NOW >

## FEATURES & SPECIFICATIONS

### INTENDED USE

The **Alcon Lighting Spot Light Box Architectural LED Suspension Lighting** features easy installation, connectors for a uniform appearance, endless Spot Light additions, and clean, versatile, and efficient lighting. The Spot Light Box LED is perfect for indoor and outdoor commercial and institutional interior spaces.

### DETAILS

**W** 4.375" x **L** 4.625"

**Construction:** Extruded Aluminum  
65% Recycled Materials

**Optics:** Premium binned LEDs

**Mounting:** Universal mounting to any structural ceiling or wall joints

**Weight:** 2.5 lbs per foot

### ADDITIONAL FEATURES

**Wattage:** 8W

**Lumens:** 500 lms

**Dimming:**

120V ELV Dimming

277V Non-Dimming

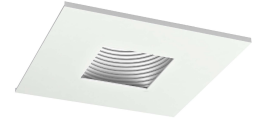
**CRI:** 80+

**Life:** L70 - 80,000 Hours



#### Accent

2" Square  
0°-20° Positioning



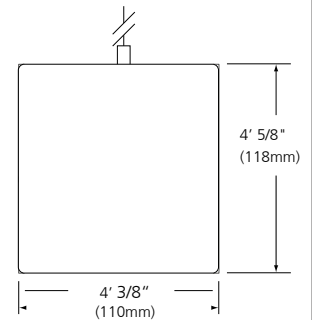
#### Pull Down

2" Round  
0°-85° Positioning



#### Gimbal

2" Round  
0°-35° Positioning



### Ordering Information:

Example: (12178-2-A15-27K-120-WH)

Model	No. of Spot Lights	Spot Light/Spread <sup>1</sup>	Color Temp	Driver	Finish	Options
<b>12178</b>	<b>1</b>	1 Spot Light (4.5")	<b>27K</b> 3000K	<b>120</b> 120V	<b>WH</b> White (Standard)	<b>WL</b> Wet Location
Spot Light Box Pendant	<b>2</b>	2 Spot Lights (9")	<b>30K</b> 4000K	<b>277</b> 277V	<b>BK</b> Black	
	<b>3</b>	3 Spot Lights (13.5")	<b>40K</b> 3000K		<b>SL</b> Silver	
	<b>4</b>	4 Spot Lights (18")	<b>RGBW</b> RGBW		<b>CU</b> Custom (RAL#)	
	<b>5</b>	5 Spot Lights (22.5")	<i>Accent</i>		<b>PW</b> Premium Wood Grain	
	<b>6</b>	6 Spot Lights (27")	<i>Pull Down</i>			
	<b>7</b>	7 Spot Lights (31.5")	<b>P15</b> 15° Spot			
	<b>XX<sup>1</sup></b>	Custom	<b>P25</b> 25° Narrow Flood			
		<i>Gimbal</i>				
		<b>G15</b> 15° Spot				
		<b>G25</b> 25° Narrow Flood				
		<b>G38</b> 38° Flood				

<sup>1</sup>Add 4.5" to Channel per Option

Alcon Lighting 12178 Spot Light Box Architectural LED Linear Suspension Pendant Mount Fixture