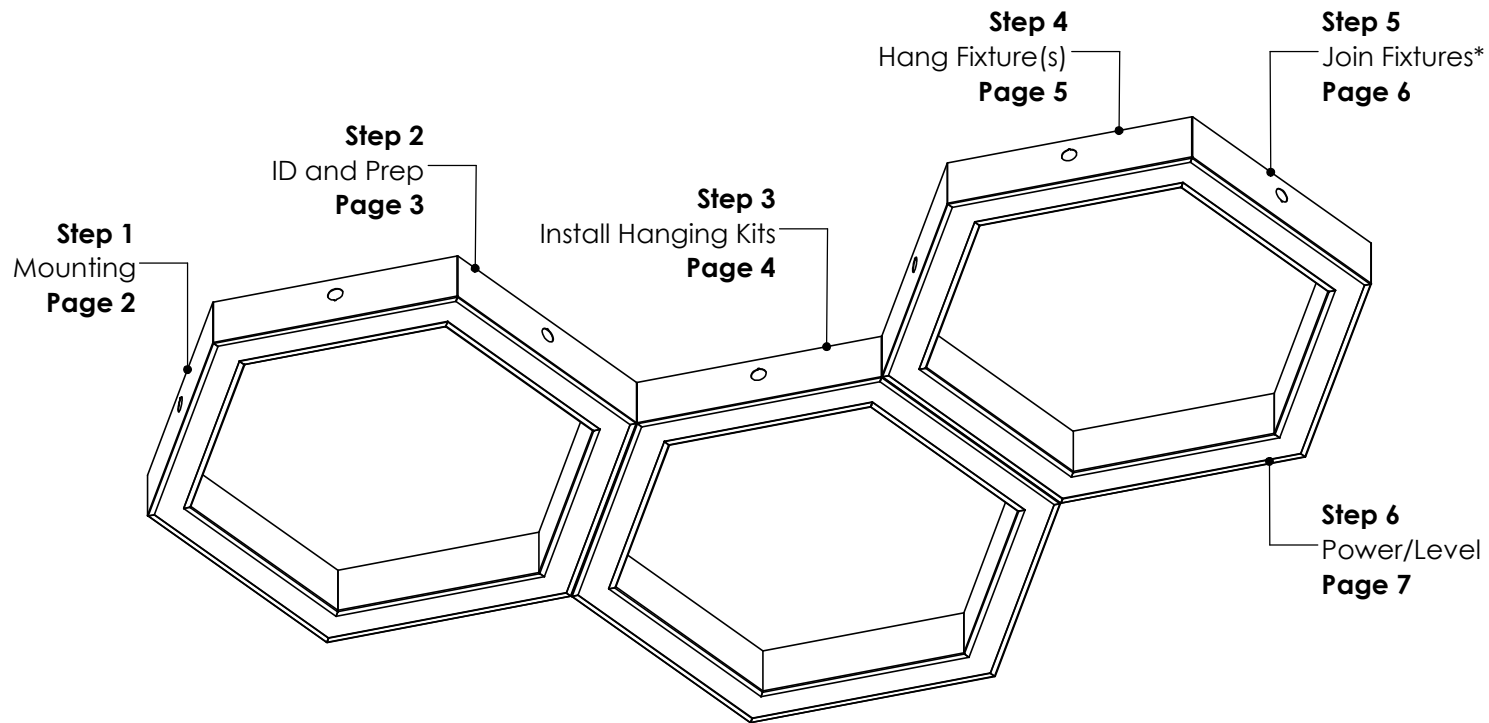


12175-P Installation Instructions Overview



WARNINGS

- This product must be installed in accordance with all applicable codes by a person familiar with the product.
- Each fixture must be **properly supported** during install.
- **DO NOT** join fixtures on the floor prior to lifting, or damage will occur.



12175-P Installation Instructions

Step 1 - Mounting and Suspension



Mounting

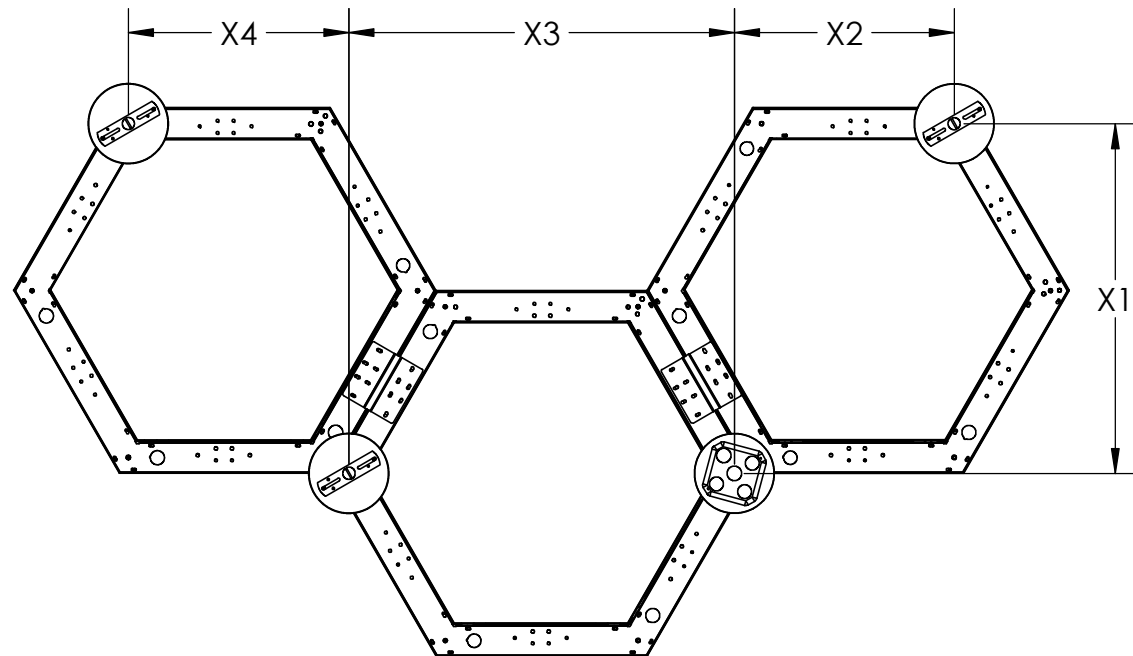
- Install hanging kits at suspension locations.
- Ensure hanging kits are secure.
- Prepare fixture for mounting.

Other hard surfaces include: wood, sheet metal panels, steel beams, concrete or masonry. Use hardware appropriate for each surface and material type.

Suspension Locations

X = Suspension Dimensions

Refer to Assembly Drawings and building plans to determine exact mounting, suspension points, and power feed locations.

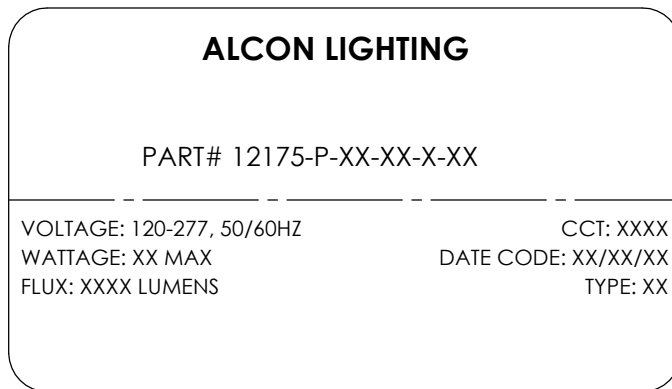


12175-P Installation Instructions

Step 2 - Identification and Preparation

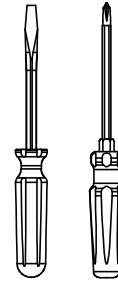


A. Identify Fixtures



- Use labels found on the box and inside the fixture bodies to identify bodies.
- **NOTE:** Locations of labels can vary.
- Remove all fixtures from their boxes.
- Organize fixtures based on their labels at the install location.

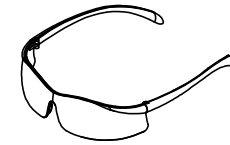
B. Tools Needed



Screwdrivers



Pliers



Safety Glasses

- Always use proper safety equipment when installing fixtures.
- Tools shown are recommended for standard install. Tools needed may vary based on actual install location conditions.

Kitted Hardware

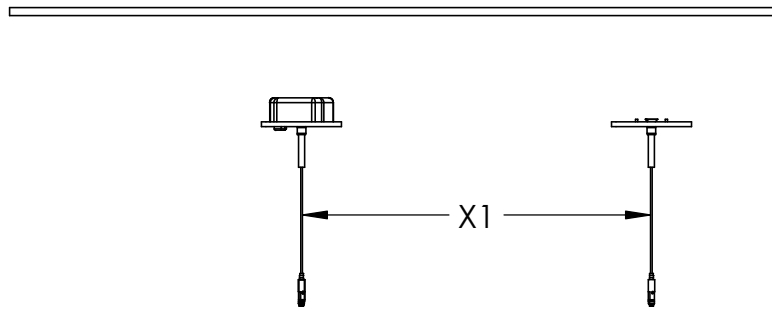
- Alcon Lighting has provided the items listed here, with their Alcon Lighting part numbers listed. These items can be found in separate boxes shipped with the fixture.
- Ensure all parts are accounted for and set them aside until needed.
- Any additional hardware needed for this installation will be provided by others.

12175-P Installation Instructions

Step 3 - Install Hanging Kits*

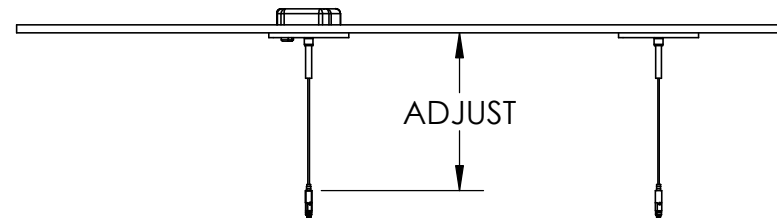


A. Install to Ceiling



- Install the hanging kits to the ceiling at the desired mounting locations.
- Ensure that hanging kits are properly secured.
- Refer to hanging kit installation guide for more information.

B. Adjust Length



- Adjust hanging cables to desired length, cables can be further adjusted after fixture is installed.
- Refer to hanging kit installation guide for more information.

***NOTE:** Alternate hanging kits may be adjusted differently, refer to hanging kit guide for more information. To install hanging kits to grid ceiling, grid caddy clips with 1/4-20 threaded stud **must** be used. First install the caddy clips to the grid, then suspend cables from installed clips.

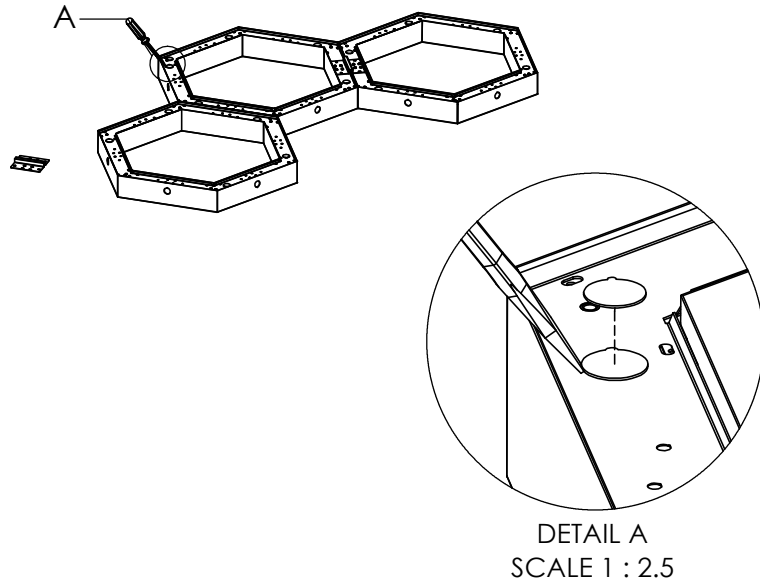
12175-P Installation Instructions

Step 4 - Hang the Fixtures



A. Remove Knockouts

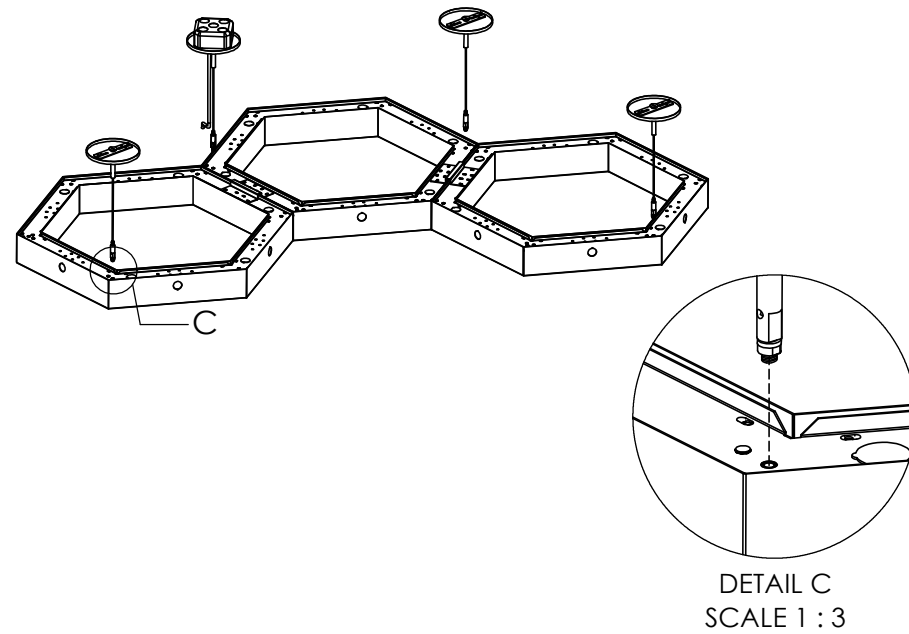
MOUNT SURFACE REMOVED FOR CLARITY



- Use a flat head screwdriver, gently pry on the 7/8" knockout on top of the fixture to expose power cable.

B. Insert Cable to Cable Clutch

MOUNT SURFACE REMOVED FOR CLARITY



- Insert the hanging cables to the pre-installed cable clutch assemblies.
- Depress the clutch to slide the cable and adjust the length.

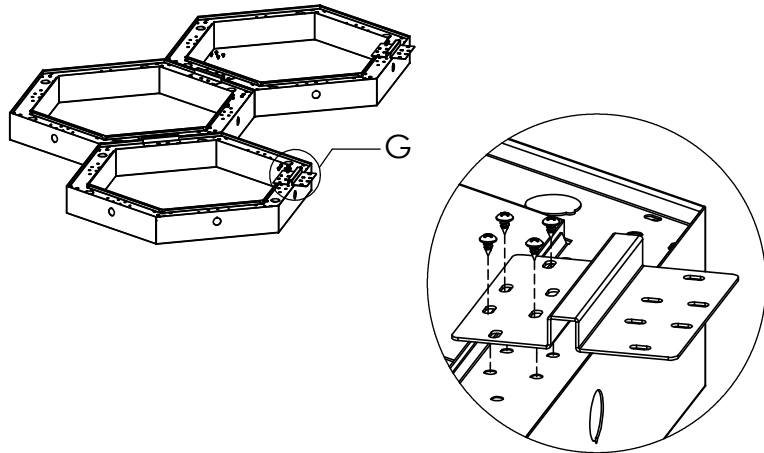
12175-P Installation Instructions

Step 5 - Join Fixtures (Optional)



A. Install Joiner Bracket

MOUNT SURFACE & HANGING KITS REMOVED FOR CLARITY

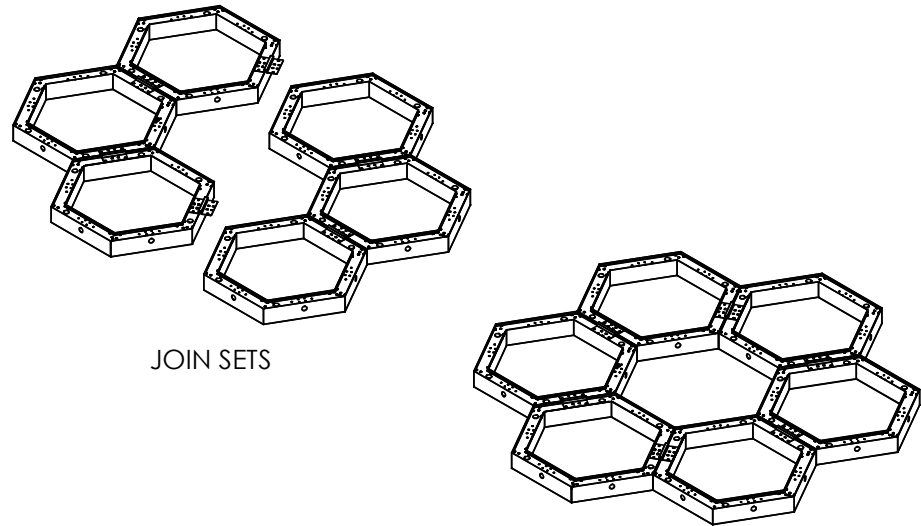


DETAIL G
SCALE 1 : 3

- Install the joiner bracket at points where fixture sets connect. Refer to provided assembly drawings for fixture set connection points.
- Align the provided joiner bracket with the holes located near the middle of each fixture side.
- Secure the joiner bracket(s) to the fixture using provided #8 screws and a Philips screw driver.

B. Secure Fixtures

MOUNT SURFACE & HANGING KITS REMOVED FOR CLARITY



- Mount the joining fixture set to the installed hanging kits while supporting the side of the assembly that will connect to the previous fixture set.
- Secure the fixture sets to one another using the provided #8 screws and the installed joiner bracket.
- Install the screws to the joiner bracket and tighten to secure the fixture sets together.

12175-P Installation Instructions

Step 6 - Power and Level Fixtures

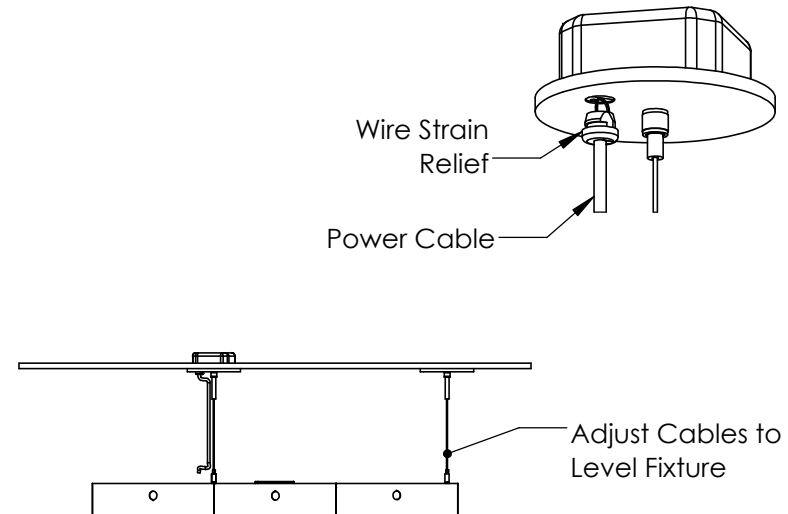


A. Wire the Fixture(s)

WIRING LEGEND		
BLACK	HOT	Line Voltage
WHITE	NEUTRAL	Line Voltage
GREEN	GROUND	
GRAY	DIMMING	0-10V DC
VIOLET	DIMMING	0-10V DC

- Wire fixtures to the incoming power supply using the provided quick disconnect clip as shown.
- For dimming option, refer to wiring legend above.
- Use UL approved connectors only. Follow all local, state and national codes. Repeat for all remaining fixtures.

B. Level the Assembly



- After connecting the fixture wiring, secure the power cable to the canopy.
- Insert the power cable into the wire strain relief, and push the wire strain relief into the canopy until it clicks into place.
- If needed, adjust cables to level assembly.
- Fixture installation is now complete.