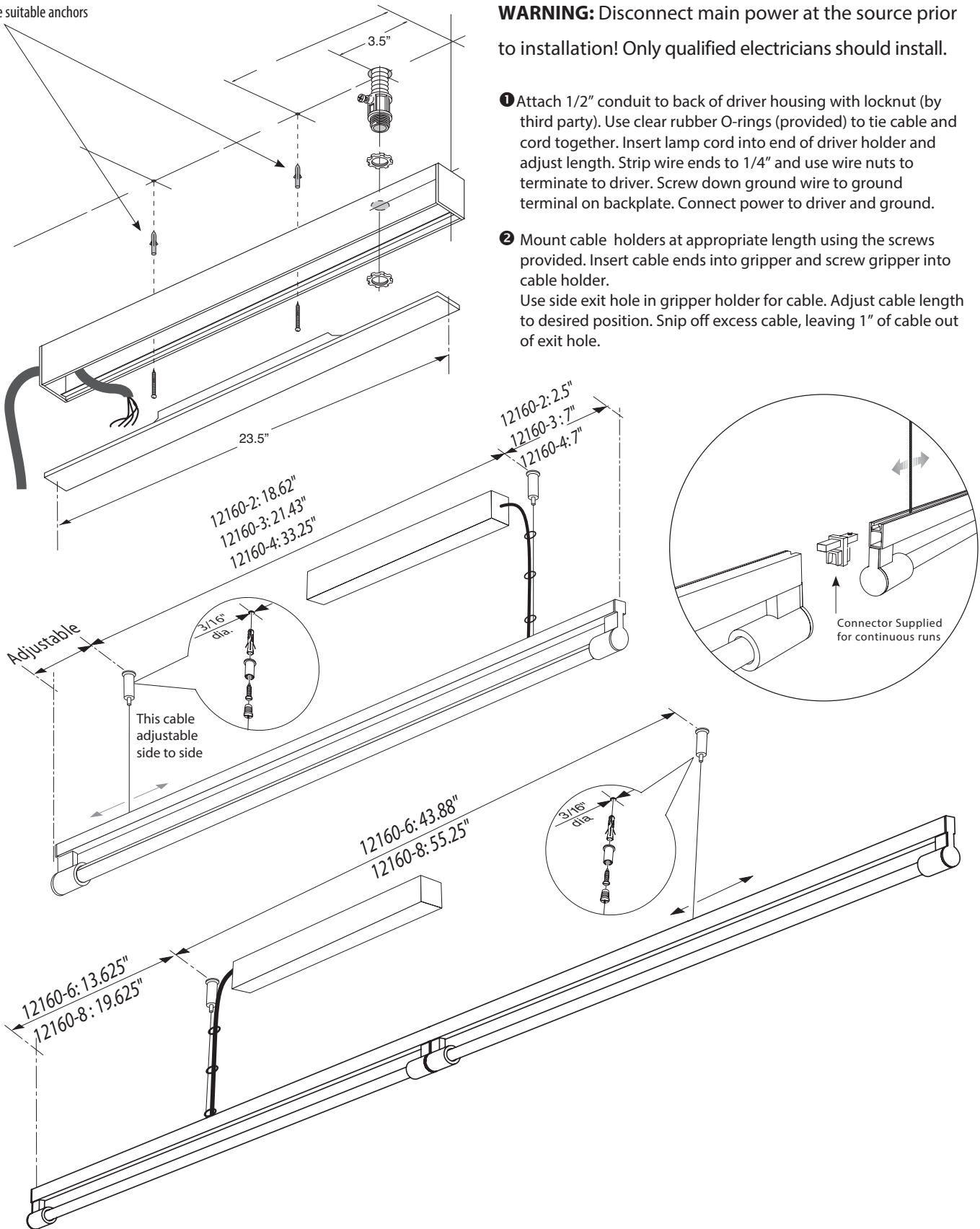


INSTALLATION INSTRUCTIONS

Use suitable anchors

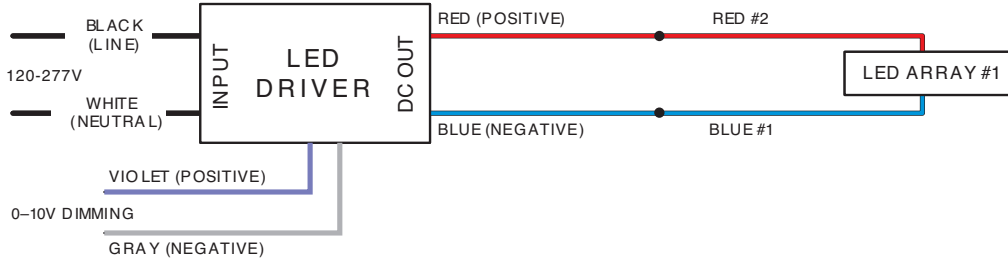


WARNING: Disconnect main power at the source prior to installation! Only qualified electricians should install.

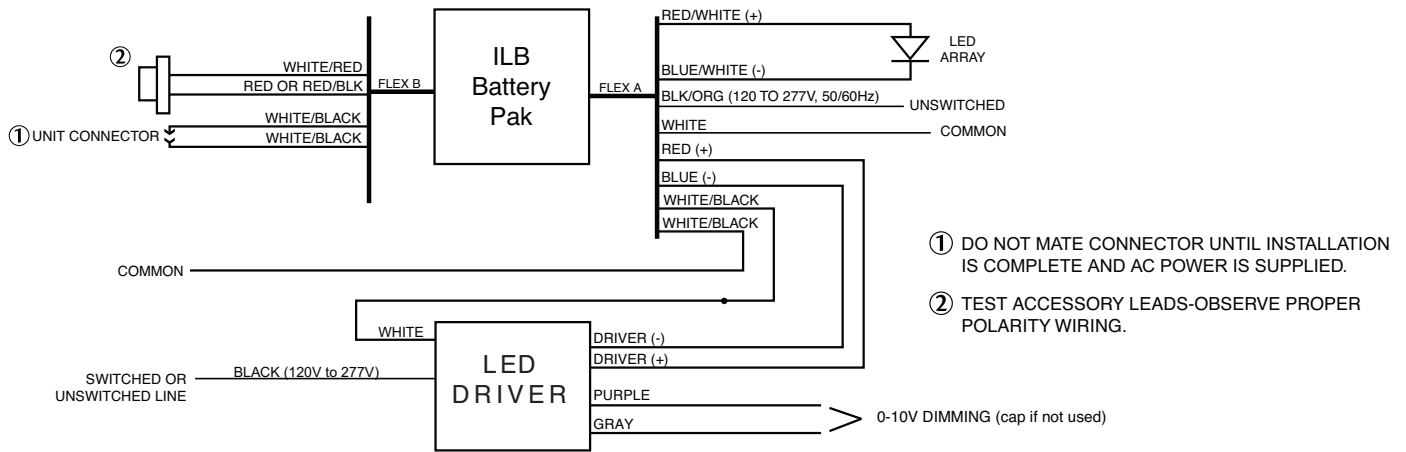
- 1 Attach 1/2" conduit to back of driver housing with locknut (by third party). Use clear rubber O-rings (provided) to tie cable and cord together. Insert lamp cord into end of driver holder and adjust length. Strip wire ends to 1/4" and use wire nuts to terminate to driver. Screw down ground wire to ground terminal on backplate. Connect power to driver and ground.
- 2 Mount cable holders at appropriate length using the screws provided. Insert cable ends into gripper and screw gripper into cable holder. Use side exit hole in gripper holder for cable. Adjust cable length to desired position. Snip off excess cable, leaving 1" of cable out of exit hole.

INSTALLATION INSTRUCTIONS

Wiring | Single Lamp Cord

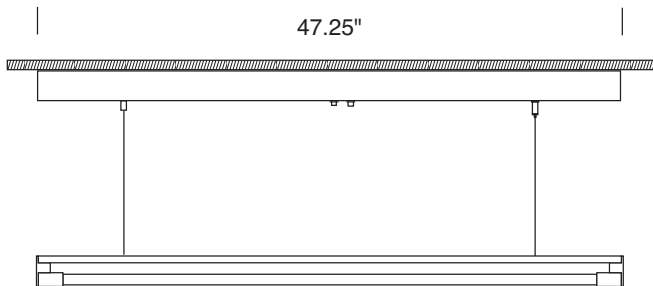


Wiring | Emergency Backup



EM Fixtures

Emergency backup fixtures have 47.25" long driver housings. 4' fixtures suspend directly from the driver housing cover plate with charge indicator light and test switch. EM backup for 4', 6' and 8' only.



NOTE: Drivers must be accessible after installation, and must be mounted no less than 4 inches apart side-by-side and 1 inch apart end-to-end, to avoid overheating.

Maximum canopy to fixture distance: 25 ft. Maximum canopy to driver distance: 100 ft. (with 10 AWG wire).