

FIXTURE SPECIFICATIONS

INTENDED USE

Alcon Lighting's slim, linear pendant product nets solid, opal-diffused high-Color Rendering Index (CRI) LED light from an architectural-grade, extruded aluminum channel. This makes our product perfect for efficient, versatile use with prolonged endurance. The 120-volt downlight provides clear light and clean lines for elegant lighting in commercial and residential spaces. Perfect for the kitchen island.

FEATURES

Construction: Aluminum Body

Lens: Frosted Acrylic

Mounting: 72" Adjustable Aircraft Cable

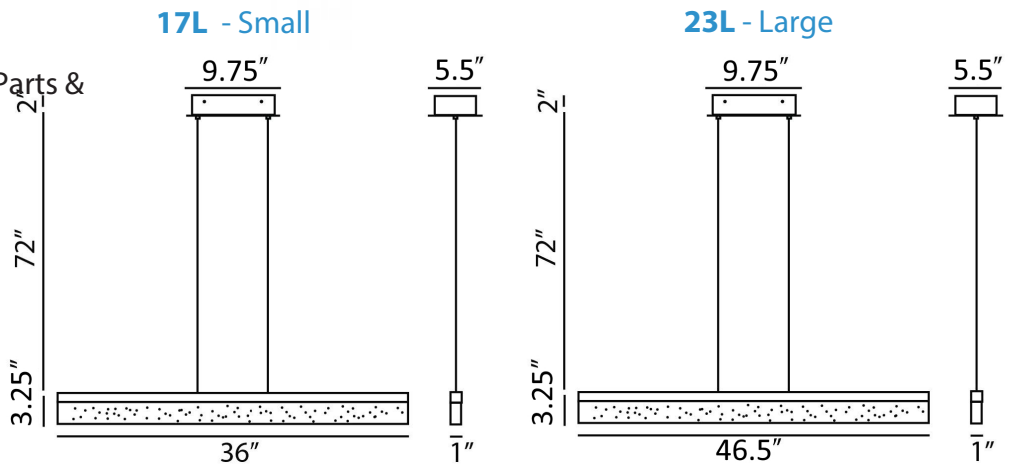
Voltage: 120V

Light Color Temp: 3000K

CRI: 80+

Dimming: ELV Dimming

Warranty: 1 Year Carefree for Parts & Components (Labor Not Included)



ORDERING INFORMATION Example: (12159-17L)

Model	Length Wattage Lumens
12159	17L 36" 24 Watts 1750 Lumens
	23L 46.5" 32 Watts 2330 Lumens