

Project Name: _____ Type: _____ Quantity: _____

INTENDED USE

This decorative LED linear steel pendant, with a 90 CRI and field control color tuning, comes with a 9 ft. aircraft cable, cETLus certification for damp locations and a range of 120V-277V volts. Available in white on white and black and gold finish.

FEATURES

Mounting: Canopy mounts to a standard junction box (not included).

Voltage: 120-277V AC

Wattage: 37 Watts

Lumens: 3000lms

Color Temperature Switch: Capable of 30K/35K/40K

Dimming: Dimmable via touch sensor.

CRI: 90+

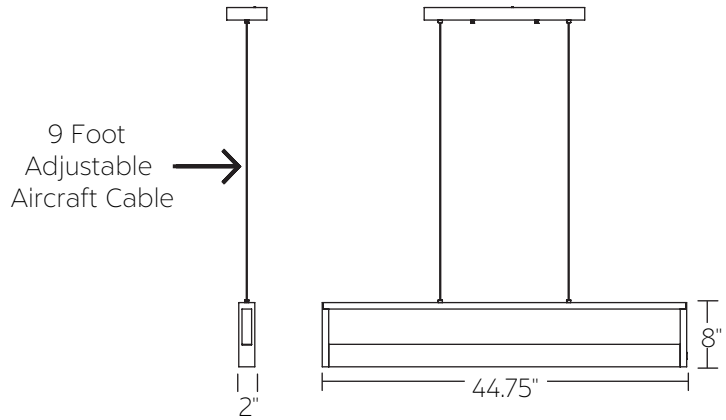
Listings: cETLus Listed

Warranty: 5 Years Carefree for Parts & Components (Labor Not Included)



Touch Sensor

- Tap for Color Temperature Change (3000K/3500K/4000K)
- Hold for Full Range Dimming



ORDERING INFORMATION Example: (12142-bg)

Model	Finish
12142	BG Black on Gold
	WH White on White

Alcon Lighting 12142 Decorative 4 Foot Commercial LED Linear Steel Pendant, 3000 Lumens, 90 CRI

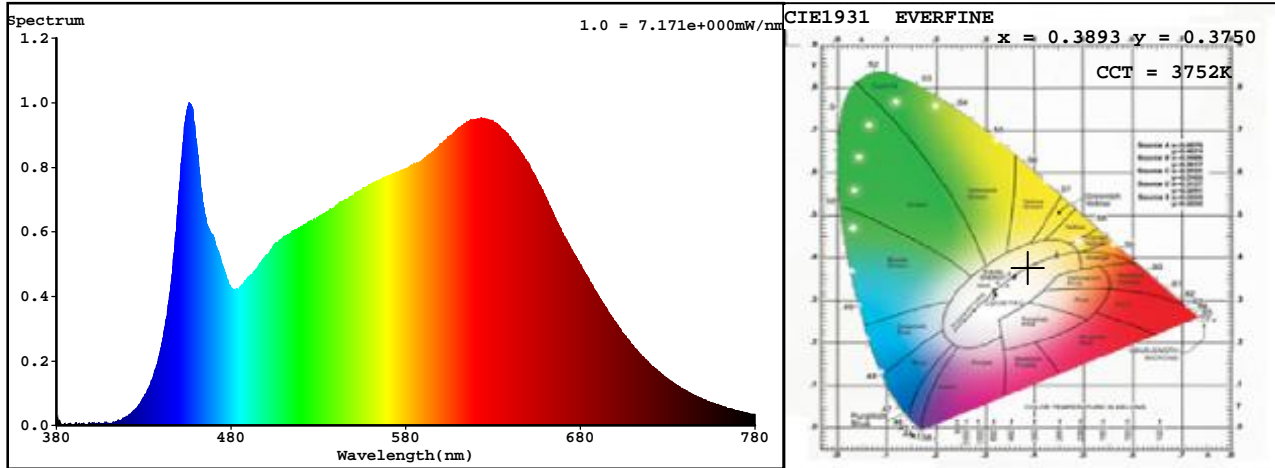
PHOTOMETRICS

Specification	12142	Date	: 2019-02-19 10:58:03
Sample No.	: 190126104001	Sam. Status	:
Manufacturer	: Alcon Lighting	Instrument	: HaasSuite(EVERFINE)

Test Condition

Temperature	: 25Deg	RH	: 65%
WL Range	: 380nm-780nm	IP	: 9079 (14%)
Test Mode	: Accuracy Test	T	: 652 ms
		Delicacy	: Low

Spectrum



Spectral Distribution

CIE1931 Chromaticity Diagram

Colorimetric Quantities

Chromaticity Coordinate: $x = 0.3893$ $y = 0.3750$ / $u' = 0.2316$ $v' = 0.5021$ ($duv = -3.27e-03$)
 CCT= 3752K Prcp WL: Ld=581.7nm Purity=29.4%
 Peak WL: Lp=456nm FWHM: =28.0nm Ratio:R=21.5% G=73.9% B=4.6%

Render Index: Ra = 95.7

R1 =98 R2 =98 R3 =98 R4 =95 R5 =96 R6 =95 R7 =93
 R8 =92 R9 =87 R10=97 R11=97 R12=77 R13=99 R14=100 R15=97
 WHITE:ANSI_4000K

Photometric & Radiometric Quantities

Flux = 383.76 lm Eff. : 15.89 lm/W Fe = 1.3698 W Scotopic:688.7 S/P:1.7946
 Photosynthetic:PPF:6.001umol/s PAR WATT:1256.2mW(400-700nm)

Electrical parameters

V = 120.0 V I = 0.2022 A P = 24.15 W PF = 0.9950