

Project Name: \_\_\_\_\_ Type: \_\_\_\_\_ Quantity: \_\_\_\_\_

### INTENDED USE

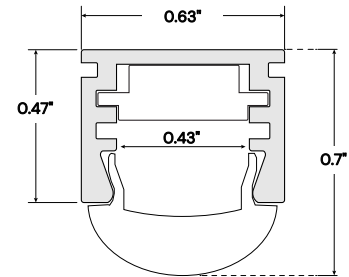
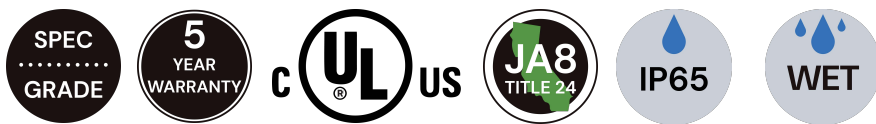
This specification-grade 24V LED wall wash strip light provides clarity in linear lighting to residential, industrial and commercial interiors. Our surface-mount, wall wash grazer is a highly efficient fixture ideal for today's office, hotel or restaurant and retail outlet.

### FEATURES

- Construction:** Anodized Aluminum
- Finish:** Silver
- Lens:** Glare-free snap-in frosted acrylic for even distribution
- Beam Spread:** 10° Narrow
- Voltage:** 24V LED fixture, 120-277V Triac, ELV, MLV and 0-10V external driver
- Driver:** 4N1 TRIAC, ELV, MLV & 0-10V Dimming
- CRI:** 95+
- Usage:** Vertical and horizontal wall grazing
- Max Single Run:** 16 feet
- Listings:** cULus, Title 24 JA8 Compliant (LED component only), Optional IP65 Rating Available
- Warranty:** 5 years carefree for parts and components (Labor not included). We recommend the use of surge protectors on the power entering LED Housings. Surge damage is not covered by warranty.



LED Component	Wattage	Lumen	IP Rating
<b>Dry Location</b>	4W per FT	440L per FT	IP45
<b>Wet Location</b>	3W per FT	250L per FT	IP65



### ORDERING INFORMATION Example:

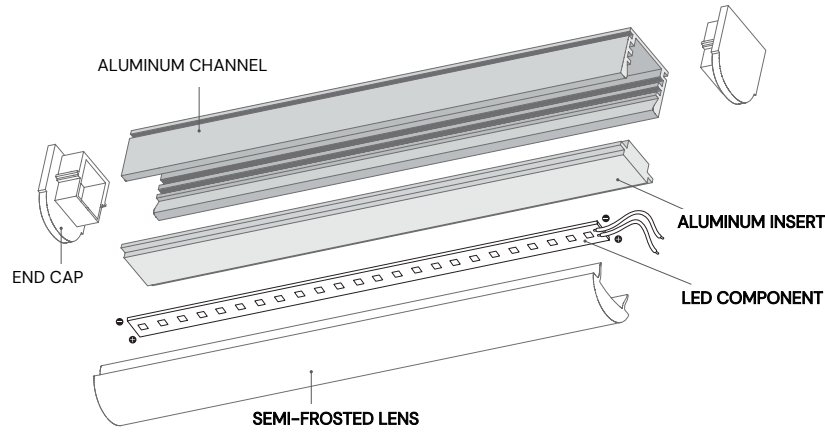
Model	Length <sup>1</sup>	Color Temperature	Beam Spread <sup>3</sup>	LED Component	Options
<b>12109</b>	<b>2</b> 2 Foot	<b>27K</b> 2700K	<b>10</b> 10°	<b>DY</b> Dry Location (IP45)	<b>AB</b> Adjustable Mounting Bracket
	<b>3</b> 3 Foot	<b>30K</b> 3000K	<b>30</b> 30°		
	<b>4</b> 4 Foot		<b>60</b> 60°	<b>WT</b> Wet Location (IP65)	
	<b>6</b> 6 Foot	<b>35K</b> 3500K			
	<b>8</b> 8 Foot	<b>40K</b> 4000K			
	<b>XX</b> Custom Length <sup>2</sup>	<b>50K</b> 5000K			

<sup>1</sup> The end caps add approximately 0.5" to the total length. See construction information on page 2

<sup>2</sup> Specify Length in Feet

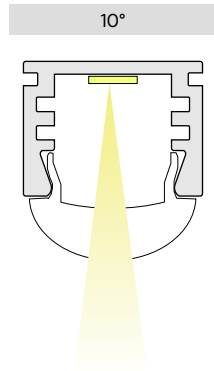
<sup>3</sup> A 10° beam spread is ideal for wall grazing, highlighting textures with strong contrast. A 30° beam spread provides a softer effect for subtle texture enhancement. A 60° beam spread works best for even wall illumination rather than emphasizing texture

## CONSTRUCTION

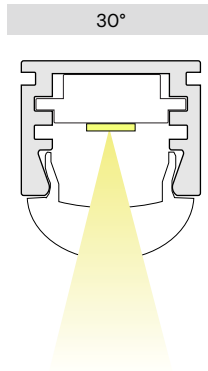


## BEAM SPREAD | OPTICS

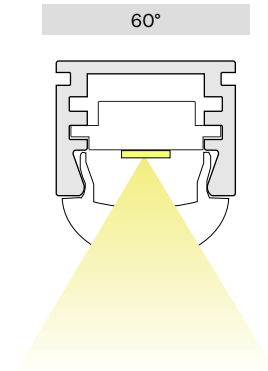
10° beam spread is ideal for wall grazing, highlighting textures with strong contrast



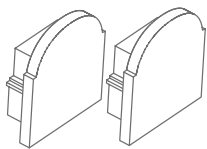
30° beam spread provides a softer effect for subtle texture enhancement



60° beam spread works best for even wall illumination rather than emphasizing texture



## MOUNTING ACCESSORIES

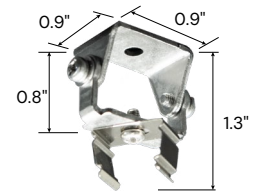


**End Caps**  
(Included)



**Mounting Clips**  
(Included)

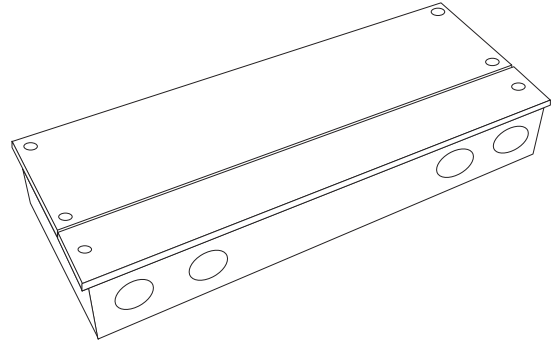
10mm x 15.8mm x 11mm (L x W x H)



**Adjustable Mounting Bracket**  
(Optional)

## EXTERNAL DRIVER

Driver	Dimensions
<b>4N1-30W-24V</b>	6.50" x 3.72" x 1.57"
<b>4N1-60W-24V</b>	7.40" x 3.72" x 1.57"
<b>4N1-96W-24V</b>	8.66" x 3.72" x 1.57"
<b>4N1-150W-24V</b>	10.24" x 4.13" x 1.77"
<b>4N1-200W-24V</b>	10.24" x 4.13" x 1.77"
<b>4N1-300W-24V</b>	10.94" x 4.33" x 1.77"



## COLOR TEMPERATURE GUIDE

<b>2700K</b>	<b>3000K</b>	<b>3500K</b>	<b>4000K</b>	<b>5000K</b>
<b>WARM WHITE</b>	<b>SOFT WHITE GLOW</b>	<b>NEUTRAL GLOW</b>	<b>DAYLIGHT GLOW</b>	<b>CRYSTAL WHITE GLOW</b>
friendly personal intimate	soft warm pleasing	sociable inviting non-threatening	neat clean efficient	bright cool alert
HOMES LIBRARIES RESTAURANTS	HOMES HOTEL ROOMS LOBBIES RETAIL STORES	EXECUTIVE OFFICES RECEPTION AREAS SUPERMARKETS	OFFICES CLASSROOMS MASS MERCHANTISERS SHOWROOMS	GRAPHICS INDUSTRY HOSPITALS GALLERIES BEAUTY SALONS
✓	✓	✓	✓	✓