



**WARNING: RISK OF ELECTRICAL SHOCK**

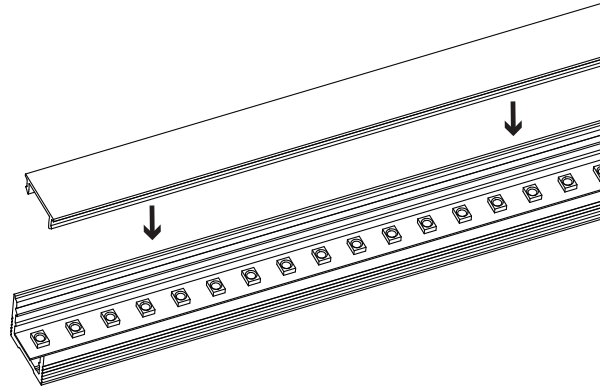
\* turn off main power prior to installation

\* make sure hands are dry

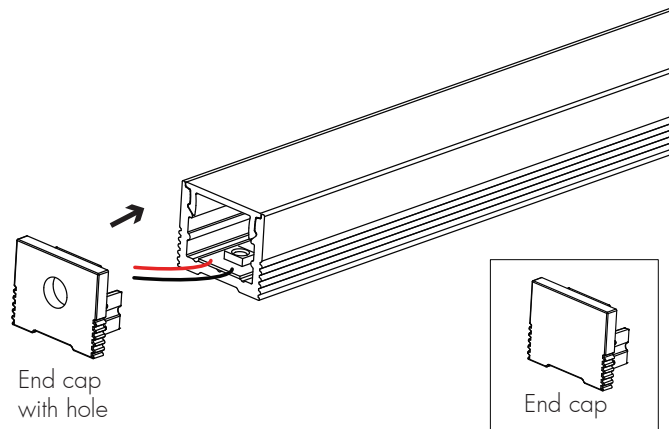
\* never touch exposed wires

## 12108 - INSTALLATION INSTRUCTIONS

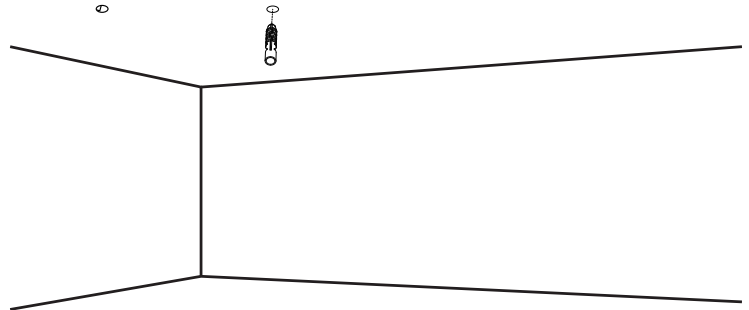
- 1** Mount diffuser onto the profile



- 2** Install end caps



- 3** Make a hole at the mounting position where aluminum profile will be installed.

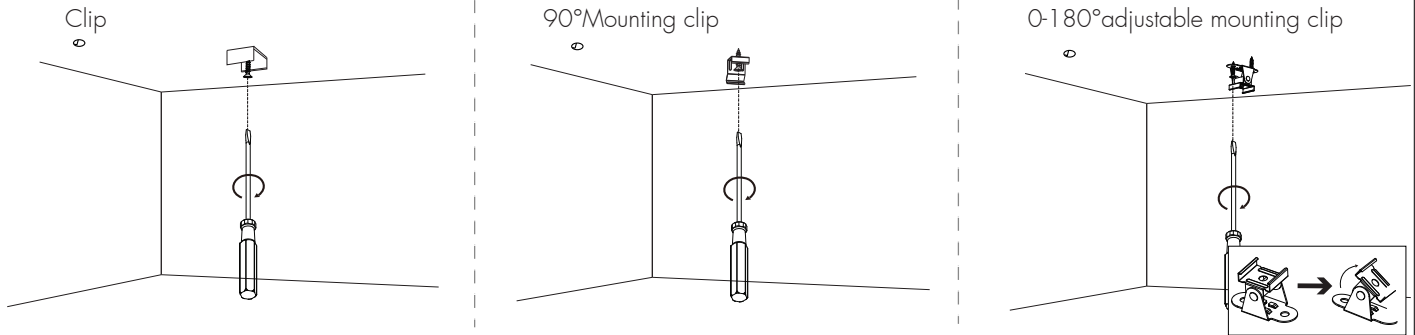




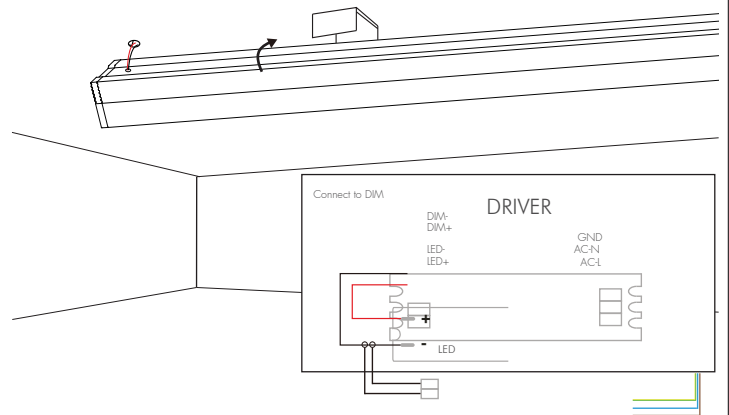
**WARNING: RISK OF ELECTRICAL SHOCK**  
*\* turn off main power prior to installation*  
*\* make sure hands are dry*  
*\* never touch exposed wires*

## 12108 - INSTALLATION INSTRUCTIONS

4 Select appropriate mounting option and clip for your project and install accordingly.



5 Connect lead wires from aluminum profile / fixture to the output line of the power supply.



6 Completed

