

Project Name: \_\_\_\_\_ Type: \_\_\_\_\_ Quantity: \_\_\_\_\_

### INTENDED USE

Our 12102-SS is a IP67 rated, flexible LED fixture designed to be used in environments such as saunas and steam rooms. With the ability to resist high temperatures, the flexible strip light can also bend around contours or tight curves horizontally or vertically without being damaged.

### FEATURES

**Construction:** Housing and electrical compartment are made from die cast aluminum

**Lens:** High performance acrylic optic securely attached to internal heat sink for maximum thermal dissipation.

**Voltage:** 24V LED Fixture, 100-277V LED Driver

**Remote Driver:** Dimmable 4-in-1 Triac, ELV, MLV & 0-10V

**Wattage:** 3W per Ft

**Lumen:** 150 Lum per Ft

**CRI:** 88+

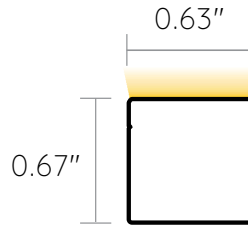
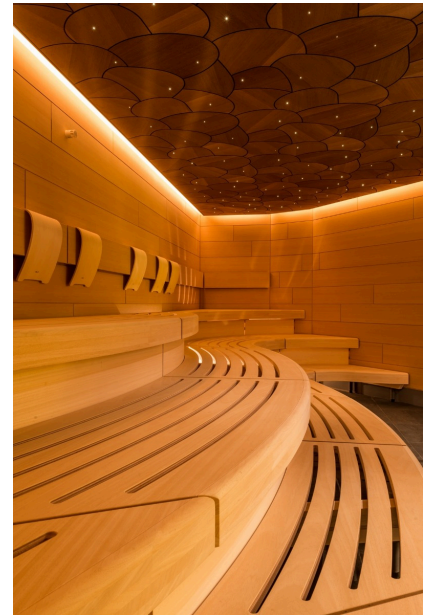
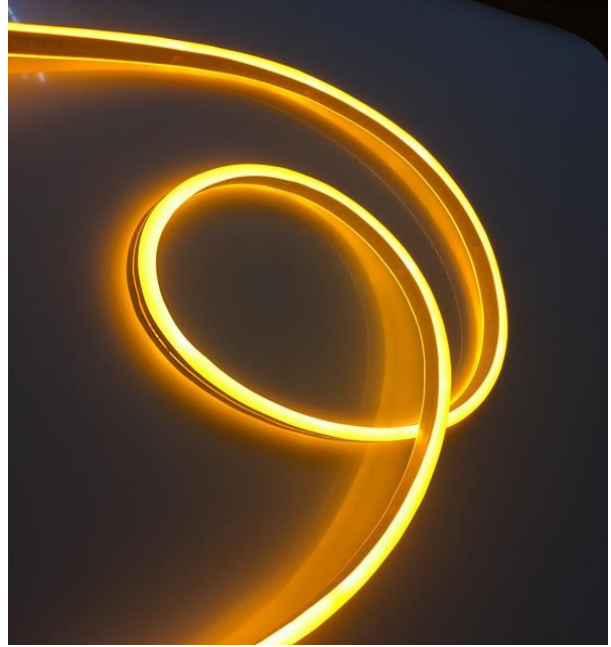
**Life:** 50,000 hours

**Max Run Length:** 32 Ft.

**Operating temperature:** -4°F ~194°F  
(-20°C ~ 90°C)

**Listings:** cULus listed, DLC listed, Suitable for wet location, IP67 Rated

**Warranty:** 5 Years Carefree for Parts & Components (Labor Not Included)







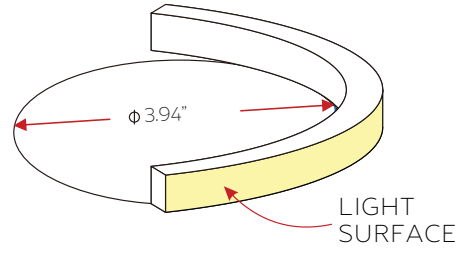
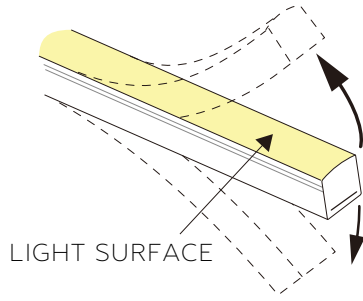


### ORDERING INFORMATION EXAMPLE: (12102-SS-HB-1-EF-10-24K)

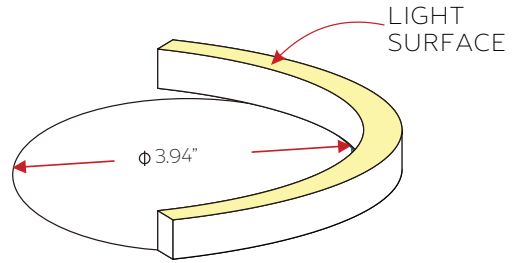
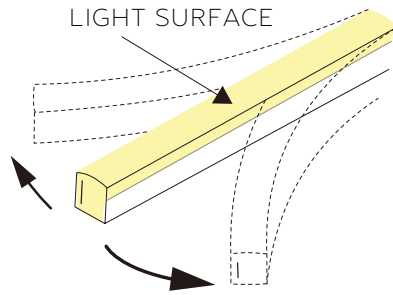
Model	Bend Direction	Length	Power Feed	Power Feed Cord Length	Color Temperature	Options
12102-SS	VB <small>Standard</small> Vertical Bend	1	BF Bottom Feed SL Side Feed Left SR Side Feed Right EF End Feed	3	24K 2400K 27K 2700K 30K 3000K 35K 3500K 40K 4000K 50K 5000K R Red G Green B Blue A Amber P Pink Y Yellow	2AL 2" Aluminum Channel 39A 39" Aluminum 39PL Channel 39" Plastic Channel
		2		10		
	HB Horizontal Bend	3		15		
		4		30		
	8	30				
	12	50				
	16					
	24					
	32					

## BEND DIRECTION, POWER FEED & LINE DRAWINGS

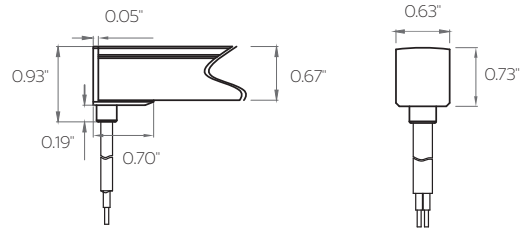
**HB**  
Horizontal  
Bend



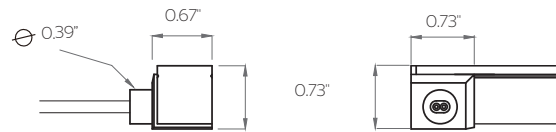
**VB**  
Vertical  
Bend



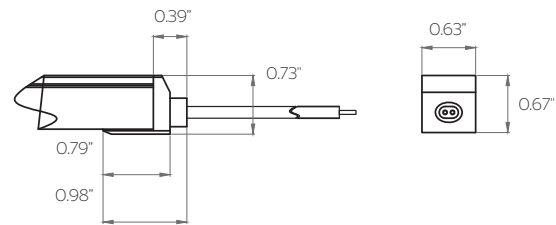
**BF**  
Bottom Feed



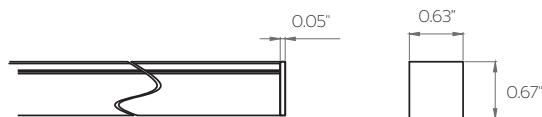
**SFL**  
Side Feed  
Left



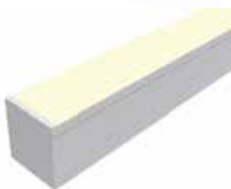
**SFR**  
Side Feed  
Right



**EF**  
End Feed



**EC**  
End Cap

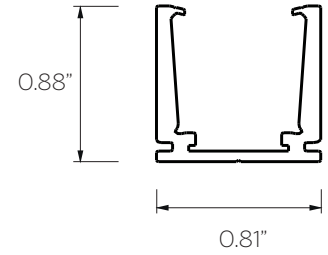


## CHANNELS

### ALUMINUM CHANNEL

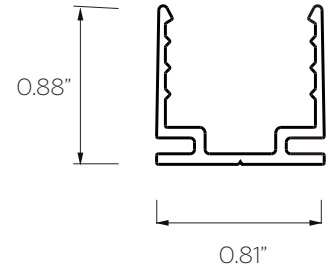
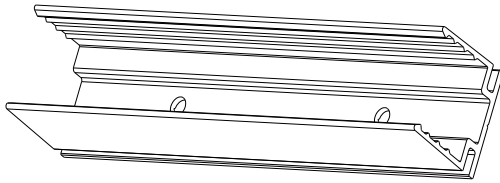
2AL  
2" Channel

39AL  
39" Channel



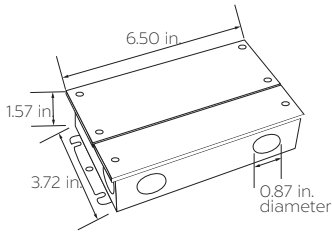
### PLASTIC CHANNEL

39PL  
39" Channel

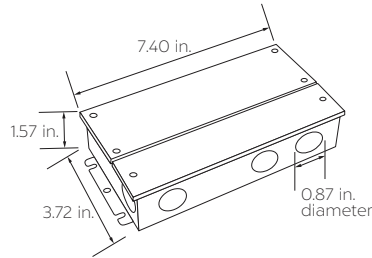


## POWER SUPPLY

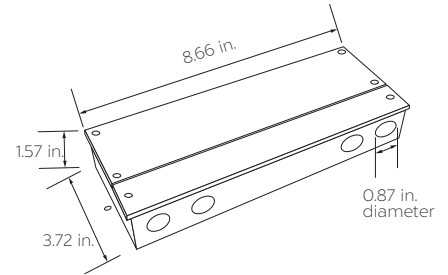
4N1-30W-24V



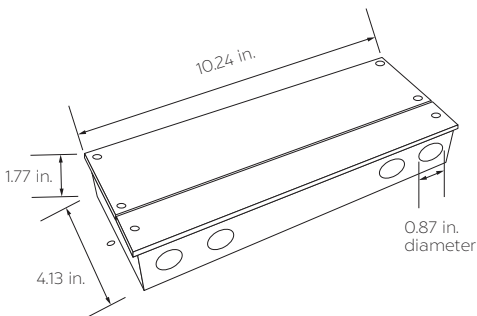
4N1-60W-24V



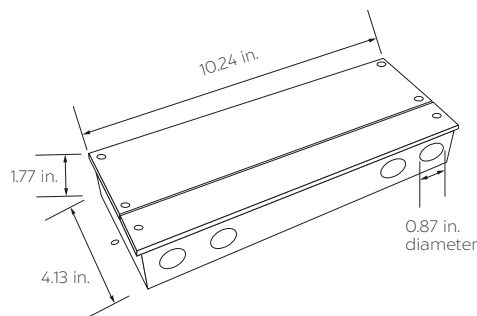
4N1-96W-24V



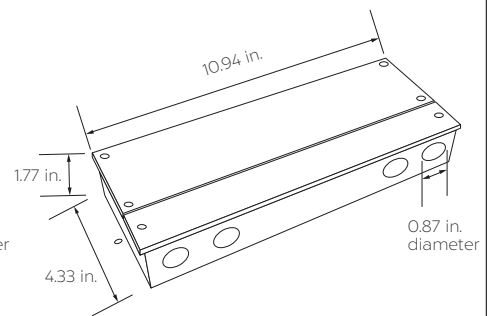
4N1-150W-24V



4N1-200W-24V



4N1-300W-24V



## COLOR TEMPERATURE GUIDE



**2700K**

WARM  
WHITE

friendly  
personal  
intimate

HOMES  
LIBRARIES  
RESTAURANTS



**3000K**

SOFT  
WHITE

soft  
warm  
pleasing

HOMES  
HOTEL ROOMS  
LOBBIES  
RETAIL STORES



**3500K**

NEUTRAL  
WHITE

sociable  
inviting  
non-threatening

EXECUTIVE OFFICES  
RECEPTION AREAS  
SUPERMARKETS



**4000K**

COOL  
WHITE

neat  
clean  
efficient

OFFICES  
CLASSROOMS  
MASS MERCHANDISERS  
SHOWROOMS



**5000K**

DAY  
LIGHT

bright  
cool  
alert

GRAPHICS INDUSTRY  
HOSPITALS  
GALLERIES  
BEAUTY SALONS



## COMPATIBLE DIMMERS

BRAND	MODEL	INPUT	RANGE	MODEL	INPUT	RANGE
LUTRON®	<b>153PR-WH</b>	100-130V	0-100%	DZ6HD	100-130V	22-100%
	<b>DVCL-153PR-WH</b>	100-130V	0-100%	DV-600PR-BL	100-130V	0-100%
	<b>DVWCL-153PH-LA</b>	100-130V	0-100%	DV-600PR-WH	100-130V	0-100%
	<b>CTCL-153PDH-LA</b>	100-130V	0-100%	PD-6WCL	100-130V	20-100%
	<b>TGCL-153PR-WH</b>	100-130V	0-100%	PD-5NE-WH	100-130V	18-100%
	<b>TGCL-153PH-WH</b>	100-130V	0-100%	NTLV-600-277-WH	100-130V	1-100%
	<b>MACL-153MH-LA</b>	100-130V	20-100%	ST-12P-277	100-130V	12-100%
	<b>CT-600PR-IV</b>	100-130V	0-100%	NTF-10-277	100-130V	1-100%
	<b>CT-600PR-WH</b>	100-130V	0-100%	SELV-300P	100-130V	15-100%
	<b>CT-103PR-WH</b>	100-130V	2-100%	MSCELV-600M	100-130V	0-100%
	<b>MIR-600M</b>	100-130V	2-100%	MEF2-6ELV-120	100-130V	0-100%
	<b>TG-600PR-LA</b>	100-130V	4-100%	DVELV-300P	100-130V	15-100%
	<b>TG-600PR-IV</b>	100-130V	0-100%	S-600PR-WH	100-130V	0-100%
	<b>TG-600PR-WH</b>	100-130V	0-100%	MRF2-6ND-120-AL	100-130V	0-100%
	<b>TG-10PR-WH</b>	100-130V	0-100%	MRF2-6CL-GR	100-130V	15-100%

LEVITON	<b>VPI06-1LZ</b>	100-130V	15-100%	6672	100-130V	20-100%
	<b>TTI06-1LZ</b>	100-130V	1-100%	6683	100-130V	10-100%
	<b>IPL06</b>	100-130V	15-100%	6602	100-130V	0-100%
	<b>DZ6HD</b>	100-130V	17-100%	AWSMT-EAW	100-130V	0-100%
	<b>TBL03</b>	100-130V	15-100%	AWSMT-EAW	277V	0-100%
	<b>6674</b>	100-130V	16-100%			

LEGRAND	<b>RHCL453PNICCV6</b>	100-130V	6-100%			
	<b>WSCL450TCCCV4</b>	100-130V	11-100%			
	<b>LSCL453PLACCV4</b>	100-130V	11-100%			

CRESTRON	<b>CLW-DELVEX-P-W-S</b>	100-130V	11-100%			
----------	-------------------------	----------	---------	--	--	--