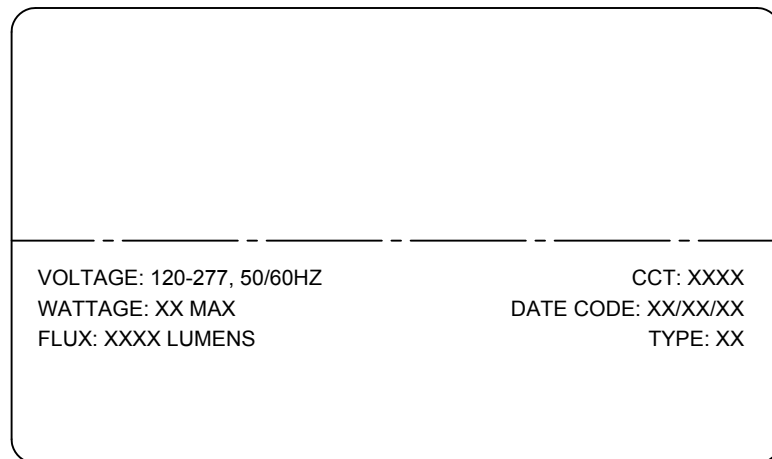


121 -66-Wall Installation Instructions

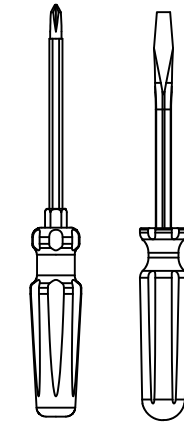
Preparation - Tools/Parts Identification

A. Identify Fixtures



- Use labels found on the box and inside fixture bodies to identify bodies.
- **NOTE:** Locations of labels can vary.
- Remove all fixtures from their boxes.
- Organize fixtures based on their labels at the install location.

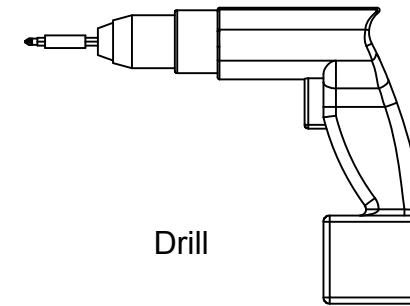
B. Tools Needed



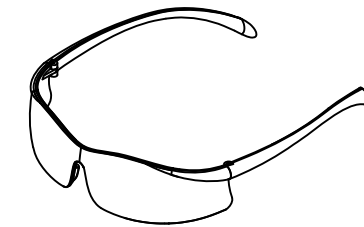
Screwdrivers



3/4" Drill Bit



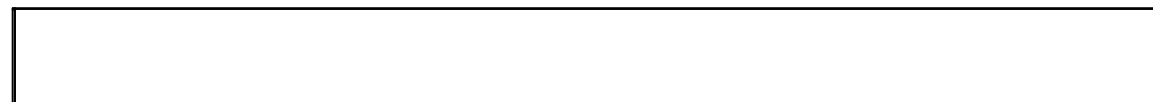
Drill



Safety Glasses

- Always use proper safety equipment when installing fixtures.
- Tools shown are recommended for standard install. Tools needed may vary based on actual install location conditions.

C. Identify Parts



12100-66 Wall Mount Fixture (Provided)



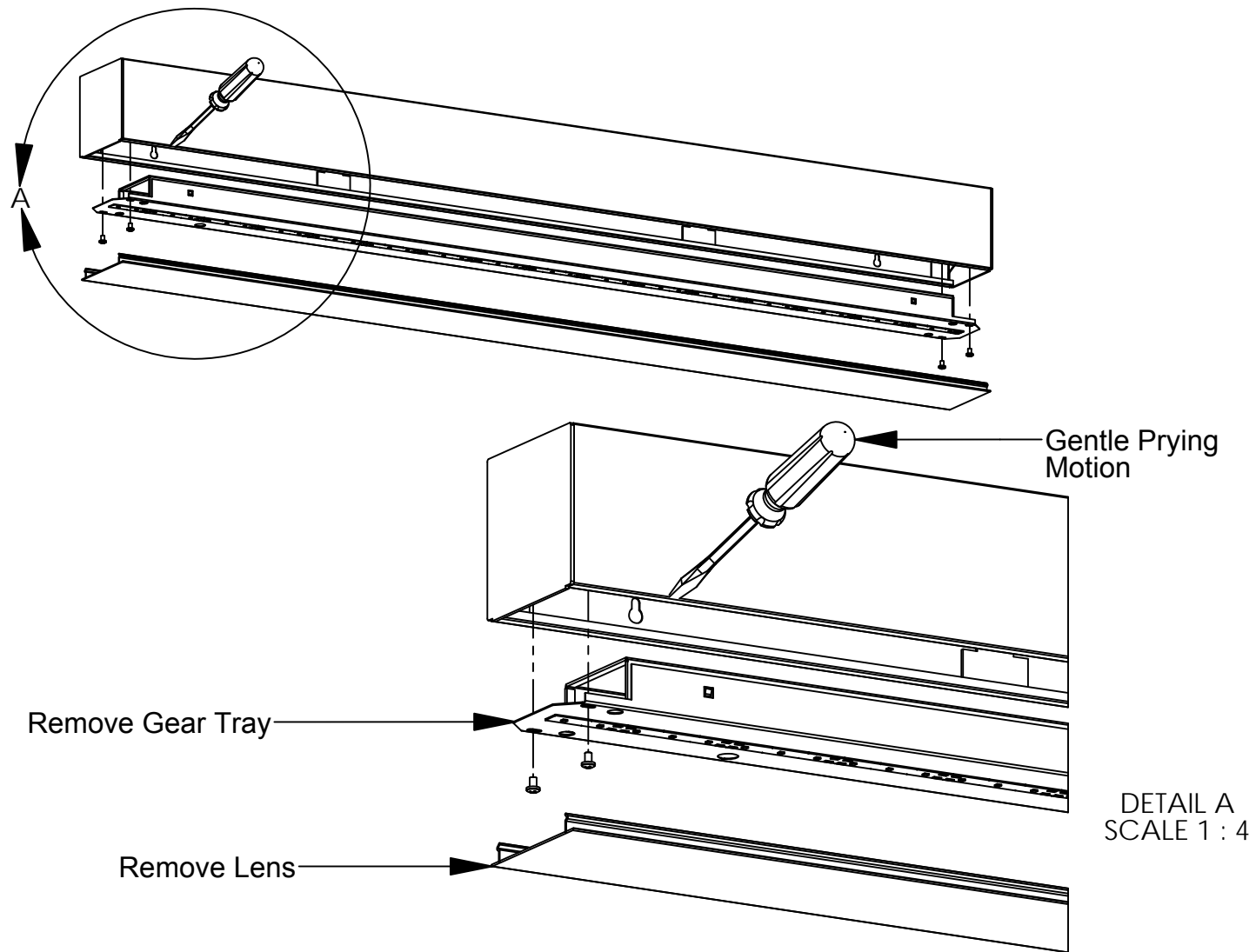
Mounting Screw W/ Anchor
(By Others)

- Read entire install instructions before beginning installation.
- Unpack all components and arrange in order of install steps.
- For help with installation, please contact us at www.alconlighting.com

12100-66-Wall Installation Instructions

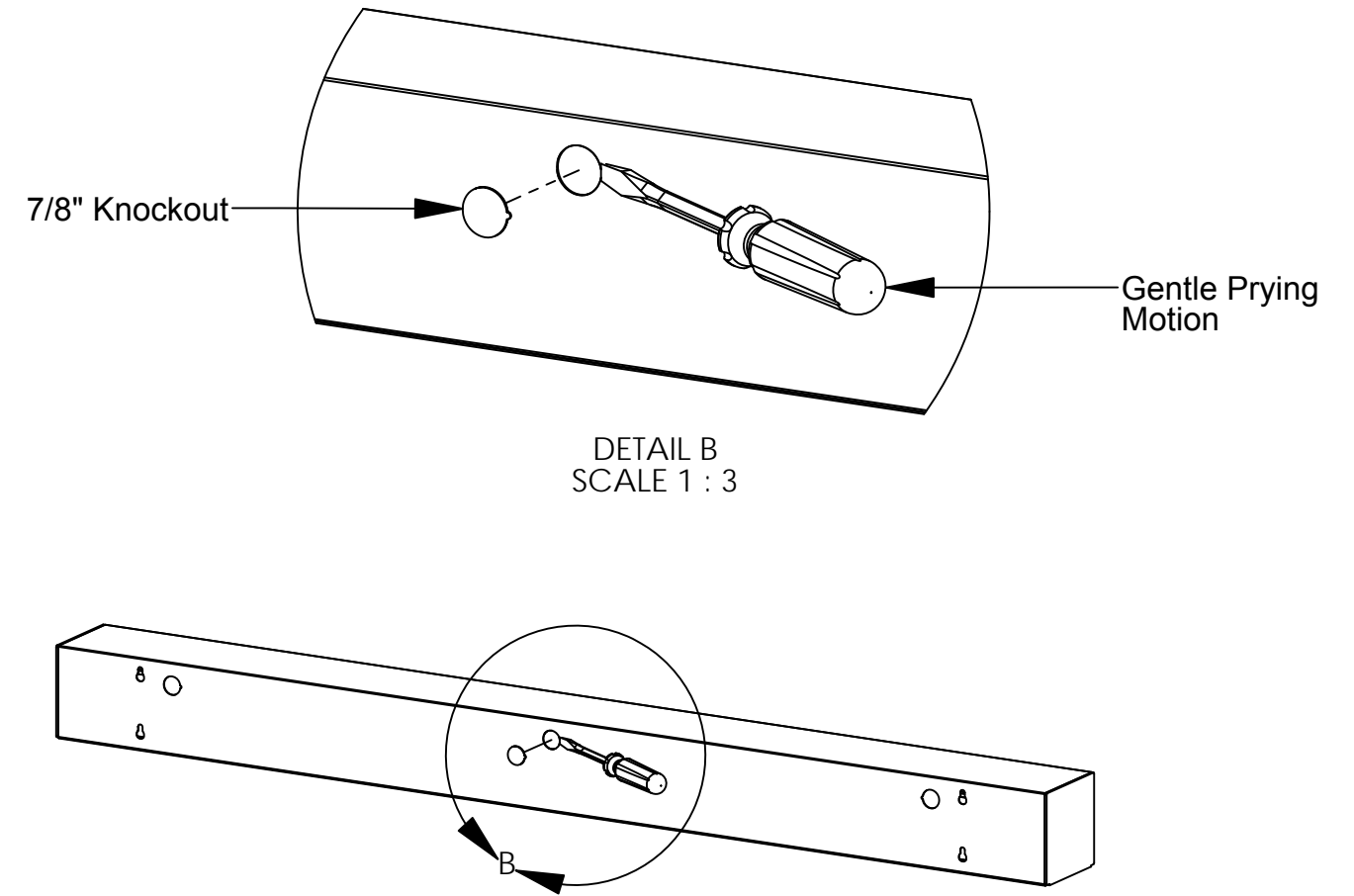
Step 1 - Prepare For Install

A. Remove The Lens & Gear Tray



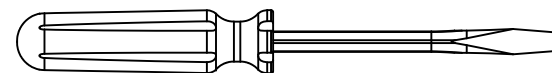
- Carefully insert a flat tip screwdriver, and use a gentle prying motion to remove lenses.
- Remove the gear tray as shown. Set the lens and gear tray aside in a safe location.

B. Remove 7/8" Knockout



- Using a gentle, prying motion, remove the 7/8" knock out from the desired location..

Items Used In This Step

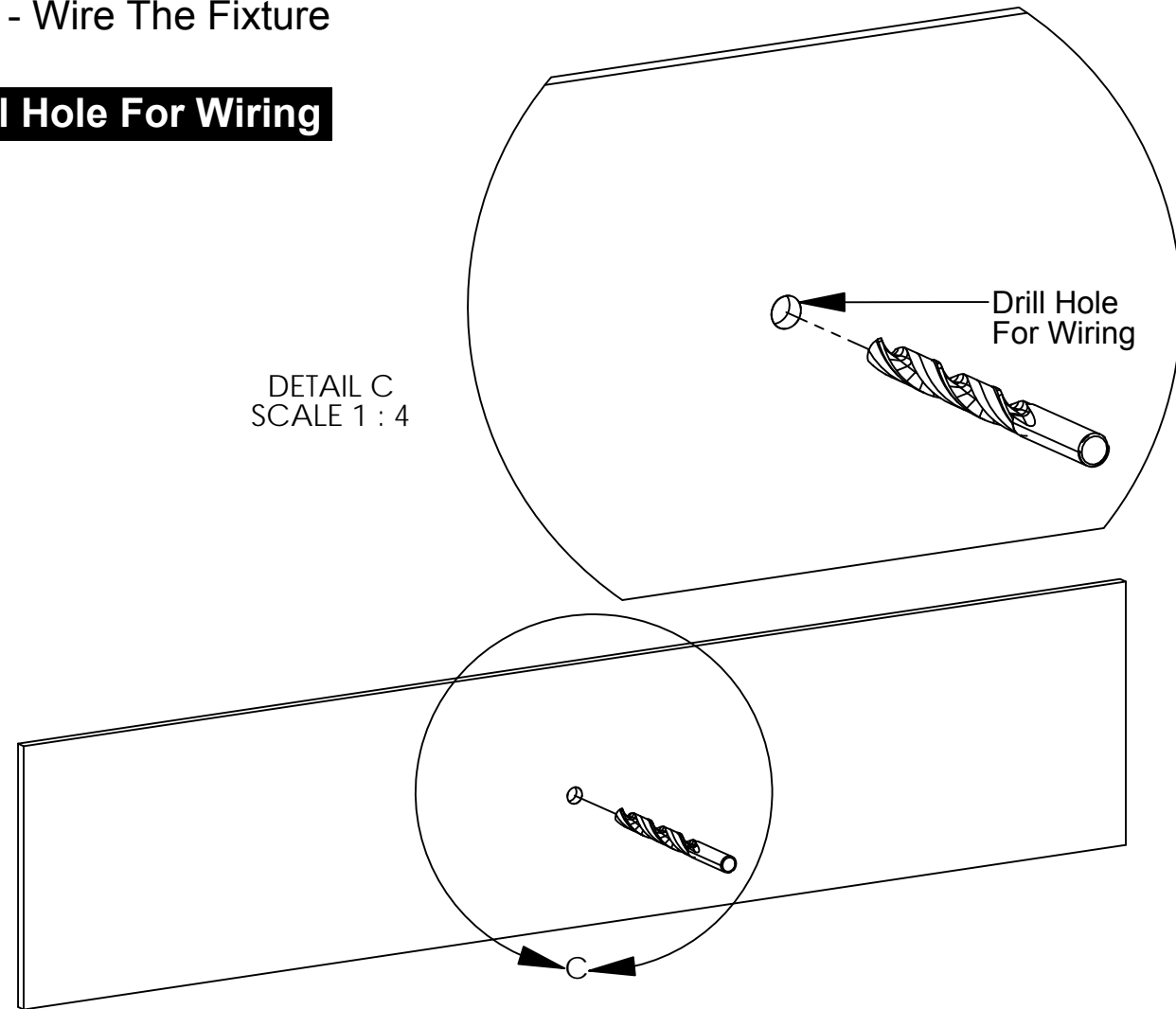


Flat Tip Screwdriver

12100-66-Wall Installation Instructions

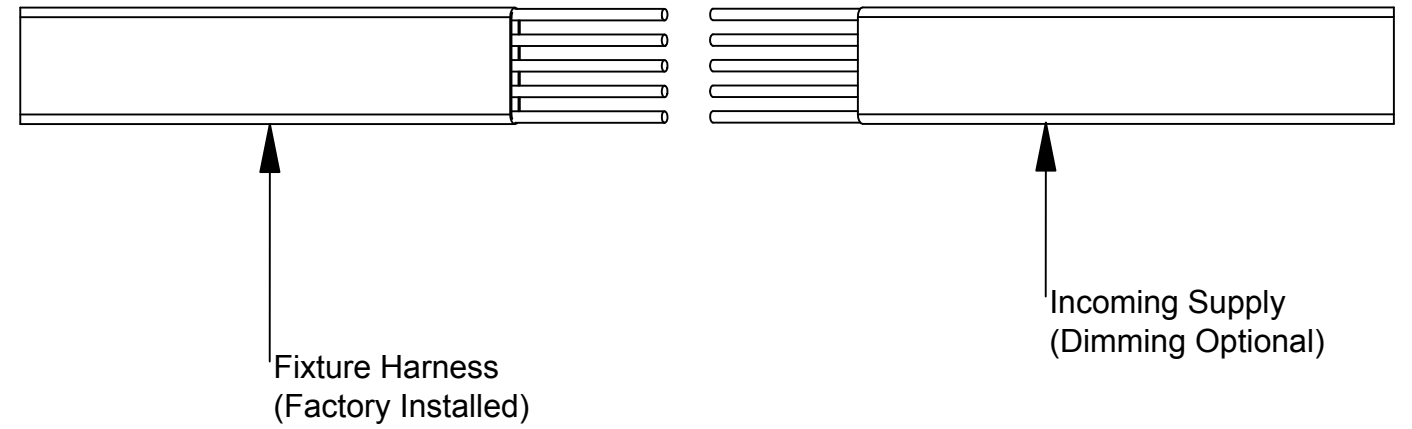
Step 2 - Wire The Fixture

A. Drill Hole For Wiring



- Using a 3/4" bit, drill a hole to allow supply wiring to pass thru.
- **Note:** Use caution when drilling as to not damage components inside of wall.

B. Connect The Wiring



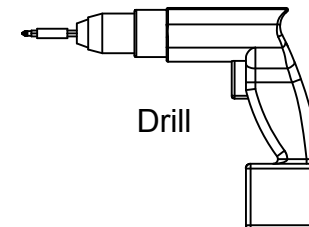
WIRING LEGEND		
Black	Hot	Line Voltage
White	Neutral	Line Voltage
Green	Ground	
Gray	Dimming	0-10V DC
Violet	Dimming	0-10V DC

- Wire the fixture to the incoming supply. Refer to the wiring legend above as needed.
- **Note:** Use UL approved connectors only. Follow all local, state and national codes

Items Used In This Step



3/4" Drill Bit

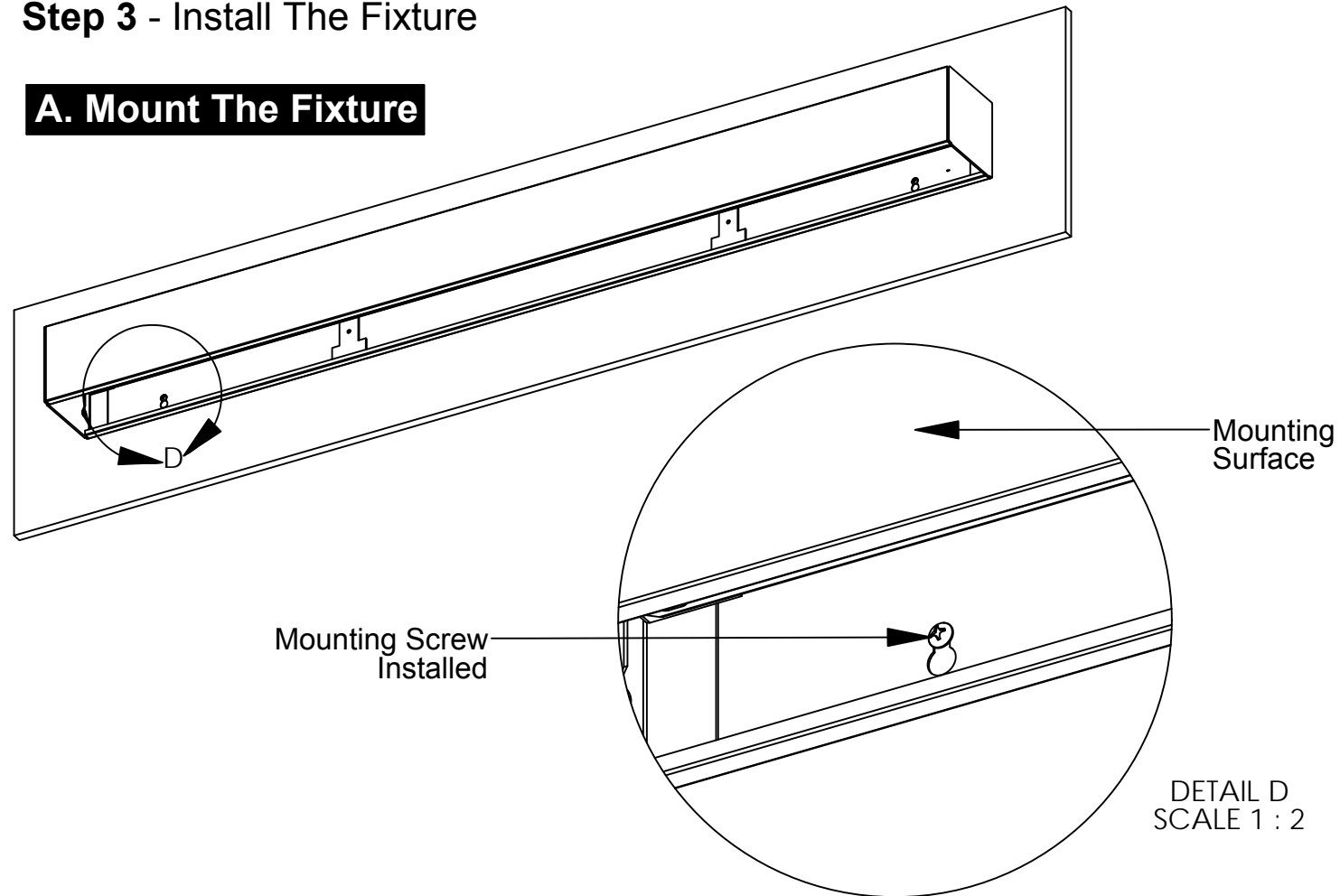


Drill

12100-66-Wall Installation Instructions

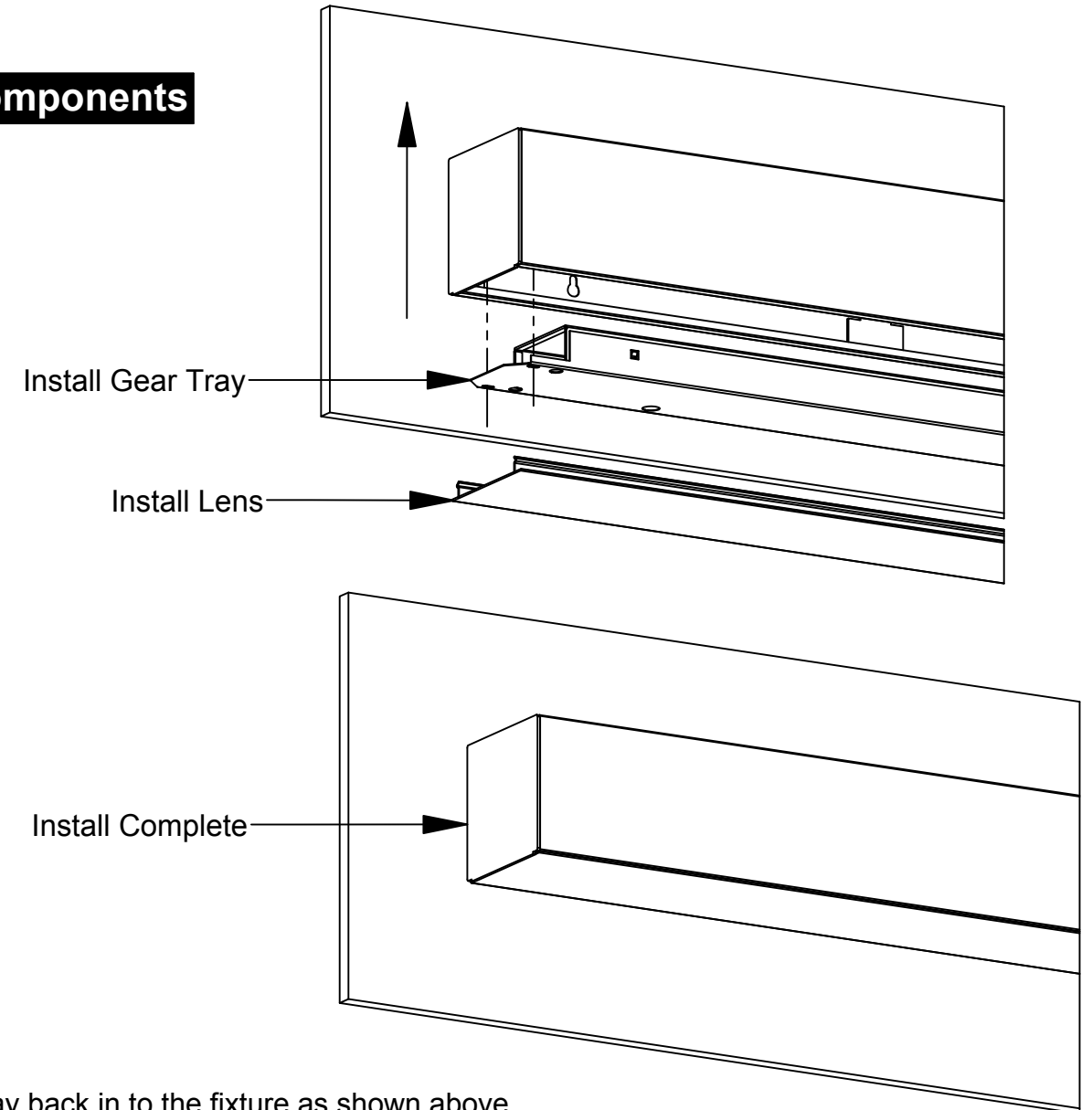
Step 3 - Install The Fixture

A. Mount The Fixture



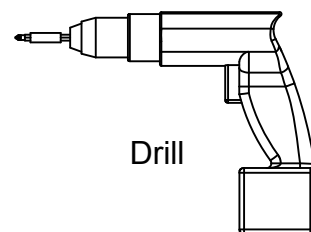
- Press the fixture firmly to the wall.
- Secure the body to the mounting surface using anchored mounting screws (by others).

B. Replace Components

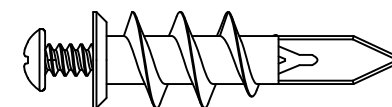


- Install the gear tray back in to the fixture as shown above.
- Reinstall the lens by lining up with the fixture and gently press, causing the lens to snap in.
- Install is now complete.

Items Used In This Step



Drill



Mounting Screw W/ Anchor
(By Others)