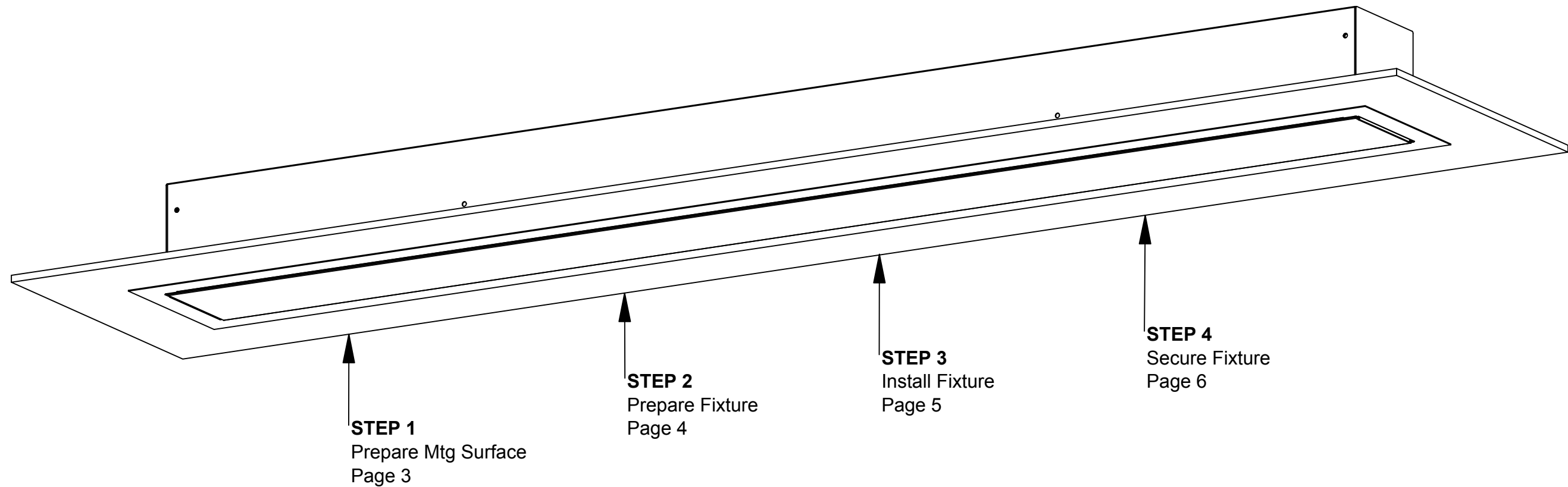


12100-66-Recessed Flange Installation Instructions

Overview

WARNINGS

- This product must be installed in accordance with all applicable codes by a person familiar with the product.
- Each fixture must be **properly supported** during install.
- **DO NOT** join fixtures on the floor prior to lifting, or damage will occur.
- **Before beginning installation**, review our complete list of warnings by visiting www.saylite.com/warnings.

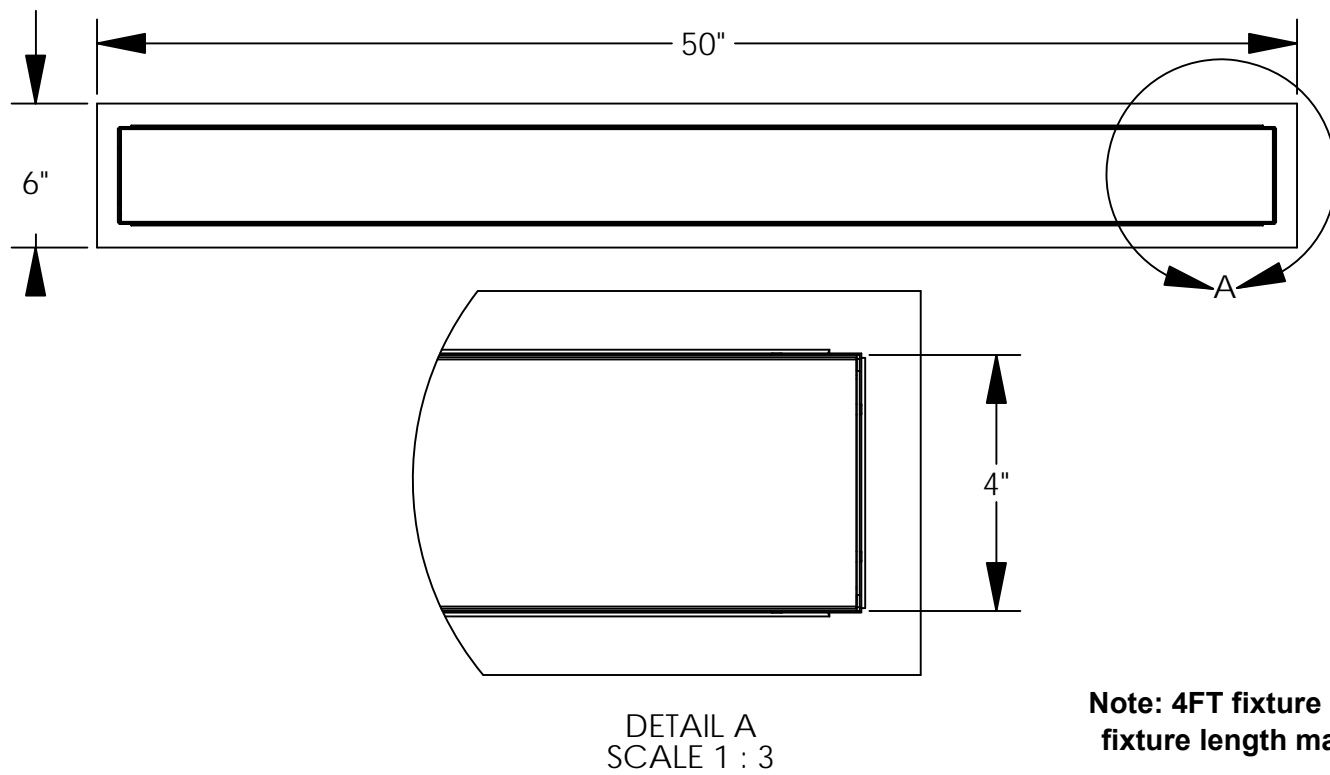


12100-66-Recessed Flange

Installation Instructions

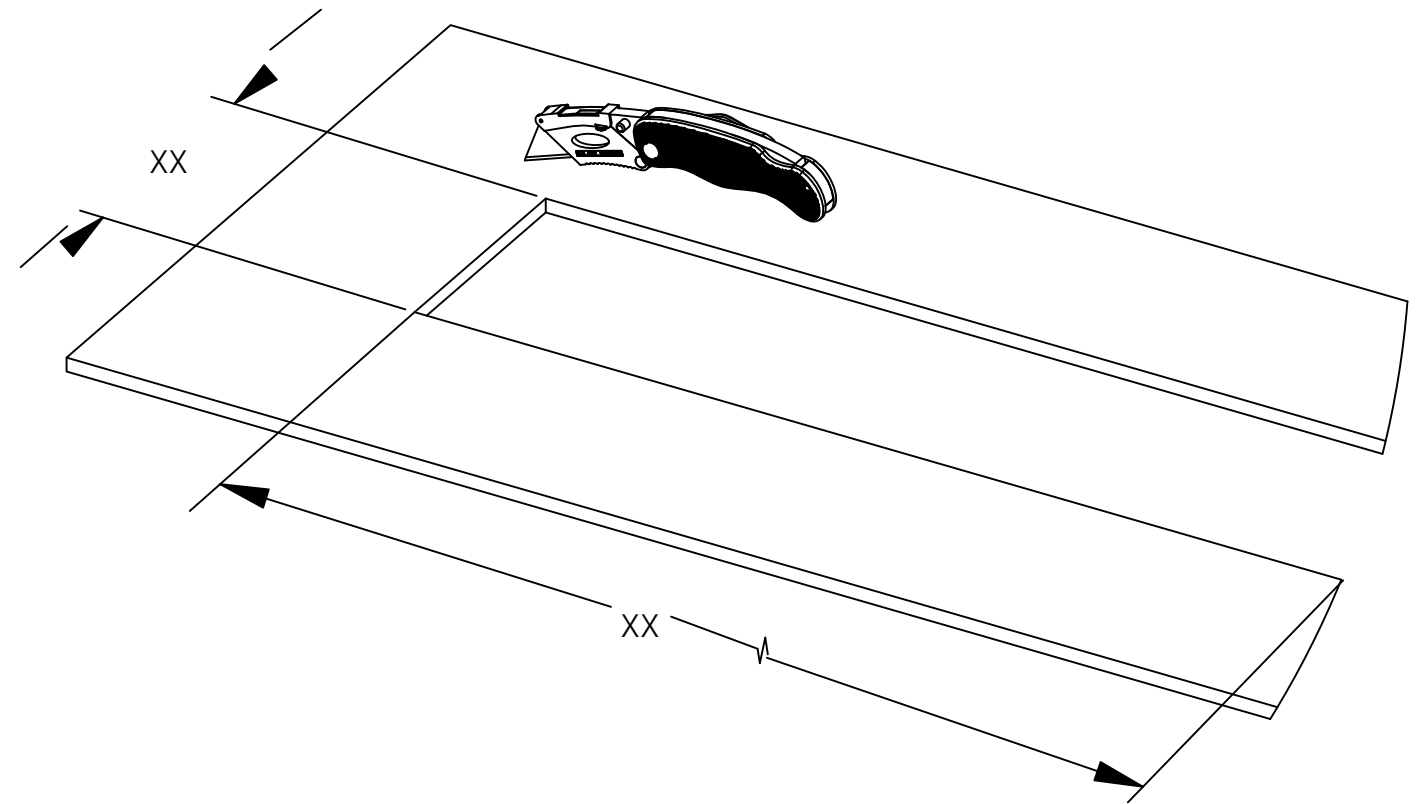
Step 1 - Prepare Mounting Surface

A. Transfer Measurements



- Note the length and width dimensions of the fixture, including the pre-installed flange.
- Transfer the dimensions to the mounting surface.

B. Make Cut-Out



- Using a utility knife or similar, cut out an opening for the fixture in the mounting surface.
- **Note:** Keep the cut out size as small and tight to the fixture as possible.

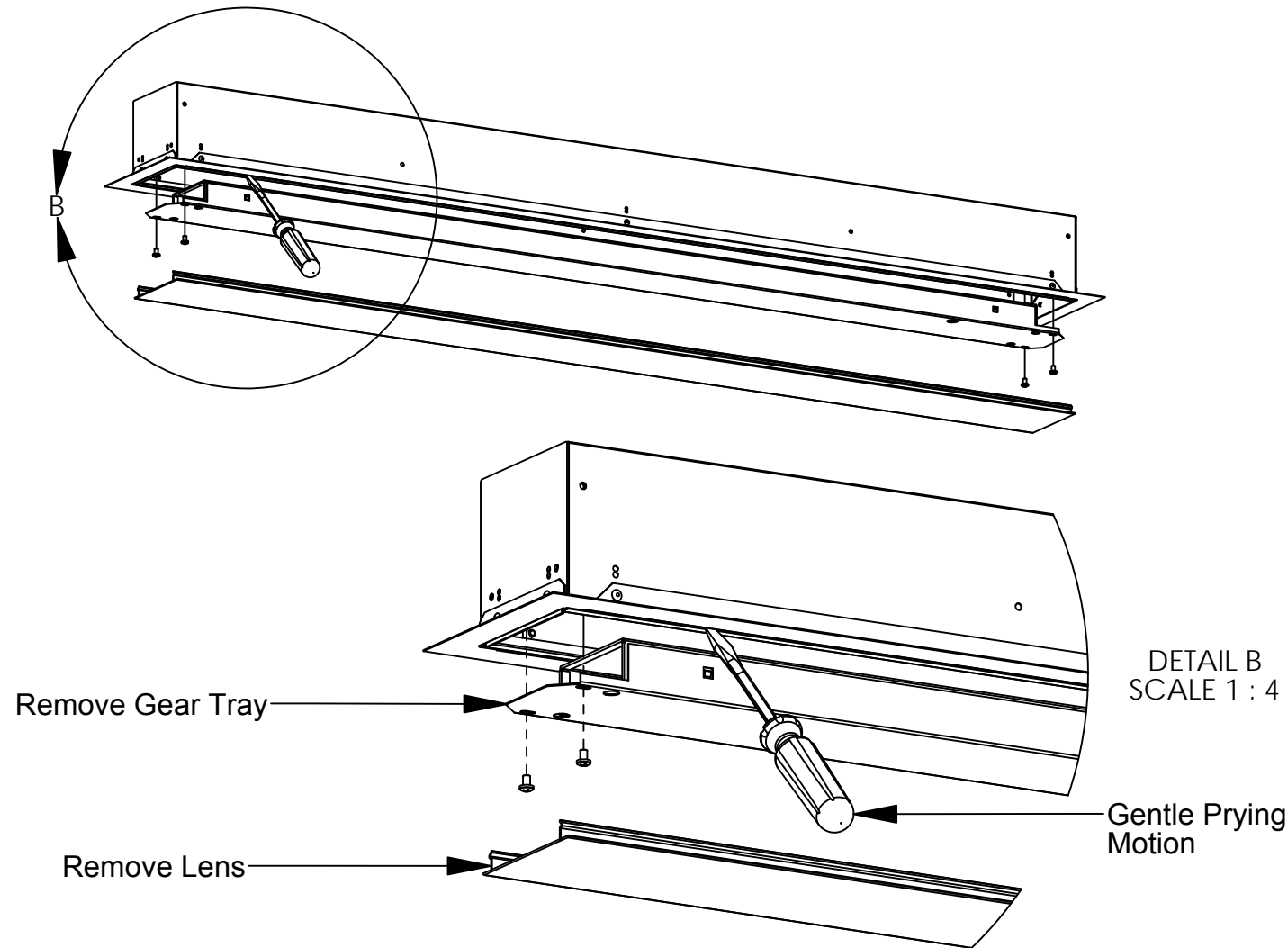
Items Used In This Step



Utility Knife

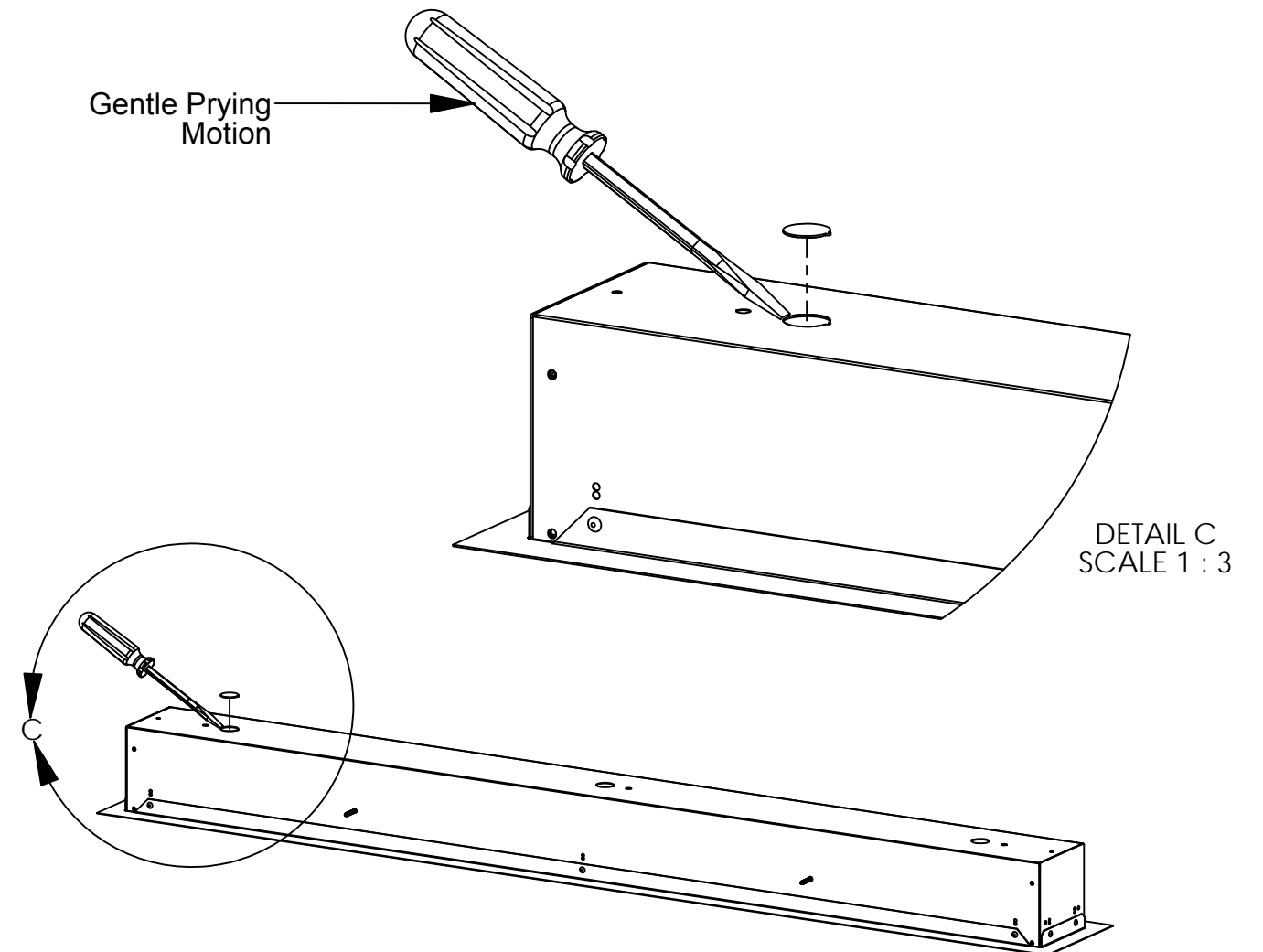
Step 2 - Prepare The Fixture

A. Open The Fixture



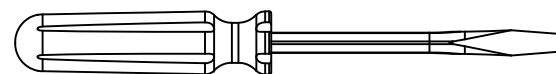
- Carefully insert a flat tip screwdriver, and use a gentle prying motion to remove lens.
- Remove the gear tray as shown. Set the lens and gear tray aside in a safe location.

B. Remove 7/8" Knockout

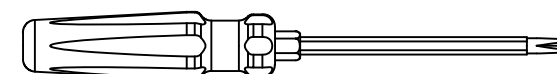


- Using a gentle prying motion, remove the 7/8" knock out from the desired location..

Items Used In This Step



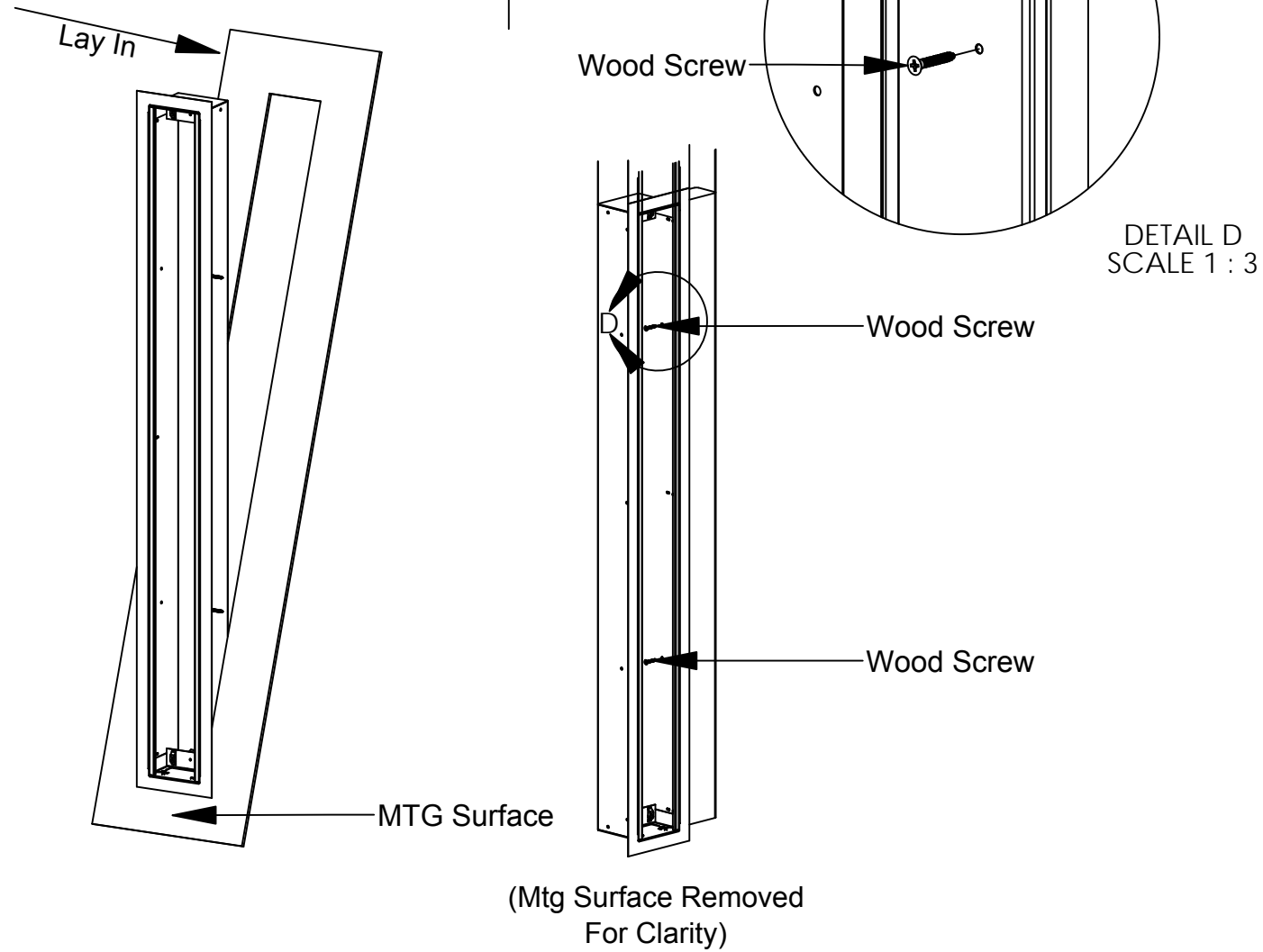
Flat Tip Screwdriver



Phillips Screwdriver

Step 3 - Install The Fixture

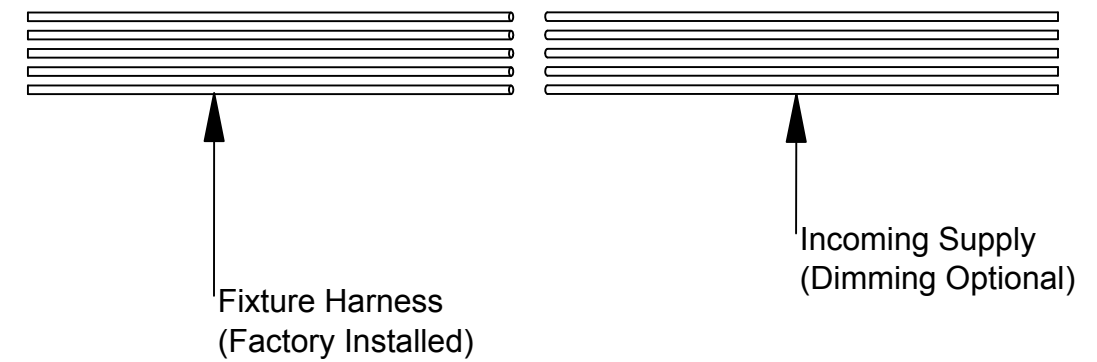
B. Position Fixture In Cut-Out



- Position one end of the fixture in to the opening as shown above.
- Gently lay the fixture in to the opening as shown, with the flange making full contact with the surface.
- Secure the fixture to an internal stud using wood screws as shown.

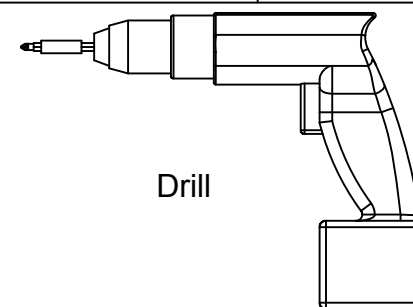
B. Connect Power Cord

WIRING LEGEND		
Black	Hot	Line Voltage
White	Neutral	Line Voltage
Green	Ground	
Gray	Dimming	0-10V DC
Violet	Dimming	0-10V DC



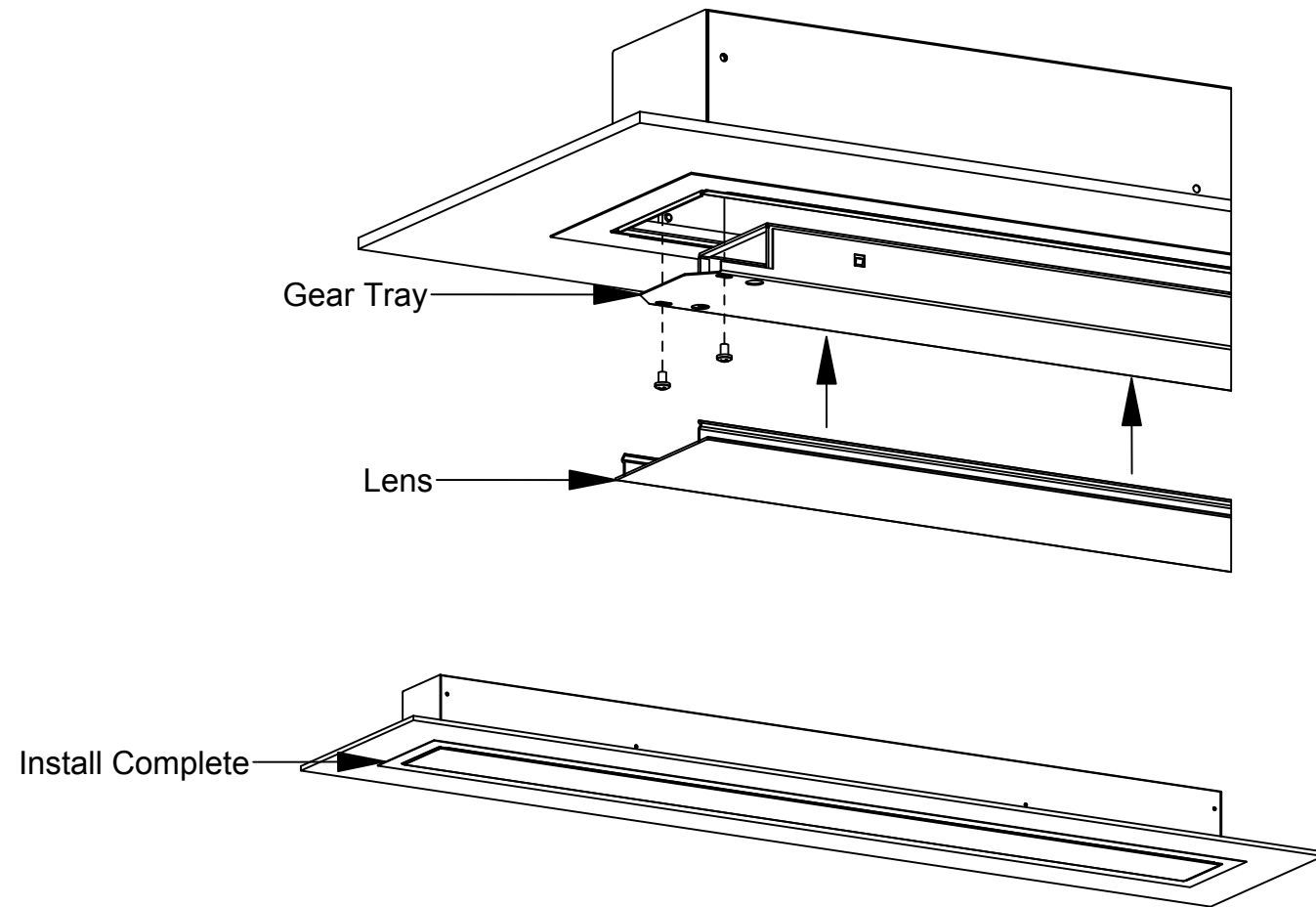
- Wire the fixture to the incoming supply. Refer to the wiring legend above as needed.
- **Note:** Use UL approved connectors only. Follow all local, state and national codes.

Items Used In This Step



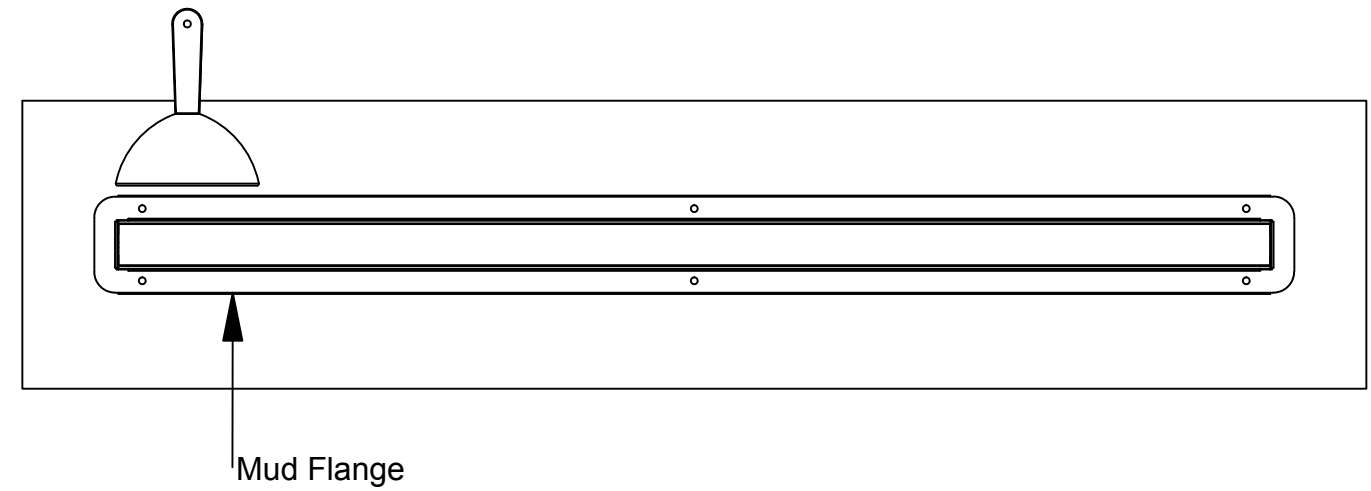
Step 4 - Secure The Fixture

A. Close The Fixture



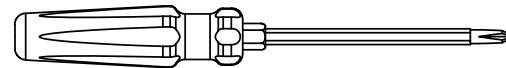
- Install the gear tray back in to the fixture as shown above.
- Reinstall the lens by lining up with the fixture and gently press, causing the lens to snap in.
- Install is now complete.

B. Mud Over Flange (Optional)

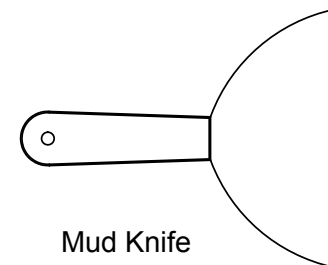


- **Note:** This is an optional finish. Check order and fixture details before proceeding.
- Following manufactures directions, float the mud flange to the install surface using dry-wall mud.
- Install is now complete.

Items Used In This Step



Phillips Screwdriver



Mud Knife
(Optional)