

Project Name:

Type:

Quantity:

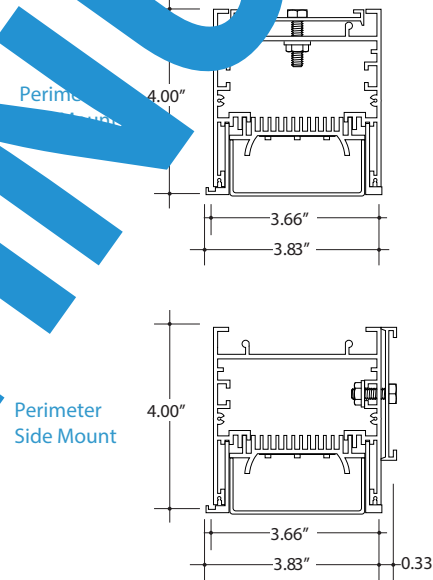
**FIXTURE SPECIFICATIONS**

**INTENDED USE**

Our LED recessed corner edge lighting is available in a variety of standard lengths (2', 4', 6', 8', 10' and 12') or custom runs of any length. This LED product offers architectural-grade linear lighting for extremely close proximity to the wall. The modern, slim perimeter striplight delivers both strong illumination and peak performance with versatility in multiple settings, including the office, class or conference room and museum, retail or restaurant, service and hospitality spaces. This downlighting product comes with a choice of voltage, mounting type, CRI and color temperature. Frosted lens and emergency battery included.

**FEATURES**

- Construction:** All aluminum construction using extruded architectural grade T6063 alloy
- Corner Mount:** 90° Angle Standard. Consult Factory for Custom Angles.
- Lens:** Glare Free Snap In Frosted Acrylic for Even Distribution
- Driver:** 0-10V 5-Wire Dimming to 1%
- Input Voltage:** 120/277V, 50/60Hz
- Lifetime:** L70: 378,000 hours | L90: 106,000 hours
- Ambient Operating Temperature:** -20°C to 40°C
- Power Factor:** Greater than 0.9
- Total Harmonic Distortion:** Less than 20%
- Warranty:** 5 Years Carefree for Parts & Components (Labor Not Included)
- Listings:** cUL Listing, Chicago Plenum rated, Made in the USA.



**ORDERING INFORMATION** Example: 12100-30-PR-2-4-90-308-EM-S-2-2-308

Model	Mounting	Trim	Finish	Shape	Length	Angle	Lumen Output	Color Temperature   CRI	Options
12100-30-PR	T Perimeter Top S Perimeter Side	F Flanged T Trimless	W White	S Single Run CR Continuous Run O L-Shape Outside Corner L L-Shape Inside Corner	2', 4', 6', 8', 10' and 12' Specify Length in Feet	90° ANGLE 90° ANGLE	Per 4 Foot Sections 2 2000 Lumens 4 4000 Lumens	For Residential use 308 3000K   80+ 309 3000K   95+ For Commercial Use 358 3500K   80+ 359 3500K   95+ 408 4000K   80+ 409 4000K   95+	EM Emergency Back-Up Battery

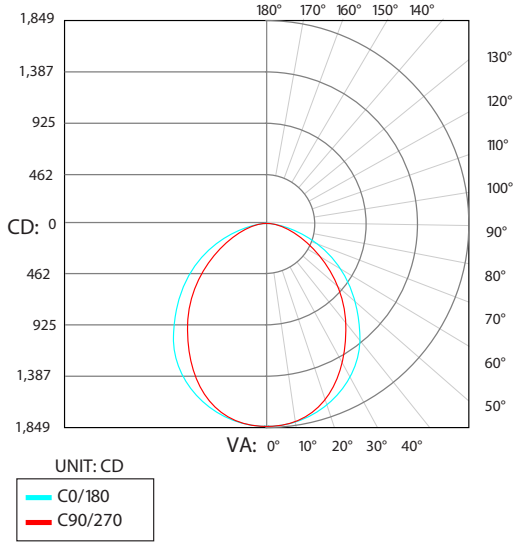
Draw your Custom shape here and send us your idea to [rfq@alconlighting.com](mailto:rfq@alconlighting.com)

Length	Angle	I-Inside Corner O-Outside Corner	Length	Angle	I-Inside Corner O-Outside Corner	Length	Angle	I-Inside Corner O-Outside Corner	Length	Angle	I-Inside Corner O-Outside Corner



Alcon 12100-30-PR Recessed Linear Ceiling-to-Wall Corner LED Light

Polar Candela Distribution



Candlepower Summary

Angle	0.0	22.5	45.0	67.5	90.0
0	1849	1849	1849	1849	1849
5	1849	1848	1846	1842	1838
10	1833	1830	1820	1808	1796
15	1799	1793	1774	1750	1726
20	1746	1733	1705	1669	1636
25	1675	1656	1615	1565	1520
30	1588	1559	1506	1445	1389
35	1476	1445	1383	1310	1248
40	1324	1301	1240	1164	1098
45	1166	1139	1086	1019	947
50	1002	979	933	872	803
55	841	818	781	729	665
60	688	664	636	596	536
65	538	520	499	469	420
70	395	382	370	351	312
75	266	257	254	245	215
80	149	146	148	145	128
85	54	56	63	65	54
90	6	2	3	4	0

Down Light Lumens

Lumen Output	Average Wattage
500 lm/ft	3.7 w/ft
1000 lm/ft	7.6 w/ft

Lumen Range	Efficacy
0 - 1500 lm	138 lm/w
1500 - 3000 lm	147 lm/w
3000 - 4800 lm	141 lm/w
4800 - 6000 lm	130 lm/w
6000 + lm	125 lm/w

LED Multiplier

3000K - 95 CRI	0.79
3500K - 95 CRI	0.80
4000K - 95 CRI	0.83
3000K - 85 CRI	0.96
3500K - 85 CRI	0.97
4000K - 85 CRI	1.00