

INSTALLATION INSTRUCTIONS

WARNINGS

- This product must be installed in accordance with all applicable codes by a person familiar with the product.
- Each luminaire must be **properly supported** during install.
- **DO NOT** join fixtures on the floor prior to lifting, or damage will occur.

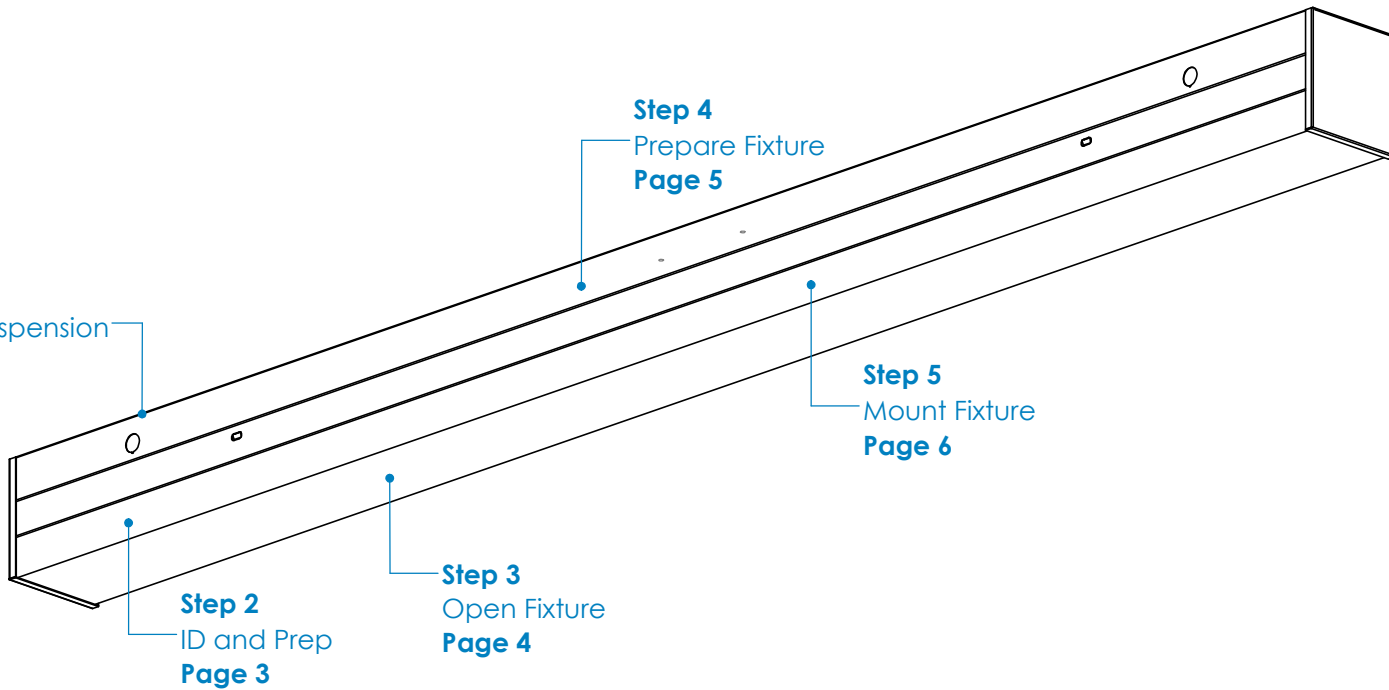
Step 1
Mounting and Suspension
Page 2

Step 2
ID and Prep
Page 3

Step 3
Open Fixture
Page 4

Step 4
Prepare Fixture
Page 5

Step 5
Mount Fixture
Page 6



INSTALLATION INSTRUCTIONS

Step 1 - Mounting and Suspension

Mounting

Drywall or other hard surfaces* - Anchoring Screws

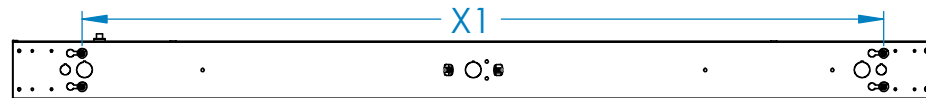
- Install anchor mounts at suspension locations.
- Ensure anchors are secure.
- Prepare fixture for mounting.

*Other hard surfaces include: wood, sheet metal panels, steel beams, concrete or masonry. Use hardware appropriate for each surface and material type.

Suspension Locations

X = Suspension Dimensions

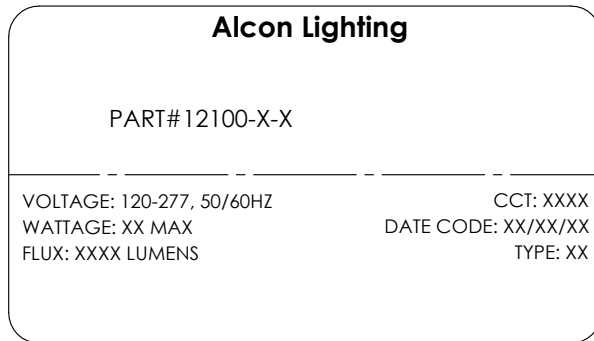
Refer to Assembly Drawings and building plans to determine exact mounting, suspension points, and power feed locations.



INSTALLATION INSTRUCTIONS

Step 2 - Identification and Preparation

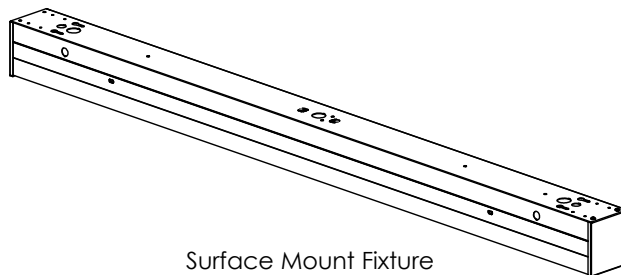
A. Identify Fixtures



- Use labels found on the box and inside the fixture bodies to identify bodies.
- **NOTE:** Locations of labels can vary.
- Remove all fixtures from their boxes.
- Organize fixtures based on their labels at the install location.

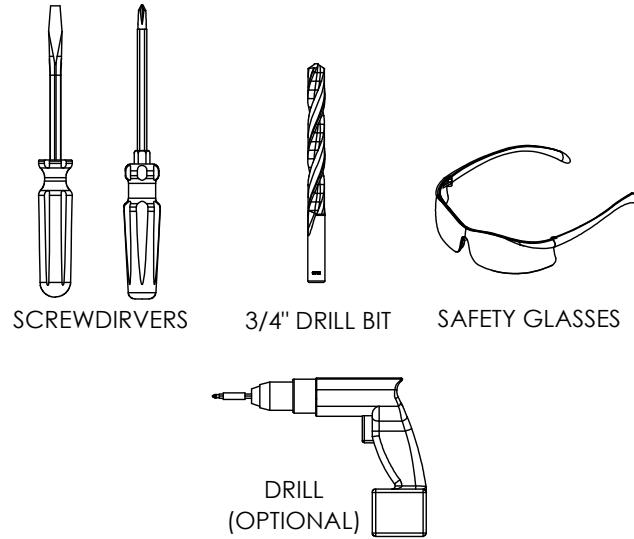
Kitted Hardware

- items provided are listed here. These items can be found in separate boxes shipped with the fixture.
- Ensure all parts are accounted for and set them aside until needed.
- Any additional hardware needed for this installation will be provided by others.



Surface Mount Fixture
(provided)

B. Tools Needed



- Always use proper safety equipment when installing fixtures.
- Tools shown are recommended for standard install. Tools needed may vary based on actual install location conditions.

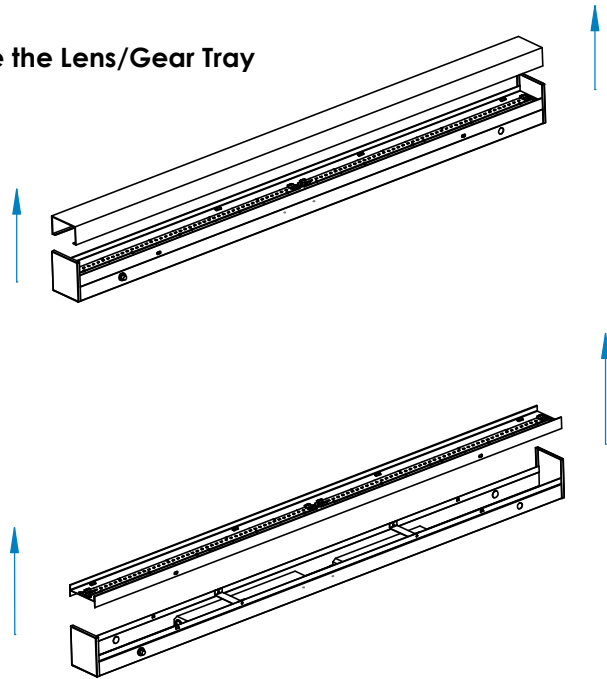


Mounting Anchor w/ Screw
(not provided)

INSTALLATION INSTRUCTIONS

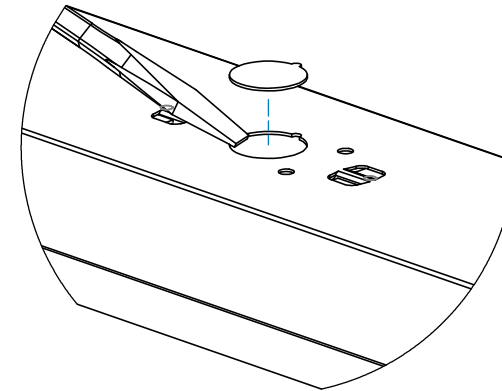
Step 3 - Open the Fixture

A. Remove the Lens/Gear Tray

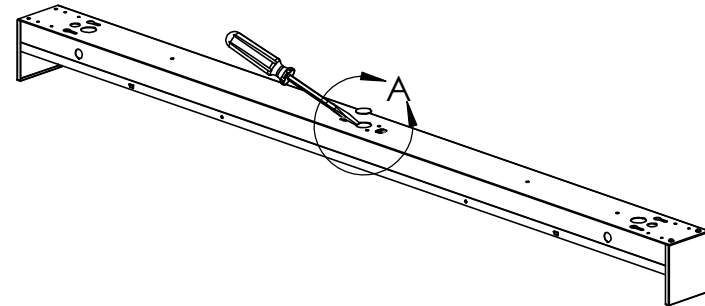


- Remove lens by gently flexing on each side until the lens pops off. Set aside for future use.
- Remove the LED gear tray as shown above and set aside in a safe place for future use.

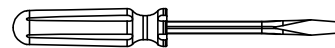
B. Remove the Knockout



DETAIL A



- Use a gentle prying motion to knock out the 7/8" knockout from desired location.

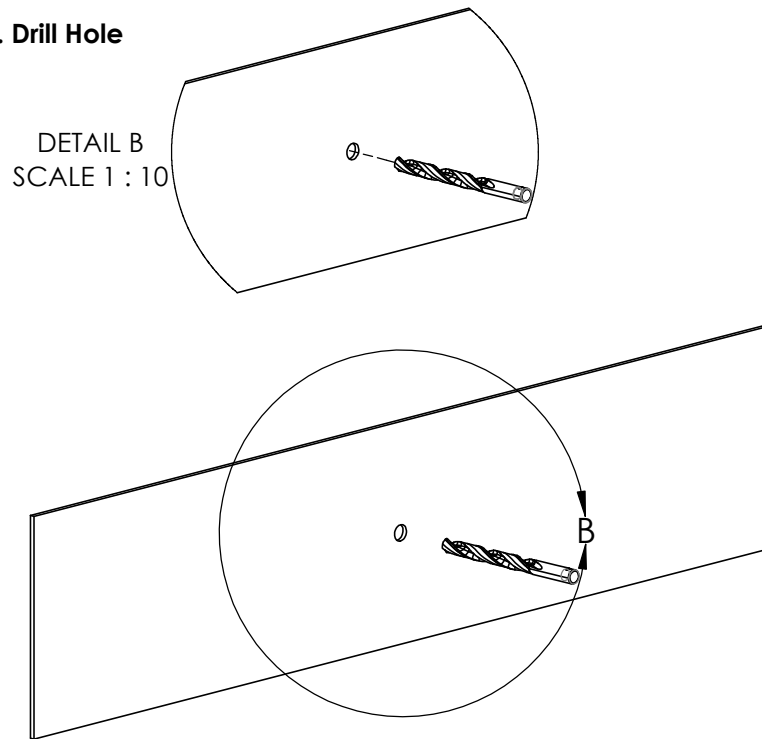


FLAT TIP SCREWDRIVER

INSTALLATION INSTRUCTIONS

Step 4 - Prepare Fixture

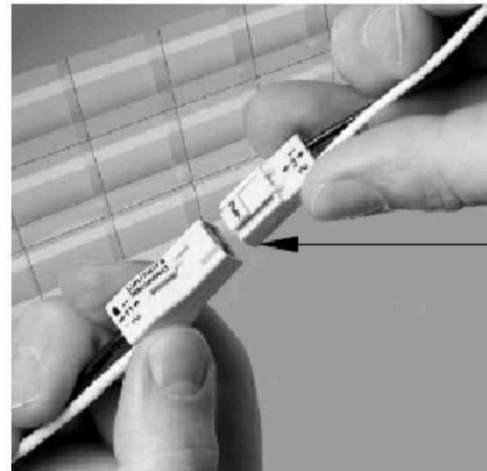
A. Drill Hole



- Using a 3/4" drill bit, drill a hole to allow supply wiring to pass through.
- **Note:** Use caution when drilling as to not damage components inside the wall.

B. Connect Power

QUICK DISCONNECT



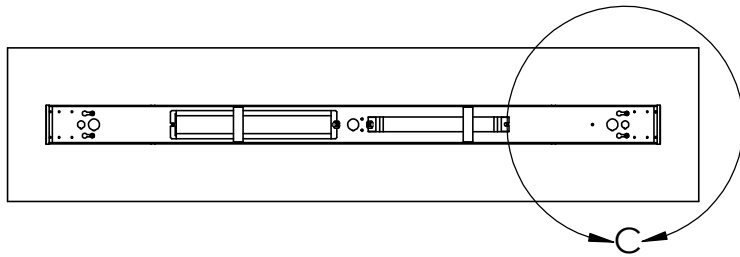
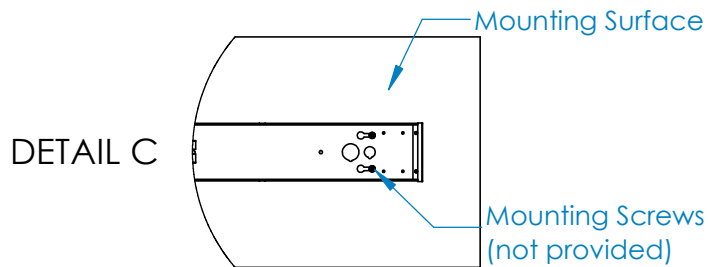
| WIRING LEGEND | | |
|---------------|---------|--------------|
| BLACK | HOT | Line Voltage |
| WHITE | NEUTRAL | Line Voltage |
| GREEN | GROUND | |
| GRAY | DIMMING | 0-10V DC |
| VIOLET | DIMMING | 0-10V DC |

- Wire the fixture to the incoming supply using the connectors as shown.
- For dimming option, refer to the wiring legend above as needed.
- **Note:** Use UL approved connectors only. Follow all local, state and national codes.

INSTALLATION INSTRUCTIONS

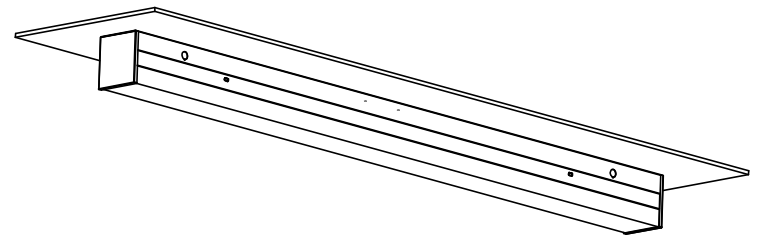
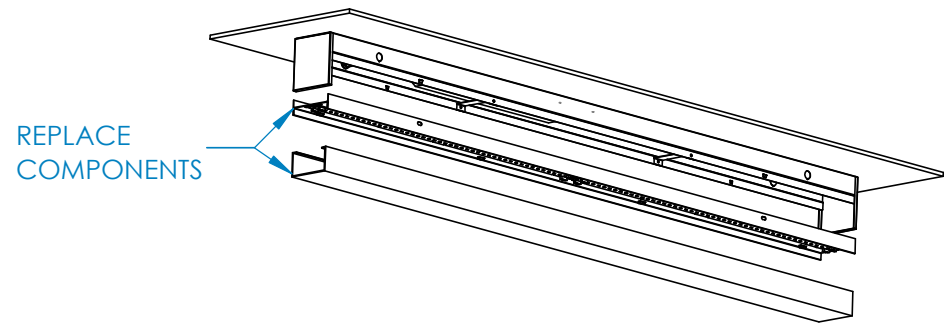
Step 5 - Mount The Fixture

A. Mount The Body



- Press the fixture firmly to the ceiling.
- Secure the body to the mounting surface using anchored mounting screws (not provided).

B. Replace Components



- Install the LED gear tray and lens removed in Step 3 as shown. Ensure parts are secure.
- Installation is now complete.