

Project Name:

Type:

Quantity:

FIXTURE SPECIFICATIONS

INTENDED USE

Get wet location-rated linear lighting for recessed ceiling exterior spaces with this linear LED light channel. Our trimmed, linear wet-location light fixture affords LED architectural-grade downlighting. Available in 2-ft, 4-ft, 6-ft and 8ft standard lengths.



FEATURES

Construction: Aluminum construction with frosted lens.

Installation: Factory assembled for easy and fast installation. Standard 7/8" knock out provided on top of the fixture.

Driver: Integral 0-10V dimmer

Lumen: 1034L per foot

Wattage: 12W per foot

CRI: 90+

Life: 50,000 Hours

Listings: cULus, RoHS, LM-80, Wet Location Rated

Warranty: 3 years carefree for parts & components (labor not included)

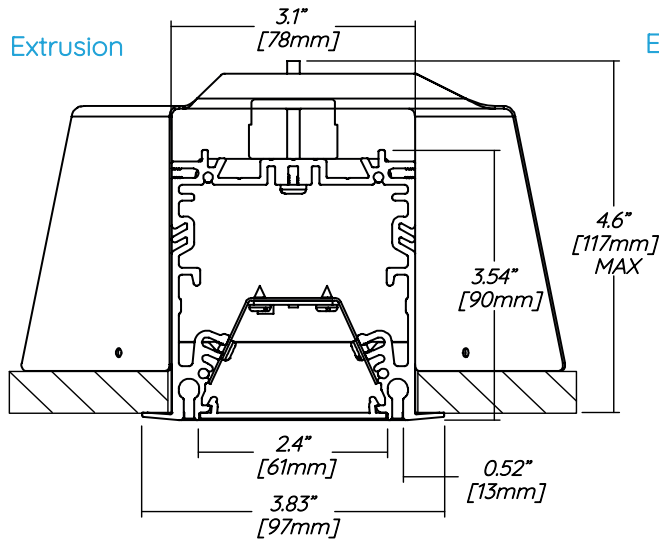


ORDERING INFORMATION EXAMPLE: (12100-24-R-2-SL-27K)

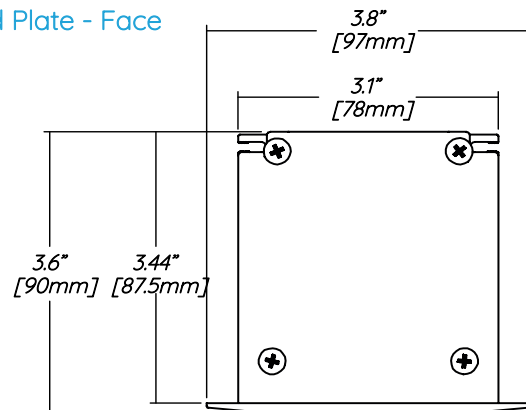
Model	Length	Finish	Color Temperature	Options
12100-24-R	2	SL	27K	EM ¹ Emergency Battery Back-up
	25.25"	Silver	2700K	
	4	BK	30K	
	47.75"	Black	3000K	
	6	WH	35K	
8	70.25"	White	3500K	
	8		40K	
	92.75"		4000K	

¹ Only available with -8 length option

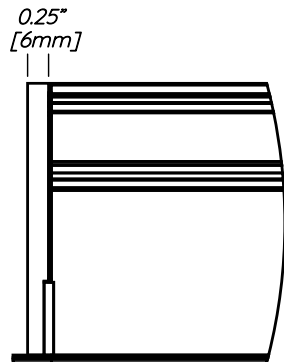
DIMENSIONS



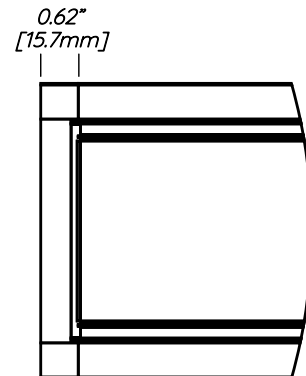
End Plate - Face



End Plate - Side



End Plate - Bottom



PHOTOMETRICS

Zonal Lumen Summary

Zone	Lumens	%Fixt
0-20	528.37	15.50
0-30	1085.53	31.90
0-40	1709.34	50.30
0-60	2806.23	82.60
0-80	3352.15	98.60
0-90	3398.12	100.00
10-90	3258.52	95.90
20-40	1180.97	34.70
20-50	1777.92	52.30
40-70	1453.16	42.80
60-80	545.92	16.10
70-80	189.65	5.60
80-90	45.97	1.40
90-110	0.56	0.00
90-120	0.57	0.00
90-130	0.57	0.00
90-150	0.57	0.00
90-180	0.57	0.00
110-180	0.01	0.00
0-180	3398.69	100.00

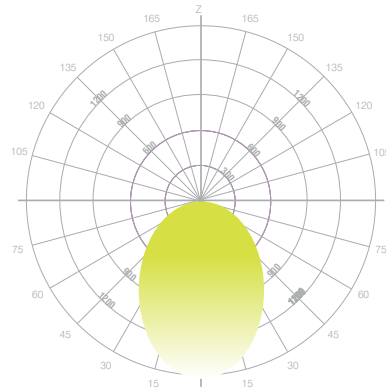
Luminance DATA (cd/sq.m)

Angle in °	Average 0°	Average 45°	Average 90°
45	1633	17494	18653
55	14387	15594	16807
65	12589	13662	14754
75	10484	11188	11811
85	7096	6899	6301

IES Indoor Report Coefficients of utilization - zonal cavity method Effective Floor Cavity Reflectance 0.20

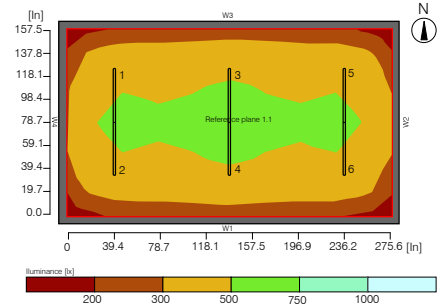
RC	80				70				50				30				10				0
RW	70	50	30	10	70	50	30	10	50	30	10	50	30	10	50	30	10	50	30	10	0
0	119	119	119	119	116	116	116	116	111	111	111	106	106	106	102	102	102	100	100	100	100
1	109	105	101	97	107	103	99	96	99	96	93	95	92	90	91	89	87	85	85	85	85
2	100	92	86	80	98	90	85	80	87	82	78	84	80	76	81	77	74	72	72	72	72
3	92	82	74	68	89	80	73	67	77	71	66	74	69	65	72	68	64	62	62	62	62
4	84	73	64	58	82	72	64	58	69	62	57	67	61	56	65	60	55	53	53	53	53
5	78	66	57	51	76	64	56	50	62	55	50	60	54	49	59	53	49	47	47	47	47
6	72	59	51	44	70	58	50	44	57	49	44	55	48	44	53	48	43	41	41	41	41
7	67	54	46	40	65	53	45	39	52	44	39	50	44	39	49	43	39	37	37	37	37
8	63	49	41	36	61	49	41	35	47	40	35	46	40	35	45	39	35	33	33	33	33
9	59	46	38	32	57	45	37	32	44	37	32	43	36	32	42	36	32	30	30	30	30
10	55	42	34	29	54	42	34	29	41	34	29	40	33	29	39	33	29	27	27	27	27

Vesta Light Distribution



- Fixture: Vesta 48" [121.92 cm]
- Total Lumen Output: 3399 lm
- Wattage: 45 W
- Lumen per Watt: 75

Vesta Performance Example



- Calculation algorithm used Average indirect fraction
- Height of luminaire plane 118.11" [3.00 m]
- Maintenance factor 31.5% [0.80 m]
- Total luminous flux of all lamps 20358 lm
- Total power 270.0 W
- Total power per area (28.00 m²) 9.64 W/m² (2.26 W/m²/100lx)

COLOR TEMPERATURE GUIDE

2700K	3000K	3500K	4000K	5000K
WARM WHITE	SOFT WHITE GLOW	NEUTRAL GLOW	COOL WHITE GLOW	DAYLIGHT GLOW
friendly personal intimate	soft warm pleasing	sociable inviting non-threatening	neat clean efficient	bright cool alert
HOMES LIBRARIES RESTAURANTS	HOMES HOTEL ROOMS LOBBIES RETAIL STORES	EXECUTIVE OFFICES RECEPTION AREAS SUPERMARKETS	OFFICES CLASSROOMS MASS MERCHANTISERS SHOWROOMS	GRAPHICS INDUSTRY HOSPITALS GALLERIES BEAUTY SALONS
✓	✓	✓	✓	✗