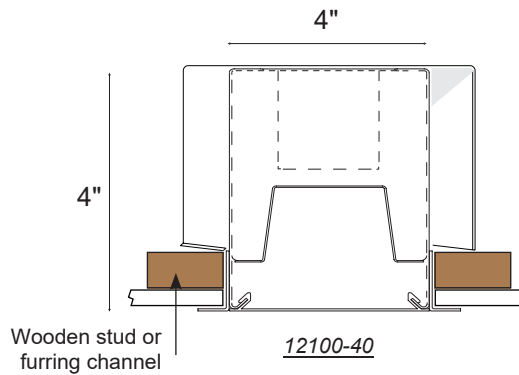
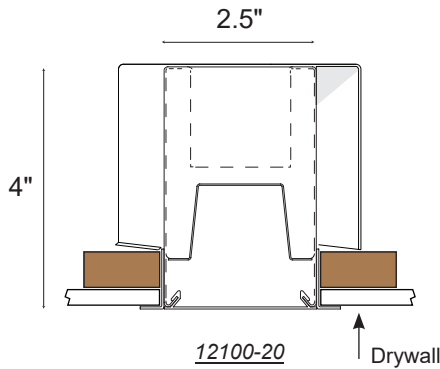
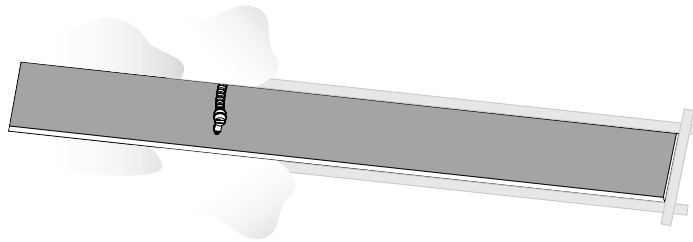


INSTALLATION INSTRUCTIONS



PART LIST

- A: LED module plate
- B: Lens
- C: BX cable connector
- D: Access plate
- E: Safety bracket screw
- F: Safety bracket



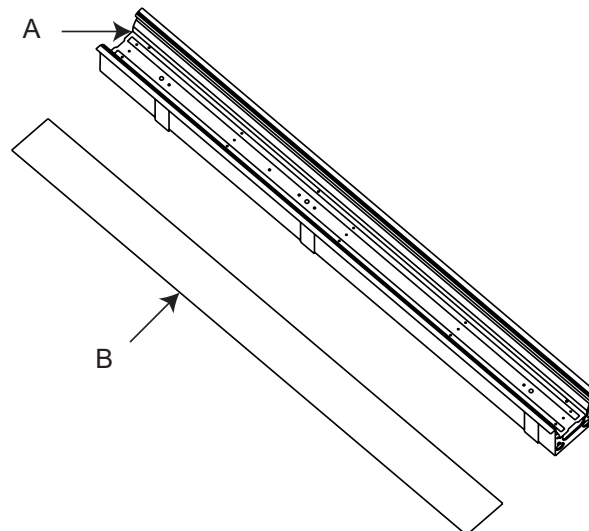
1. Make an opening on Drywall according to the dimensions.

12100-20

- 2FT : 24-3/16" x 2-5/8"
- 3FT : 36-3/16" x 2-5/8"
- 4FT : 48-3/16" x 2-5/8"
- 6FT : 72-3/16" x 2-5/8"
- 8FT : 96-3/16" x 2-5/8"

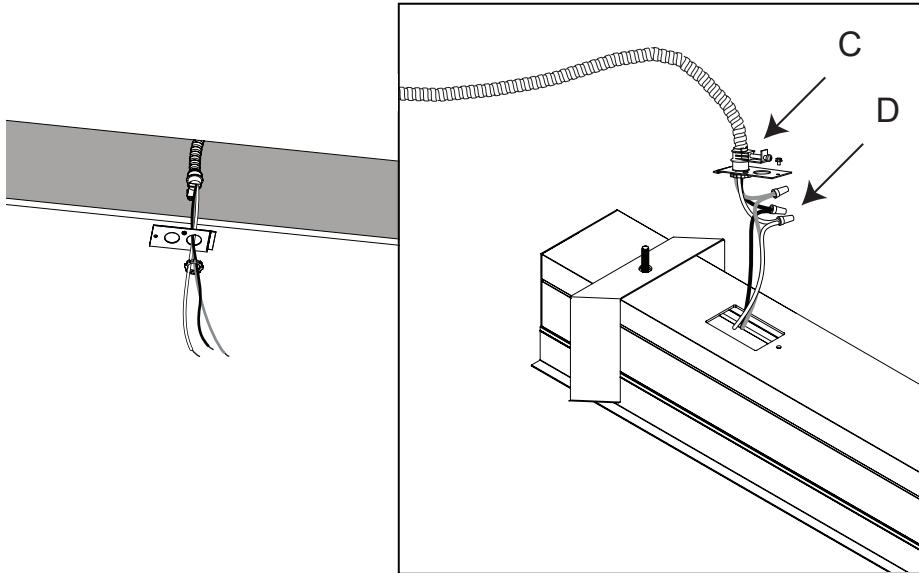
12100-40

- 2FT : 24-3/16" x 4-1/8"
- 3FT : 36-3/16" x 4-1/8"
- 4FT : 48-3/16" x 4-1/8"
- 6FT : 72-3/16" x 4-1/8"
- 8FT : 96-3/16" x 4-1/8"

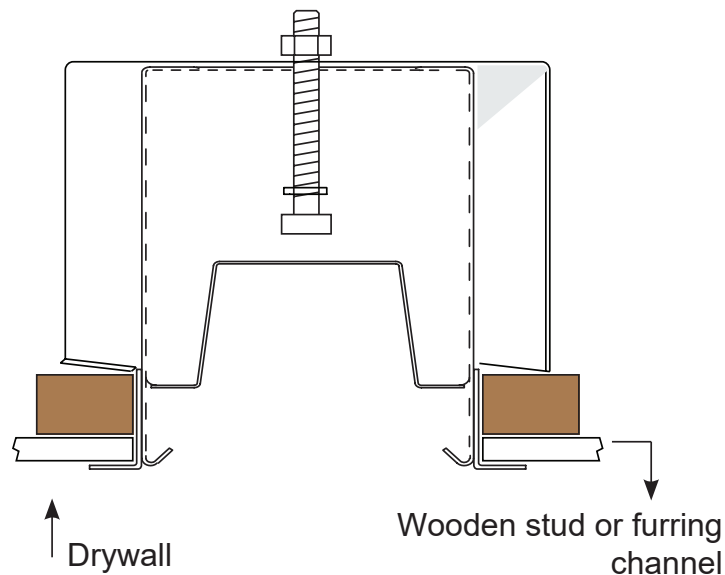


2. Remove Lens(B) and LED module plate(A).

INSTALLATION INSTRUCTIONS

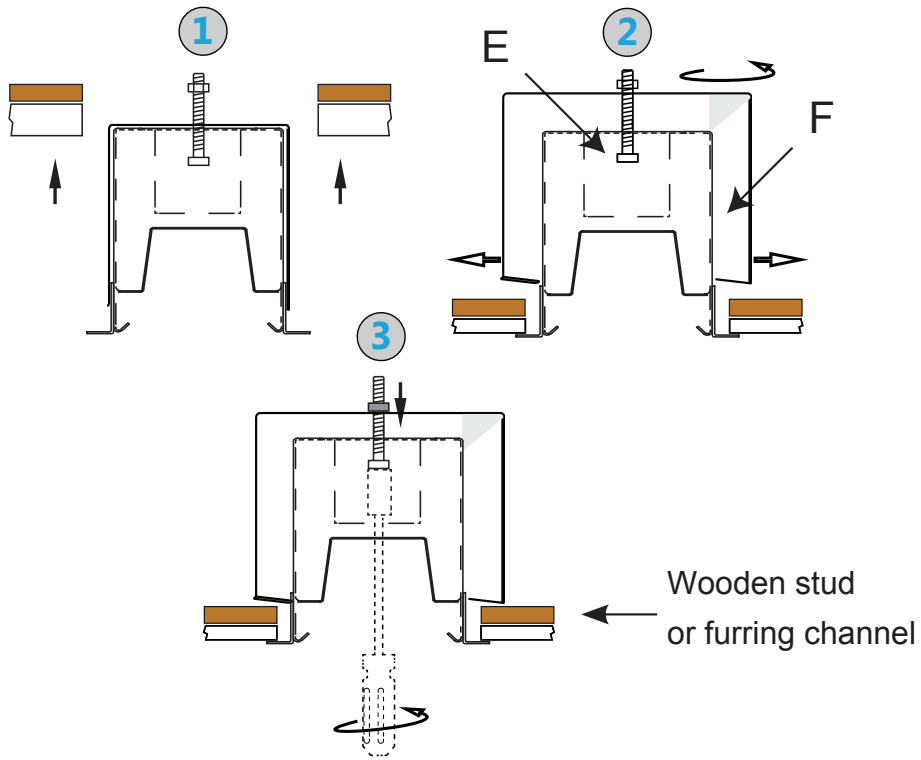


3. Install BX cable connector (C) to access plate (D). Wire BX cable wires to Fixture wires.

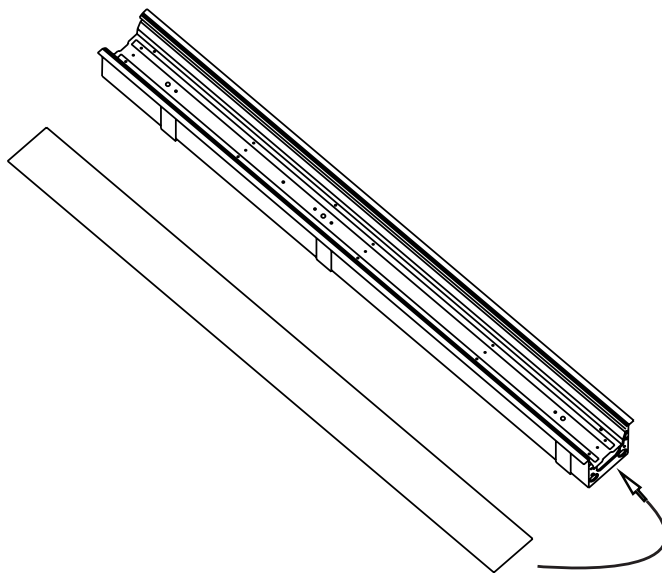


4. Align fixture to pre-cut hole on drywall and insert fixture.

INSTALLATION INSTRUCTIONS



- 5. Push safety bracket screw (E) up to Rotate safety brackets (F) once bracket is correctly align tighten screw to lock Fixture in to drywall ceiling.**



- 6. Reinstall LED module plate and lens.**