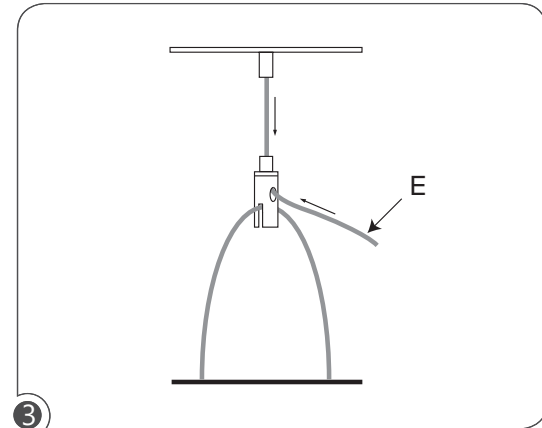
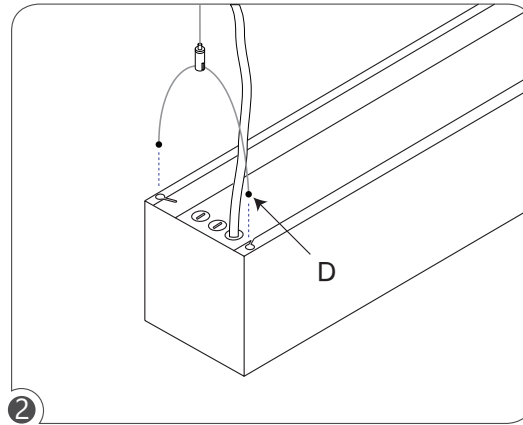
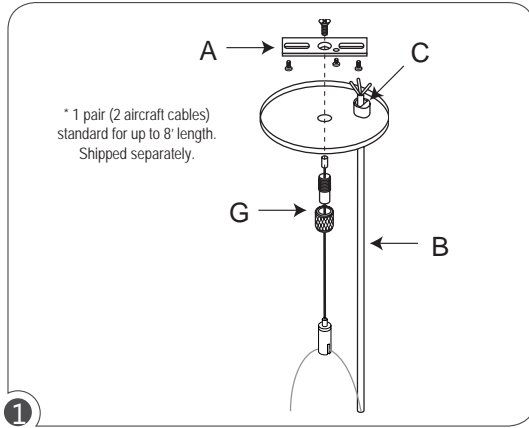


WARNING: RISK OF FIRE AND ELECTRICAL SHOCK. FIXTURE MUST BE INSTALLED BY A QUALIFIED ELECTRICIAN ONLY IN ACCORDANCE WITH NATIONAL, LOCAL BUILDING AND ELECTRICAL CODES. DISCONNECT POWER AT ELECTRICAL PANEL BEFORE SERVICING.

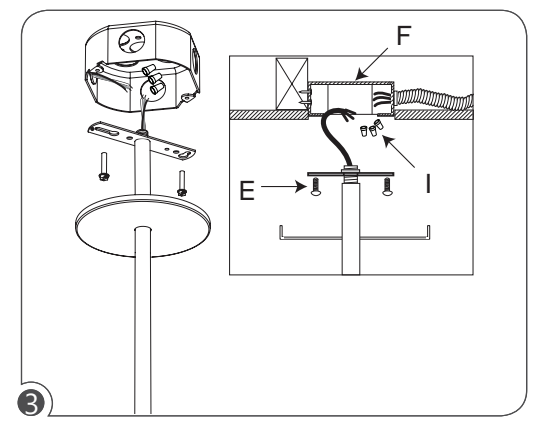
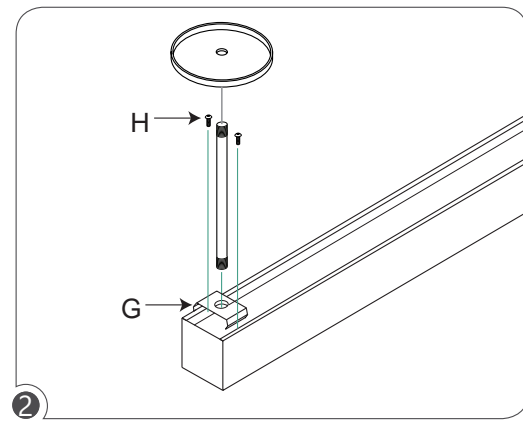
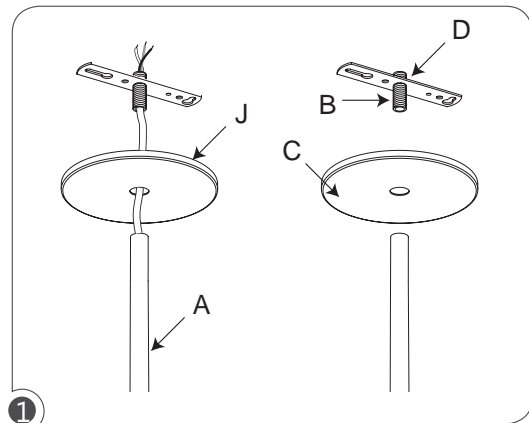
12100-20 | 12100-40 - INSTALLATION INSTRUCTIONS FOR 100% INDIRECT LIGHT

PENDANT

Aircraft Cable:

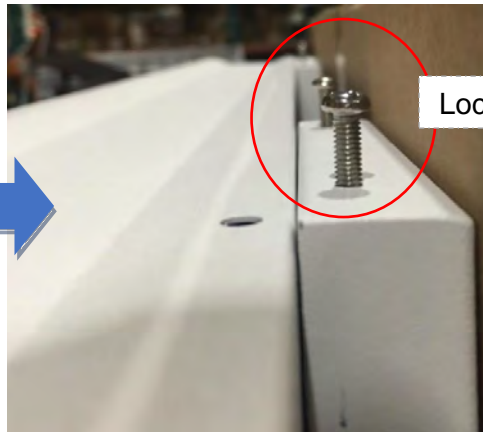


Stem:



FOR WALL

For 100% Indirect Light - Wall Mount: The downlight cover should be installed last after fixing the fixture against the wall using wall mount brackets.



Lock wall mount bracket

Make sure the level of the fixture and wall mount bracket are aligned as shown in this image.

12100-20 | 12100-40 - INSTALLATION INSTRUCTIONS FOR 100% INDIRECT LIGHT



Install the downlight cover following the instructions under #1 on the first page to complete installation.

* Due to the material, it is not recommended to remove the downlight cover once installed.