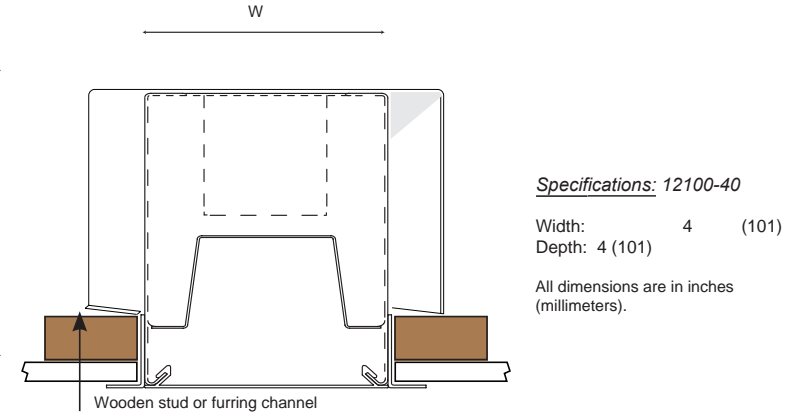
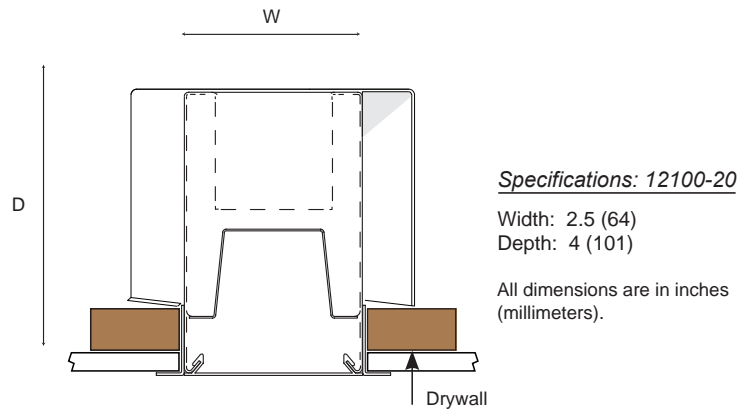
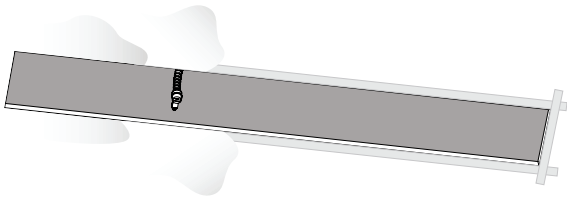


12100-20 | 12100-40 - INSTALLATION INSTRUCTIONS FOR RECESSED DRYWALL 90° MOUNT



● PART LIST

- |                        |                            |
|------------------------|----------------------------|
| A: LED module plate B: | D: Access plate            |
| Lens                   | E: Safety bracket screw F: |
| C: BX cable connector  | Safety bracket             |



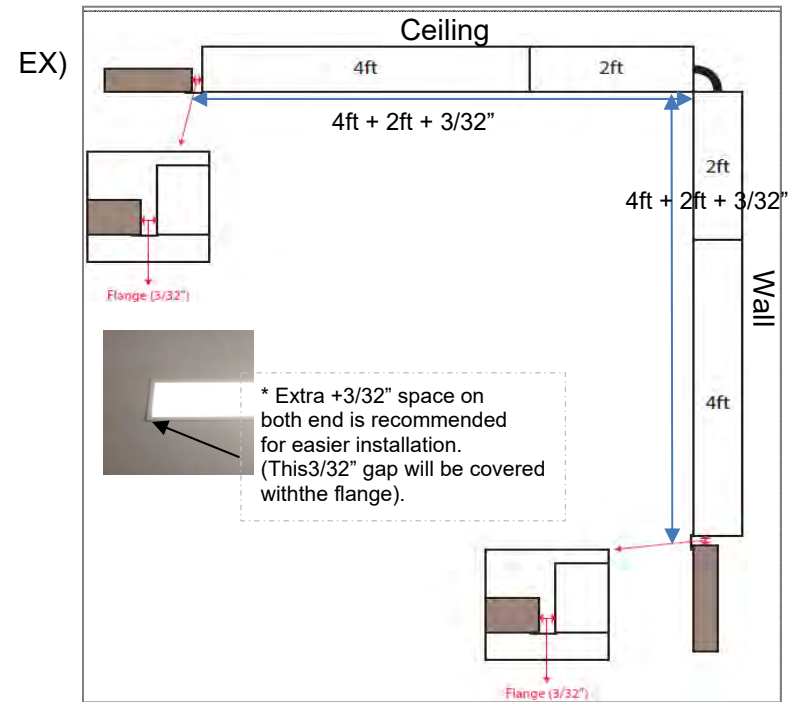
Make opening on ceiling to wall drywall according to dimensions below:

**12100-20**

- (2ft) : 24-3/32" x 2-5/8"
- (3ft) : 36-3/32" x 2-5/8"
- (4ft) : 48-3/32" x 2-5/8"
- (6ft) : 72-3/32" x 2-5/8"
- (8ft) : 96-3/32" x 2-5/8"

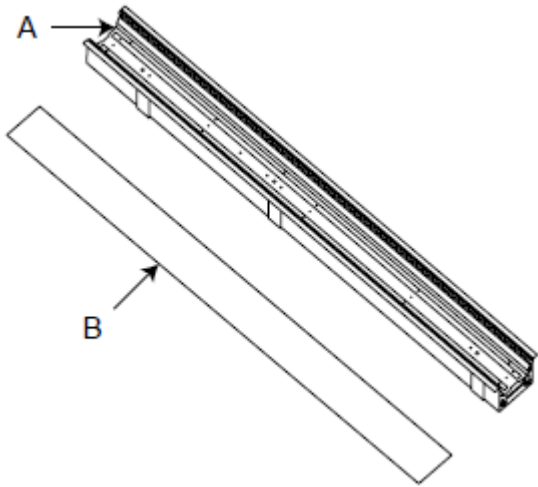
**12100-40**

- (2ft) : 24-3/32" x 4-1/8"
- (3ft) : 36-3/32" x 4-1/8"
- (4ft) : 48-3/32" x 4-1/8"
- (6ft) : 72-3/32" x 4-1/8"
- (8ft) : 96-3/32" x 4-1/8"



## INSTALLATION FOR INDIVIDUAL

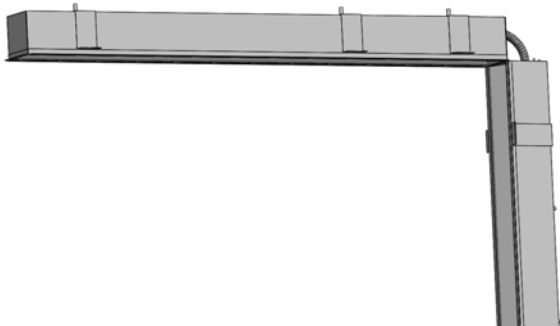
1) Remove Lens (B) and LED module plate (A).



2) Follow any methods for continuous run in the following pages.

- Method 1
- Method 2
- Method 3

3) Reinstall module plate and lens.



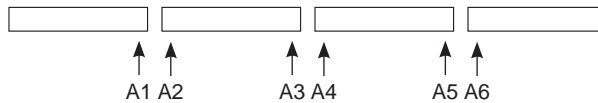
## INSTALLATION FOR CONTINUOUS ROW

### TOOL(S) NEEDED:

Option 1) Cordless drill and an elbow or L-shape adapter with Philips Insert Bit extension.

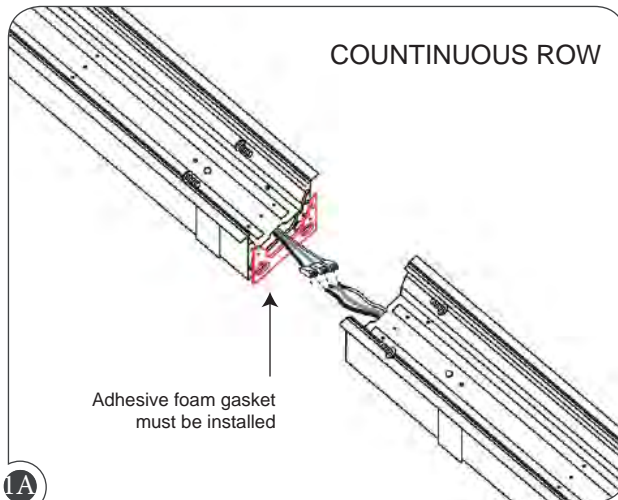


Option 2) Flexible Screwdriver with Philips Insert Bit.



### Continuous Row

Align continuous row fixtures in numerical order under the same alphabet family.

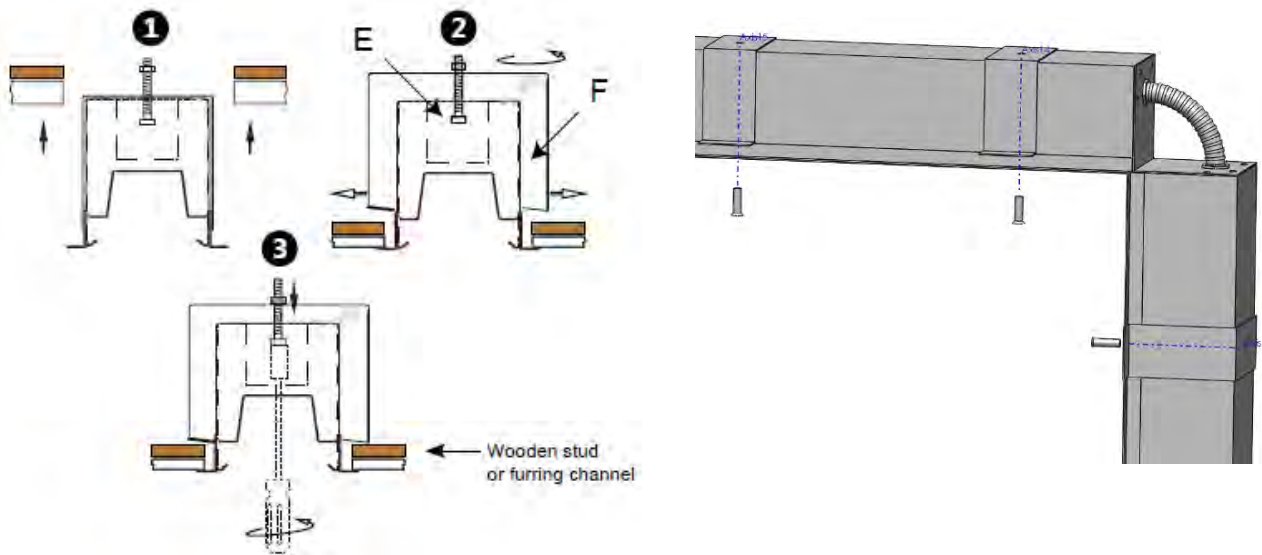


- 1) Make wiring connection from each fixture power supply wires together.
- 2) Align fixtures and screw together with 4 screws(H).

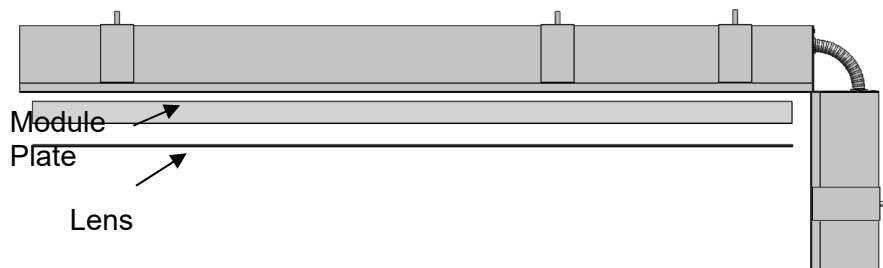


## INSTALLATION FOR CONTINUOUS ROW

- 5) Push safety bracket screw (E) up to rotate safety brackets (F) once bracket is correctly align, then tighten screws to lock fixture into drywall ceiling and wall.



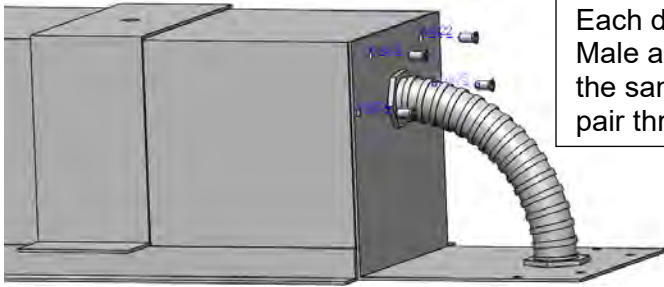
- 6) Reinstall LED module plate and lens.



## INSTALLATION FOR CONTINUOUS ROW

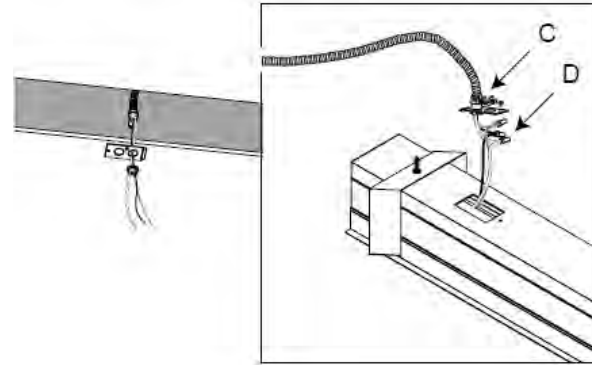
### Method 2:

- 1) Pre-install ceiling end of perpendicular fixture with the connector from outside.

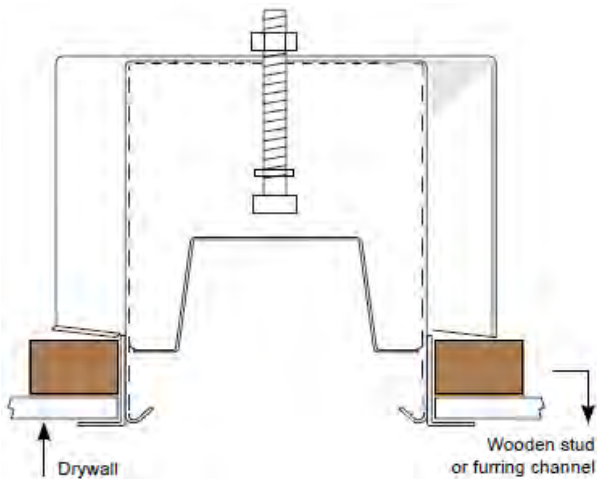


**NOTE:**  
Each disconnectors of Male and Female containing the same colors of wires should pair through the flex whip.

- 2) Install BX cable connector (C) to access plate (D). Wire BX cable wires to fixture wires.

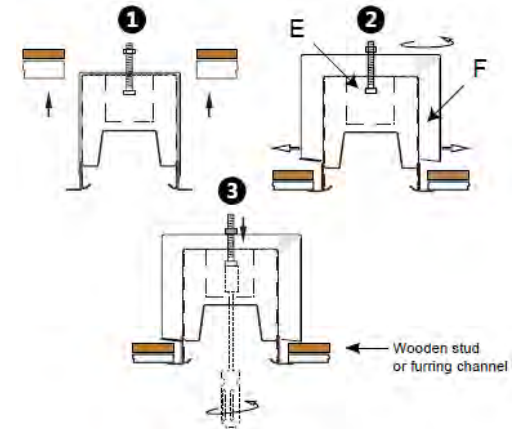
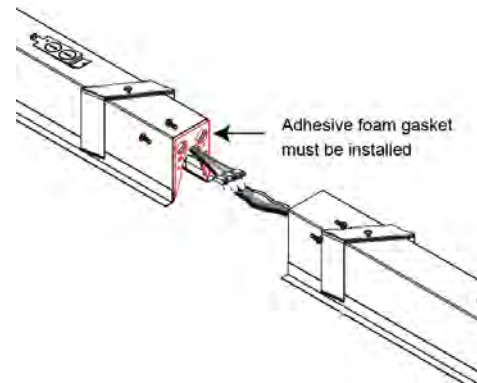


- 3) Align horizontal fixture to pre-cut hole on the ceiling drywall (F) and insert fixture.

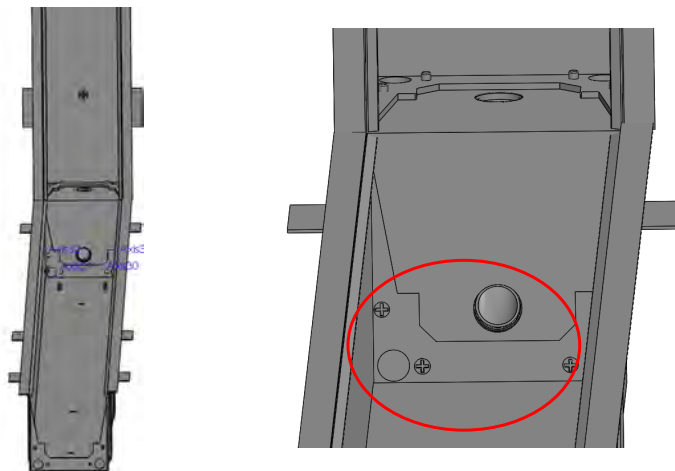


## INSTALLATION FOR CONTINUOUS ROW

4) Push safety bracket screw (E) up to rotate safety brackets once bracket is correctly align, then tighten screw to lock fixtures into ceiling drywall.

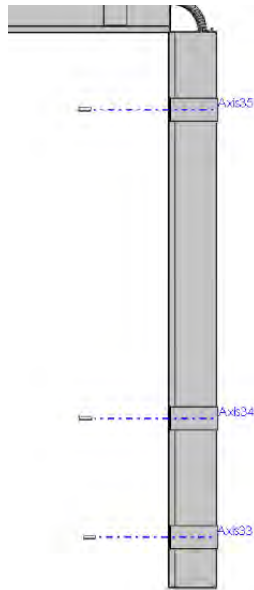


5) Install vertical wall fixture and screw onto the connector from inside.

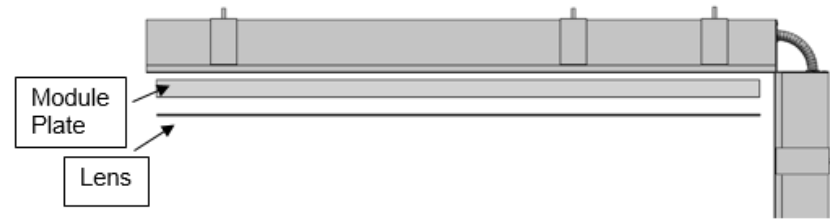


## INSTALLATION FOR CONTINUOUS ROW

6) Repeat step #3 and #4 for the vertical fixture.



7) Reinstall LED module plate and lens.

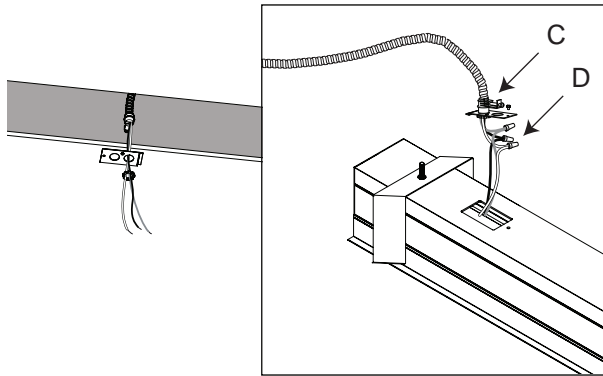




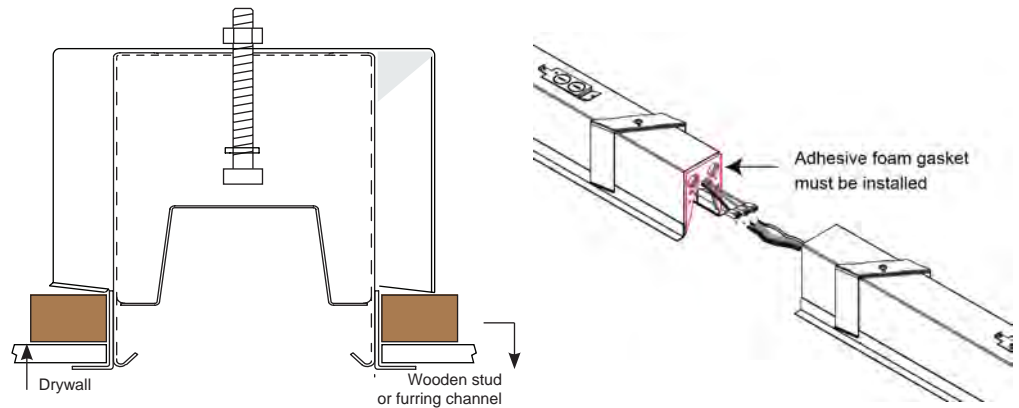
## INSTALLATION FOR CONTINUOUS ROW

### Method 3:

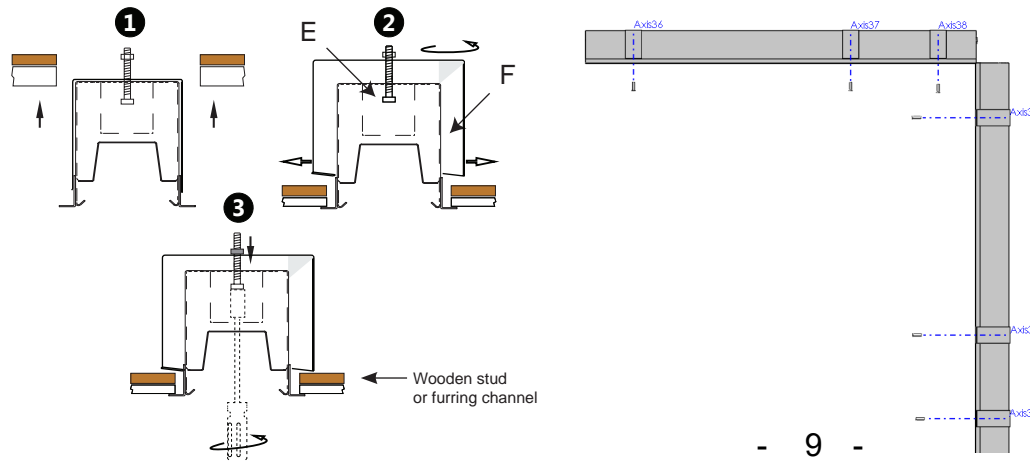
1) Install BX cable connector (C) to access plate (D).  
Wire BX cable wires to fixture wires.



2) Align both horizontal and vertical fixture to pre-cut hole on Drywall and insert fixtures perpendicularly.

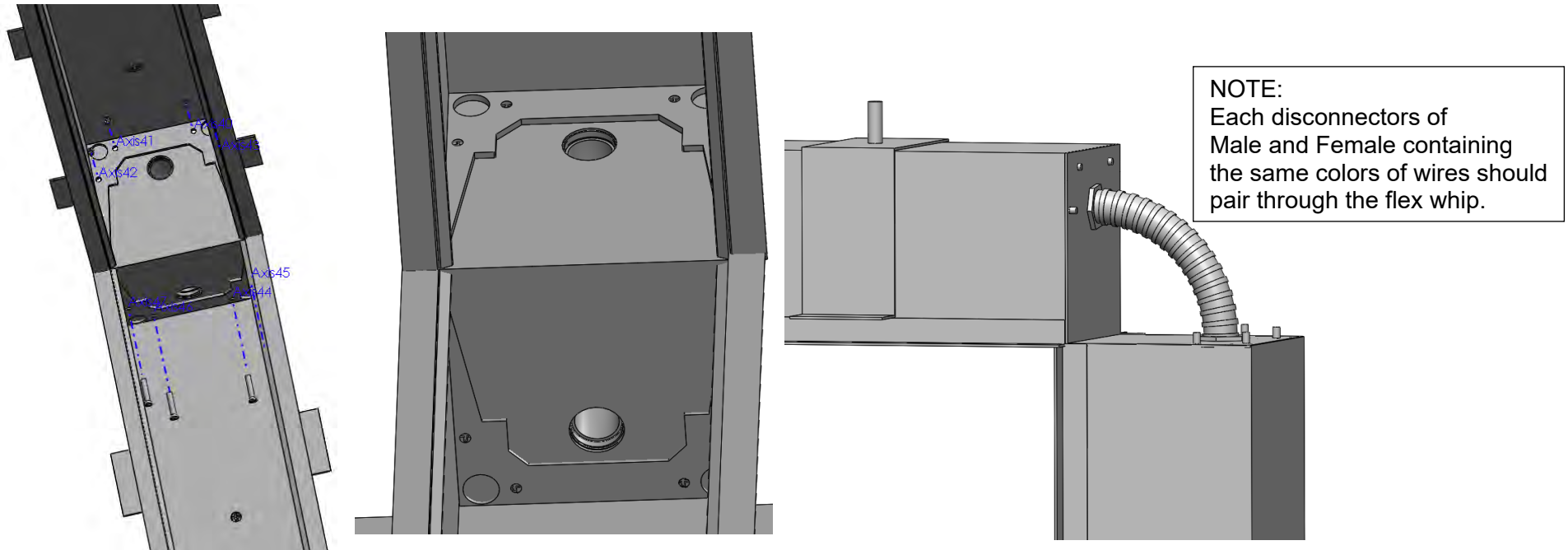


3) Push safety bracket screw (E) up to rotate safety brackets (F). Once bracket is correctly aligned, tighten screw to lock fixtures into drywall both ceiling and wall.



## INSTALLATION FOR CONTINUOUS ROW

4) Install the connector at the perpendicular end (ceiling to wall) from inside.



5) Reinstall LED module plate and lens.

