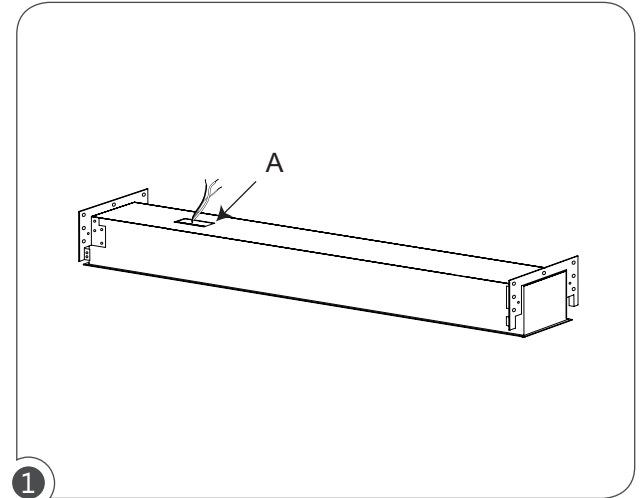
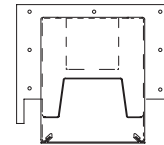
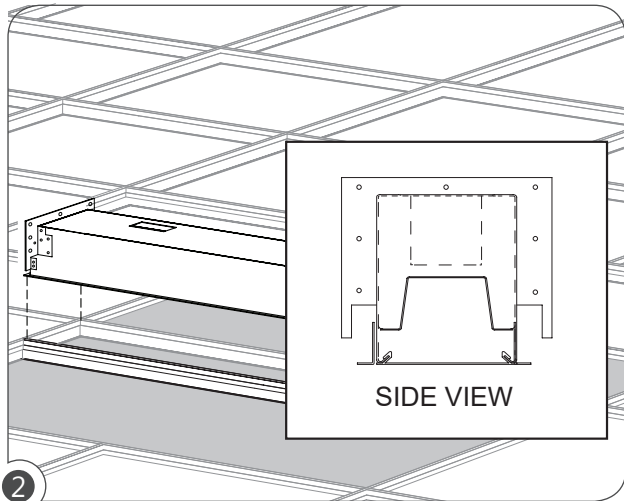


● PART LIST

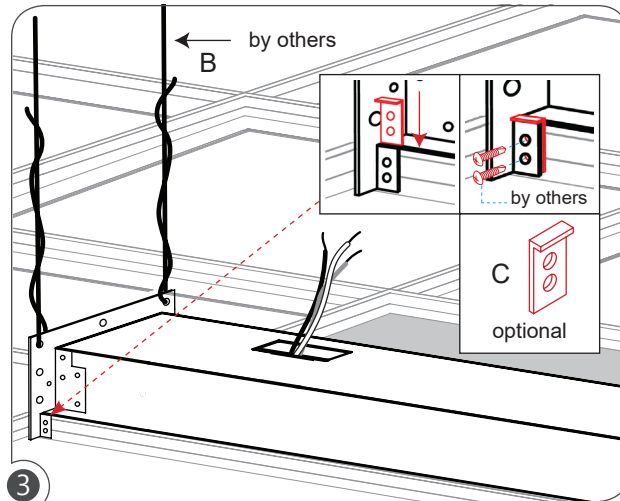
- A: Access plate
- B: Support wire
- C: Bracket (optional)
- D: BX cable connector
- D: BX cable connector
- E: End cap
- F: Wire connectors
- G: Screws



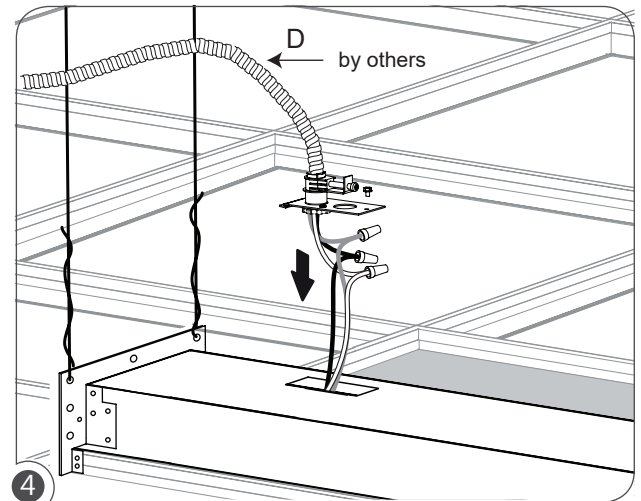
1 Remove access plate(A) and have wires out ready.



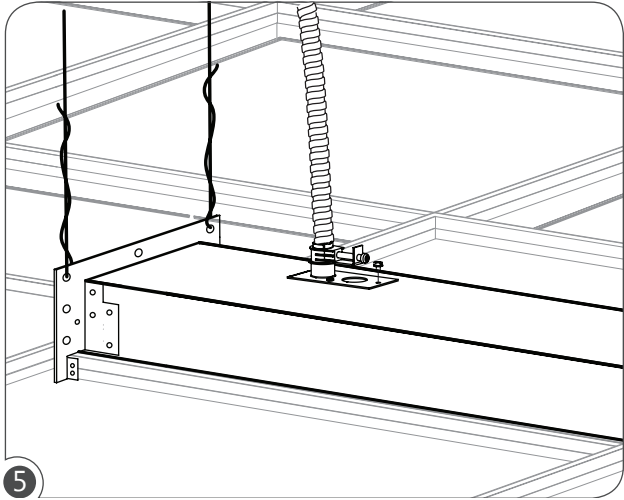
2 T-bar ceiling.



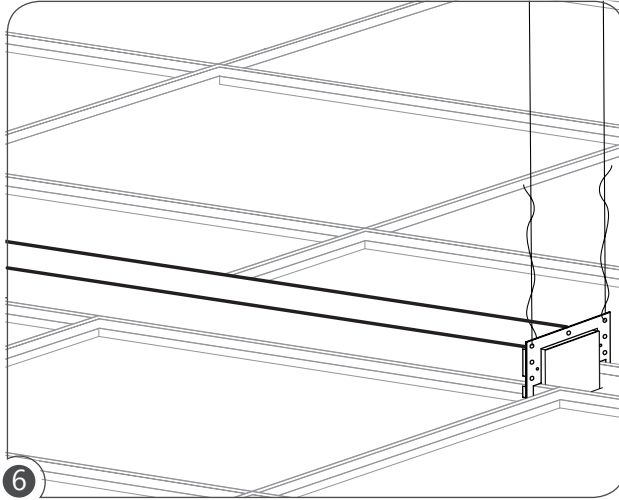
3 bracket(C) in between T-bar grid and Fixture.



4 Connect BX cable connector to access plate

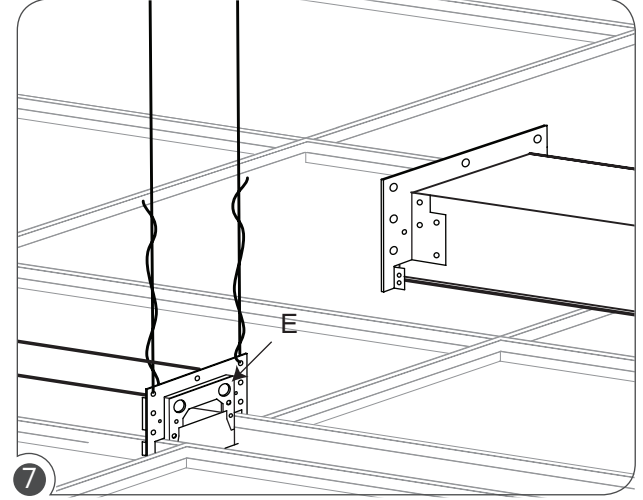


5



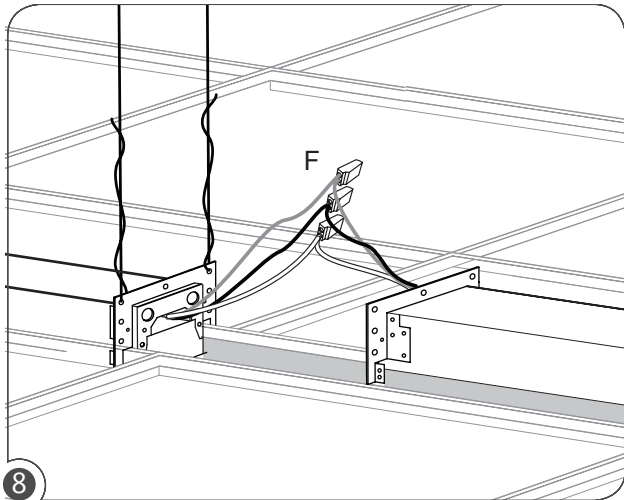
6

support cable and bracket is properly installed between T



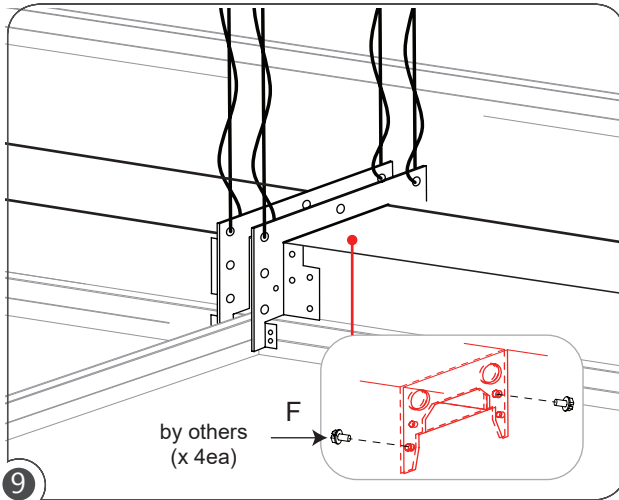
7

Remove end caps(E) for continuous row.



8

running end to end for continuous row with Wire connectors(F).



9

by others
(x 4ea)

F

inside with 4 screws(G).