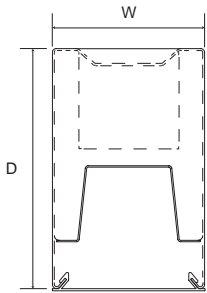


## 12100-20 | 12100-40 - INSTALLATION INSTRUCTIONS FOR SURFACE MOUNT

WARNING:



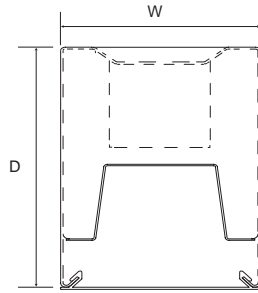
RISK OF FIRE AND ELECTRICAL SHOCK. FIXTURE MUST BE INSTALLED BY A QUALIFIED ELECTRICIAN ONLY IN ACCORDANCE WITH NATIONAL, LOCAL BUILDING AND ELECTRICAL CODES. DISCONNECT POWER AT ELECTRICAL PANEL BEFORE SERVICING.



**Specifications: 12100-20**

Width: 2.5 (64)  
Depth: 4 (101)

All dimensions are in inches (millimeters).



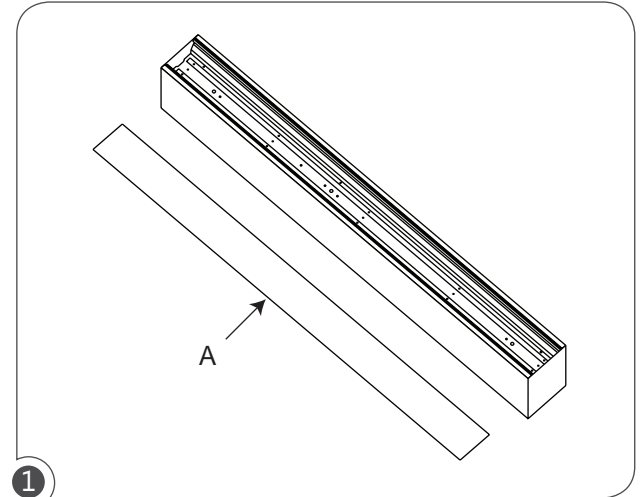
**Specifications: 12100-40**

Width: 4 (101)  
Depth: 4 (101)

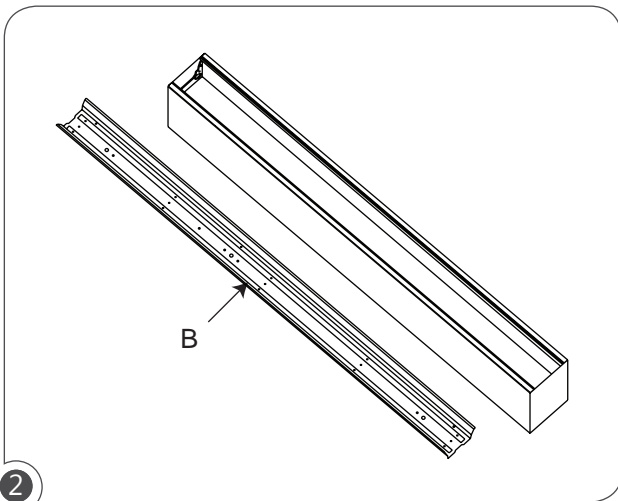
All dimensions are in inches (millimeters).

### ● PART LIST

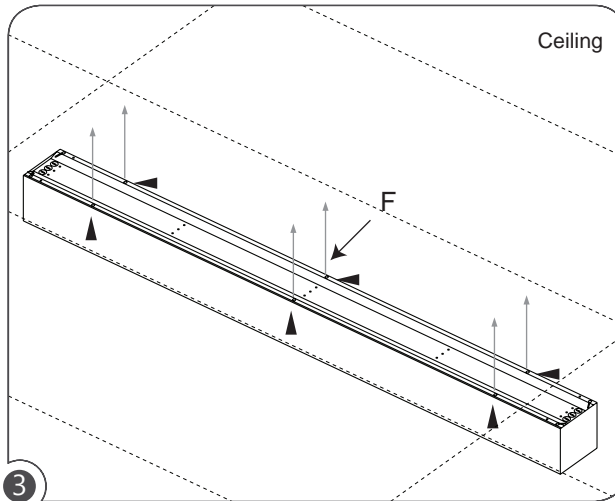
- |                       |                               |
|-----------------------|-------------------------------|
| A: Lens               | D: Self-drilling anchor screw |
| B: LED module plate   | E: Washer                     |
| C: BX cable connector | F: J-box                      |
|                       | G: Screws                     |



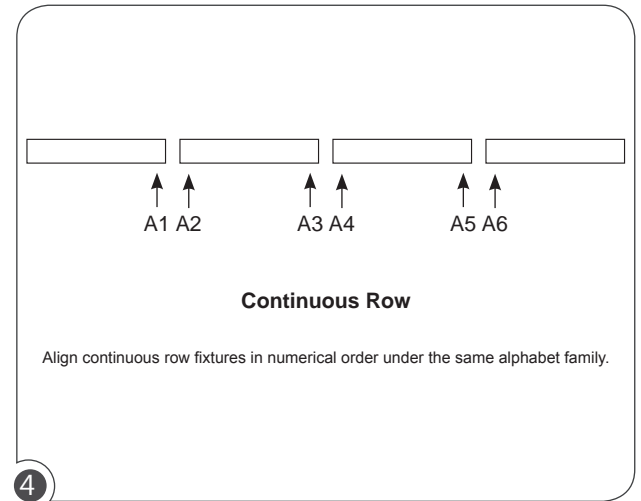
1 Remove lens (A).



2 Remove LED module plate (B).

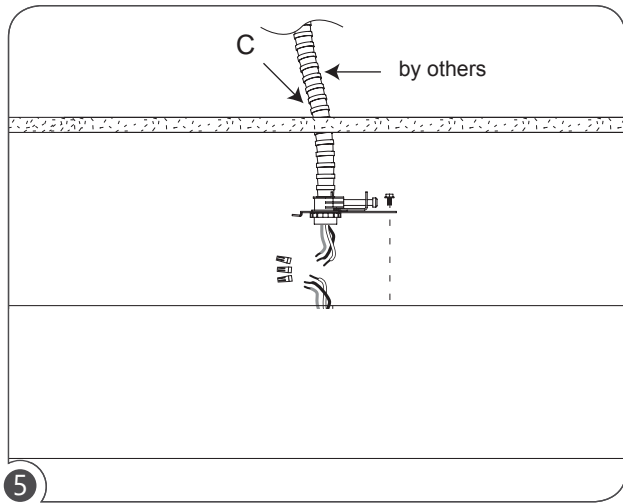


3 Align fixture to ceiling to mark holes and locate J-box (F).

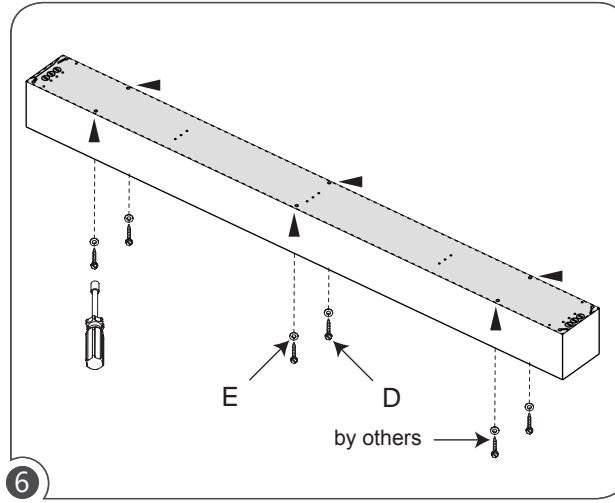


4 Refer to [4A, 4B] on the last page for detailed installation instructions.

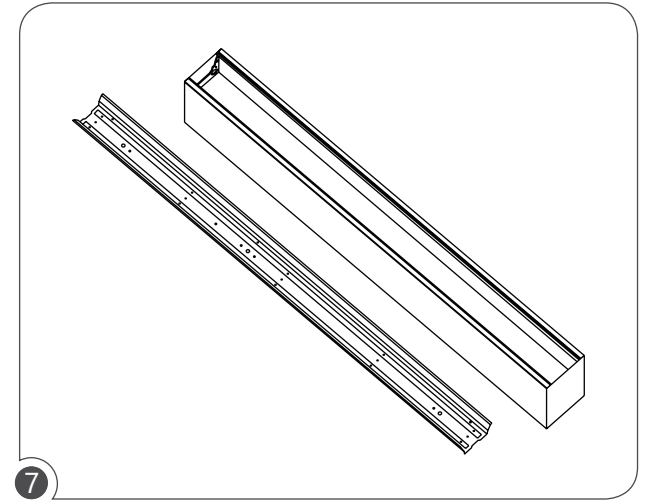
12100-20 | 12100-40 - INSTALLATION INSTRUCTIONS FOR SURFACE MOUNT



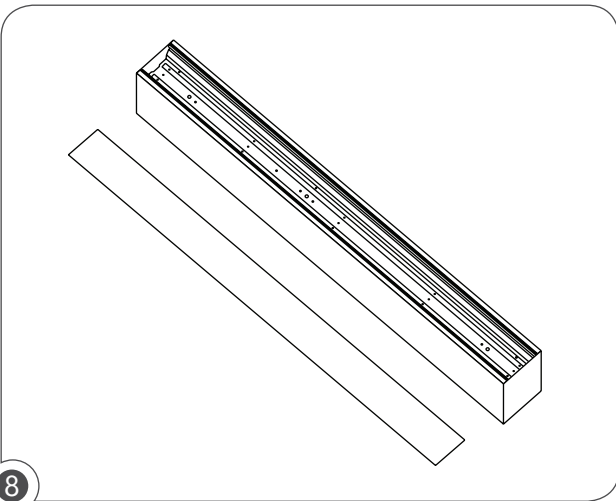
5 Knockout hole for BX cables(C) and make wire connection to Fixture wires.



6 Screw fixture to ceiling using Self-Drilling Spiral Anchors(D) with washer(E).



7 Install LED module plate.



8 Close Lens.

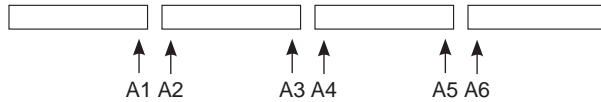
12100-20 | 12100-40 - INSTALLATION INSTRUCTIONS FOR SURFACE MOUNT

**CONTINUOUS ROW**

TOOL(S) NEEDED:

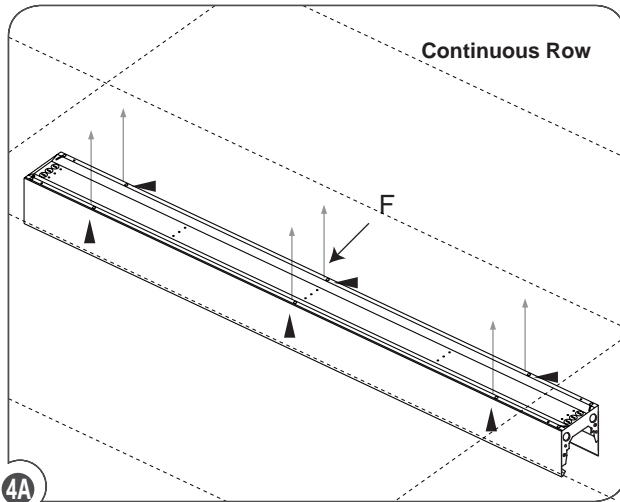
Option 1) Cordless drill and an elbow or L-shape adapter with Philips Insert Bit extension.

Option 2) Flexible Screwdriver with Philips Insert Bit.

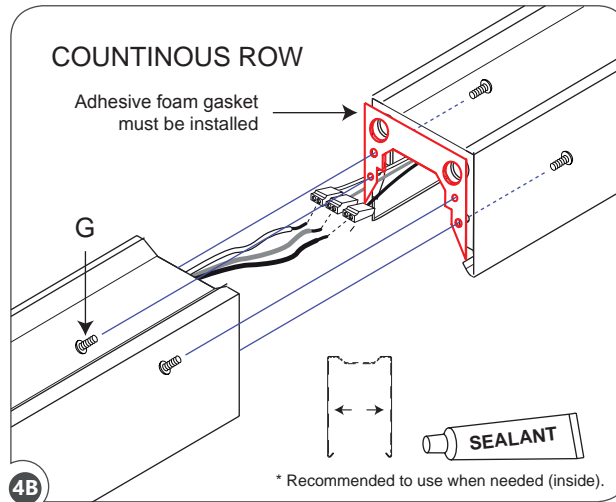


**Continuous Row**

Align continuous row fixtures in numerical order under the same alphabet family.



Align all continuous fixtures to ceiling to mark holes and locate J-box(F).



- 1) Make wiring connection from each fixture power supply wires together.
- 2) Align fixtures and screw together with 4 screws(G).

